



BL 550

Dillon's Basic Loader
Instruction Manual
September 2010

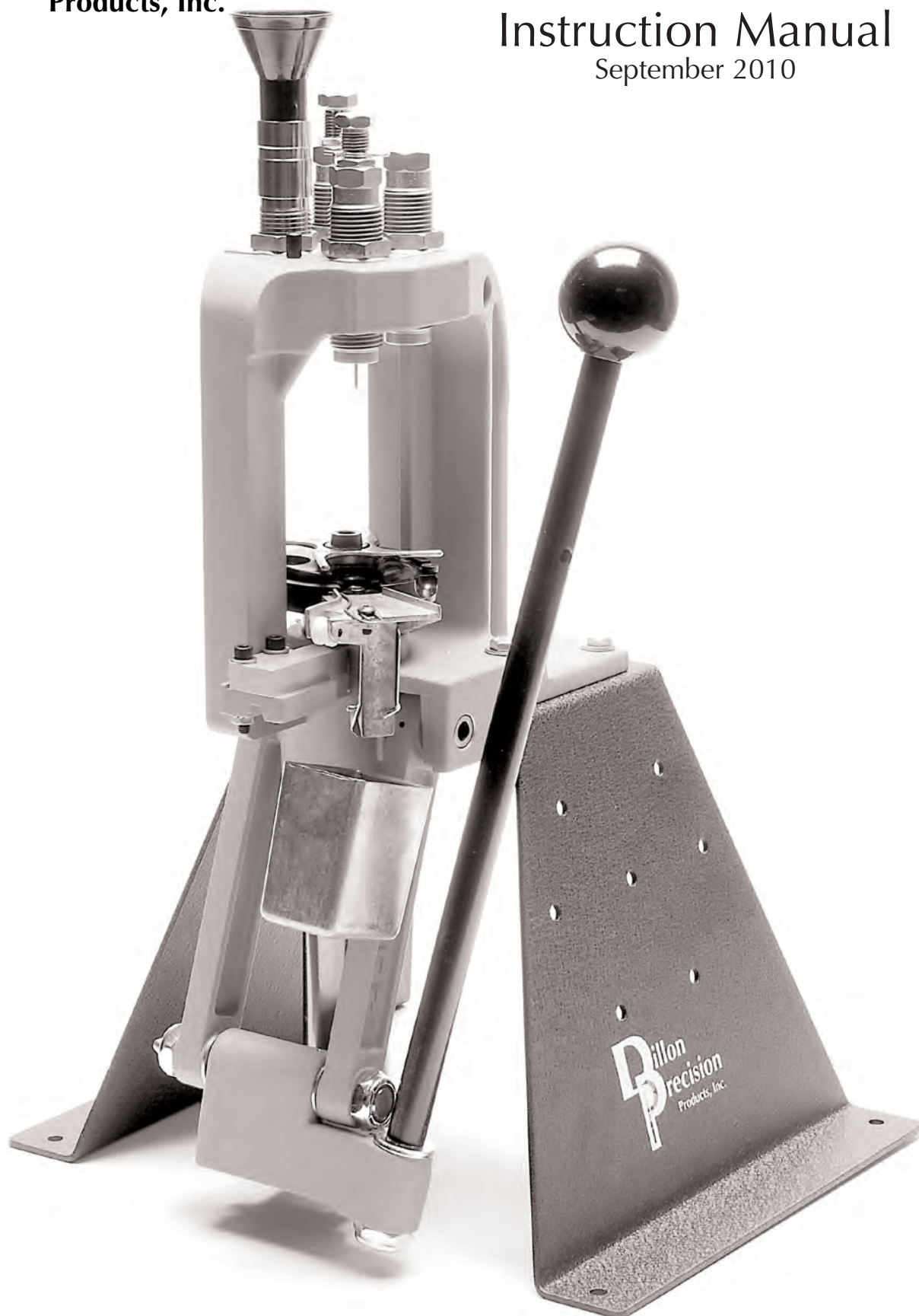


Table of Contents

Subject	Page #
BL 550 Parts List	2
BL 550 Machine Schematic	3
Minimum Equipment to Begin Reloading	4
Reloading Safety	4
Parts List	4
Mounting the BL 550 to Your Bench	5
Configuring the BL 550	5
Installing the Caliber Conversion	6
Changing Primer Size	7
The Toolhead	8
Setting Up to Load Rifle Ammunition	8
Setting Up to Load Pistol Ammunition	11
The Reloading Process	13
BL 550 Upgrades and Accessories	15
Caliber Conversion Charts	16-18
Caliber Cross Reference Chart	15

Dillon Precision Products, Inc.
8009 E. Dillon's Way
Scottsdale, AZ 85260
(480) 948-8009
(480) 998-2786 FAX

For Technical Assistance
or to place an order call: 800-223-4570

For an issue of *The Blue Press*
call: 800-762-3844

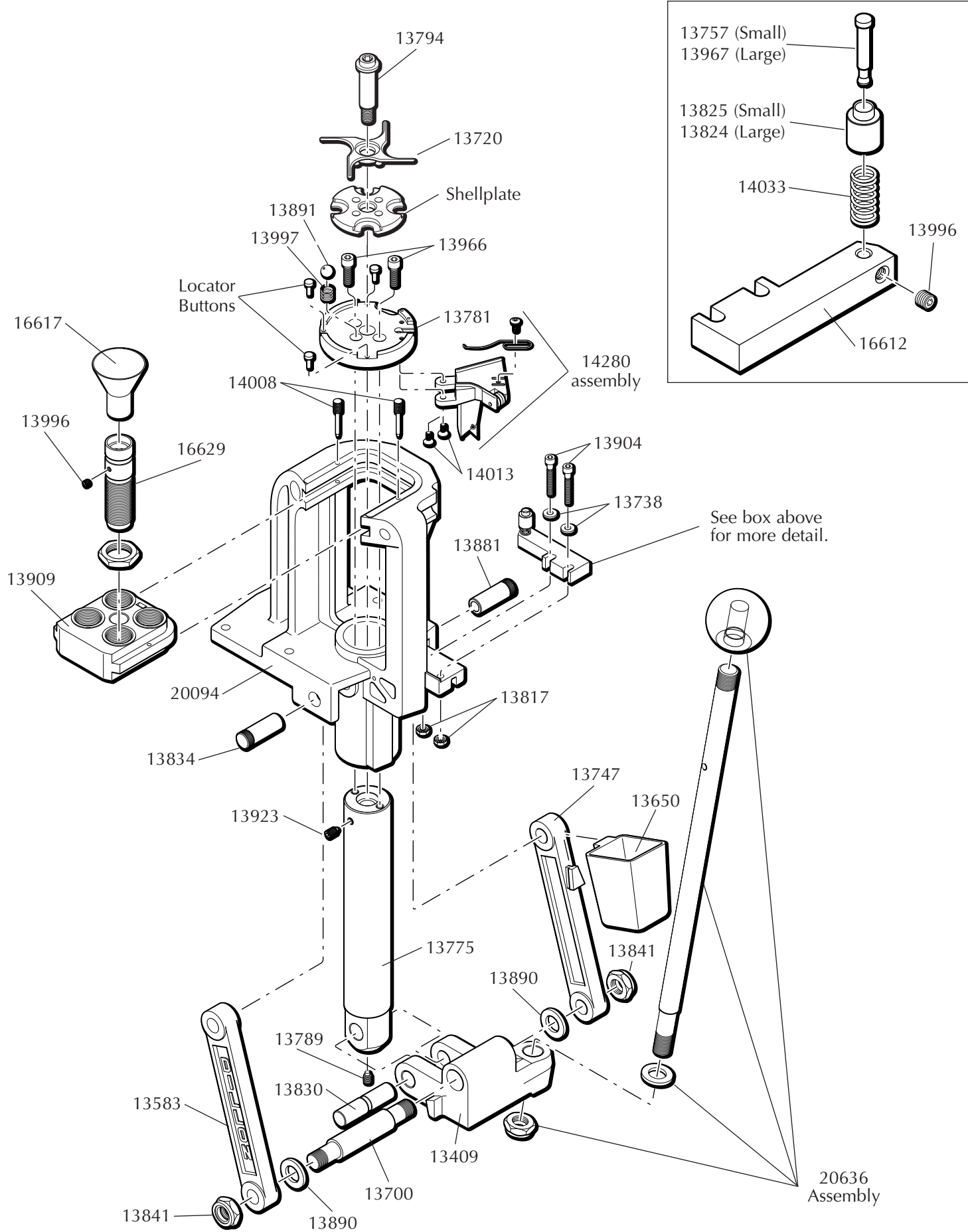
For additional product information,
see our website at:
www.dillonprecision.com

BL 550 Parts List

Part #	Description
13409	Crank
13435	1/4" Hex Wrench
13583	Link Arm, Left
13593	5/32" Hex Wrench
13650	Spent Primer Cup
13700	Link Arm Pin
13720	Index Sprocket
13728	1/8" Hex Wrench
13738	Rod Washer, #10
13747	Link Arm w/ Hook, Right
13757	Seating Punch, Small
13775	Main Shaft
13781	Platform
13789	Main Shaft Pin Set Screw
13794	Shellplate Bolt
13817	10-32 Kep Nut
13824	Primer Cup, Large
13825	Primer Cup, Small
13830	Main Shaft Pivot Pin
13834	Solid Link Arm Pin, Left
13841	Nylock Nut
13881	Hollow Link Arm Pin, Right
13886	3/32" Hex Wrench
13890	Spring Washer
13891	Index Ball
13904	Bellcrank Bolt
13909	Toolhead
13923	Brass Tip Set Screw
13966	Platform Mount Bolt
13967	Seating Punch, Large
13996	10-32 x 3/16 Set Screw
13997	Index Ball Spring
14008	Toolhead Pin
14013	Roller Bracket Screw
14033	Primer Cup Spring
14280	Roller Bracket Assembly
13719	Cartridge Spring Screw
13926	Cartridge Spring
16609	Conversion Kit
16612	Primer Punch Holder
16617	Plastic Funnel
16629	Powder Die
20094	Frame
20636	Handle, Knob & Nut Assembly

Not all items are shown in schematic illustration.

BL 550 Schematic



Suggested Minimum Equipment to Begin Reloading (Figure 1)

- 1) Powder scale
 - 2) Dies
 - 3) Loading manual
 - 4) Case lubricant (for bottlenecked cases)
 - 5) Safety glasses
 - 6) Primer flip tray*
 - 7) Dial calipers*
- (*Not absolutely essential, but pretty handy.)



Figure 1– Minimum equipment needed to begin reloading.

Reloading Safety

At this point you're anxious to finish your assembly and start cranking out rounds. But for your own safety, stop now and read the following:

Reloading small arms ammunition involves the use of highly explosive primers and powder. Handling these materials is inherently dangerous. You should recognize this danger and take certain minimum precautions to lessen your exposure to injury.

Never operate the machine without ear and eye protection on. Call our customer service department at 800-223-4570 for information on the wide variety of shooting/safety glasses and hearing protection that Dillon has to offer.

- **PAY ATTENTION:** Load only when you can give your complete attention to the loading process. Don't watch television or try to carry on a conversation and load at the same time. Watch the automatic systems operate and make sure they are functioning properly. If you are interrupted or must leave and come back to your loading, always inspect the cases at every station to insure that the proper operations have been accomplished.
- **SMOKING:** Do not smoke while reloading or allow anyone else to smoke in your reloading area. Do not allow open flames in reloading area.
- **SAFETY DEVICES:** Do not remove any safety devices from your machine or modify your machine in any way.
- **LEAD WARNING:** Be sure to have proper ventilation

while handling lead components or when shooting lead bullets. Lead is known to cause birth defects, other reproductive harm and cancer. Wash your hands thoroughly after handling anything made of lead.

- **LOADS AND LENGTHS:** Avoid maximum loads and pressures at all times. Use only recommended loads from manuals and information supplied by reliable component manufacturers and suppliers. Since Dillon Precision has no control over the components which may be used on their equipment, no responsibility is implied or assumed for results obtained through the use of any such components.

Seat bullets as close to maximum cartridge length as possible. Under some conditions, seating bullets excessively deep can raise pressures to unsafe levels. Refer to a reliable loading manual for overall length (OAL).

- **QUALITY CHECKS:** Every 50-100 rounds, perform periodic quality control checks on the ammunition being produced. Check the amount of powder being dropped and primer supply.
- **MODIFICATIONS:** Any modifications performed to a machine, or the addition of any unapproved equipment from other manufacturers will void the warranty.
- **RELOADING AREA:** Keep your components safely stored. Clear your work area of loose powder, primers and other flammables before loading.
- **COMPONENTS:** Never have more than one type of powder in your reloading area at a time. The risk of a mix-up is too great. Keep powder containers closed.

Be sure to inspect brass prior to reloading for flaws, cracks, splits or defects. Throw these cases away.

Keep components and ammunition out of reach of children.

- **BLACK POWDER:** Do not use black powder or black powder substitutes in any Dillon powder measure. Loading black powder cartridges requires specialized loading equipment and techniques. Failure to do so can result in severe injury or death.
- **PRIMERS:** Never force primers. If they get stuck in the operation of the machine, disassemble it and gently remove the obstruction.

Never attempt to clear primers that are stuck in either the primer pickup tube or the primer magazine tube. Never, under any circumstances, insert any type of rod to attempt to force stuck primers out of these tubes. Trying to force primers out of the tube will cause the primers to explode causing serious injury or even death.

If primers get stuck in a primer magazine or pickup tube flood the tube with a penetrating oil (WD-40), throw the tube in the garbage and call us for a free replacement.

Never attempt to deprime live primers – eventually one will go off. When it does it will detonate the others in the spent primer cup. Depriming live primers is the single most dangerous thing you can do in reloading and can cause grave injury or death.

- **LOADED AMMUNITION:** Properly label all of your loaded ammunition (Date, Type of Bullet, Primer, Powder, Powder Charge, etc.).

- **BE PATIENT:** Our loading equipment is conservatively rated and you should have no trouble achieving the published rates with a smooth, steady hand. If something doesn't seem right, stop, look and listen. If the problem or the solution isn't obvious, call us. The reloading bench is no place to get into a hurry.

We have done everything we know how to make your machine as safe as possible. We cannot, however, guarantee your complete safety. To minimize your risk, use common sense when reloading and follow these basic rules.

- **REMEMBER:** If your machine does not perform to your expectations, or if you are having technical difficulties, give us a call. Technical Support 800-223-4570 or visit our troubleshooting page online at www.dillonprecision.com

All electrical/electronic components in Dillon equipment are covered by a one-year warranty.

- **MODIFICATIONS:** Any modifications performed to your machine, or the addition of any unapproved equipment from other manufacturers will void the warranty.

Your BL 550 comes complete with:

- BL 550 Machine
- Operating Handle Assembly including: Handle Shaft, Handle Knob, Nylock Nut and Washer
- Accessory Bag including: (Figure 2) Spent Primer Cup; Small Primer Cup and Pin (Note: *The Large Primer Assembly comes installed in the machine.*); Brass Tip Set Screw; Shellplate Bolt; Index Ball Spring; 3/8" Index Ball; 3/32", 1/8", 5/32", 3/16", and 1/4" Hex Wrenches; Index Sprocket; Plastic Funnel; and Powder Die with Lock Ring. Double-check now to make sure all the parts needed are present.

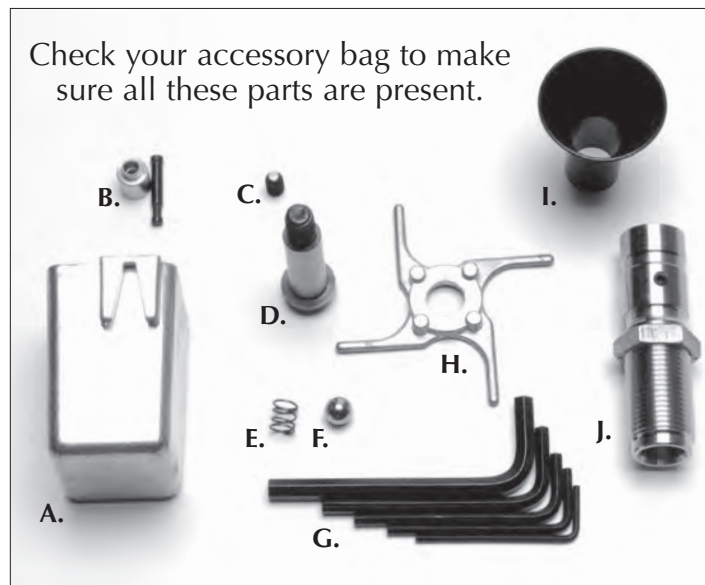


Figure 2 – A) Spent Primer Cup B) Small Primer Cup and Pin C) Brass Tip Set Screw D) Shellplate Bolt E) Index Ball Spring F) 3/8" Index Ball G) Hex Wrenches H) Index Sprocket I) Plastic Funnel J) Powder Die with Lock Ring.

Mounting the BL 550 to Your Bench

Place your BL 550 on the edge of a sturdy bench or table where you plan to mount it. Give yourself about 12 inches of work space on each side of the machine to allow room for components.

Using the machine itself as a template, mark and drill four 1/4" holes in your bench and bolt your BL 550 securely to it. (Figure 3)

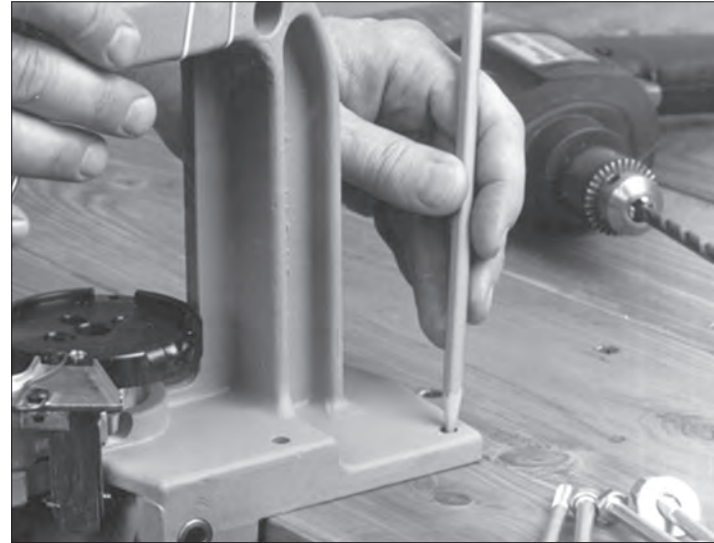


Figure 3 – Using the reloader as a template to mark your bench.

Avoid using wood or lag screws to mount your reloader to the bench. These types of screws can loosen over time.

Configuring the BL 550

Install the handle and spent primer cup. (Figure 4)

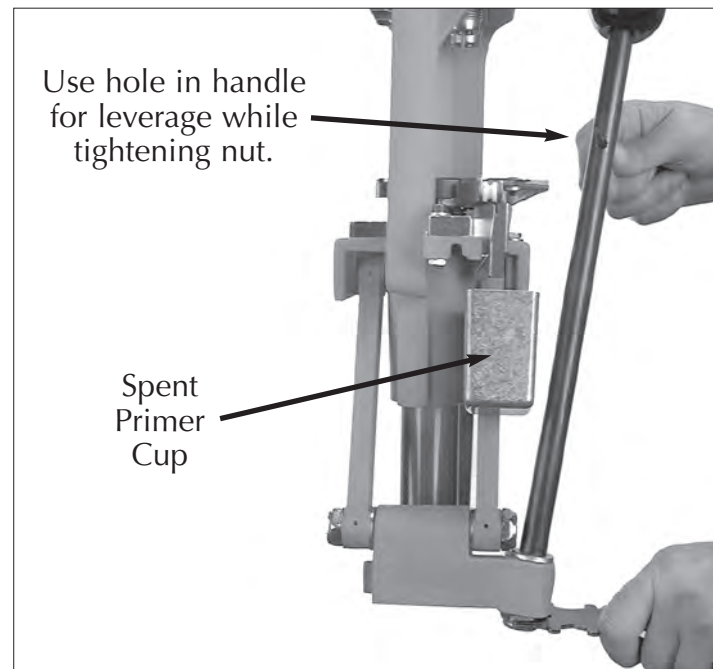


Figure 4 – Installation of the handle and spent primer cup.

Installing the Caliber Conversion



Figure 5 – This photo shows a complete caliber conversion; the powder funnel, shellplate and locator buttons.

Now that everything is bolted down and you understand the safety precautions, you can proceed.

First, decide what caliber you want to reload and take the shellplate (*#20079) from the caliber conversion box, Figure 5. Now, find the following in your accessory bag: index ball (#13891), shellplate bolt (#13794), index ball spring (#13997), brass-tipped set screw (#13923), and index sprocket (#13720).



Figure 6 – This photo shows the index ball spring and index ball being placed in the platform.

Insert the index ball spring (#13781) in the platform as shown in Figure 6. Next set the index ball on top of the index ball spring. Now place the shellplate (number up) over the index ball spring and index ball, Figure 7.

Place the index sprocket on top of the shellplate (making sure the locator posts go into the corresponding holes in the shellplate, see Figure 8).

Next, insert the shellplate bolt through the sprocket and plate and into the center hole of the platform, Figure 9. Tighten with the supplied Allen wrench to the point where you are unable to turn the sprocket by hand. Now, back off the bolt slightly, allowing you to push the sprocket easily

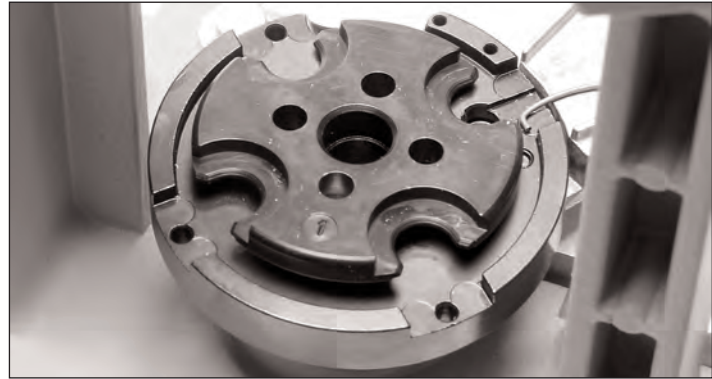


Figure 7 – Showing the shellplate in its proper position with the shellplate number up.

with your thumb, Figure 10. There should be no looseness or slop at this point and when you rotate the plate, you should be able to feel and hear the index ball “click” into place under the shellplate.



Figure 8 – This photo shows the index star in its proper position: the locating tabs centered in the shellplate.

Take the brass-tipped set screw (#13923) insert and tighten securely in the tapped hole beneath the platform on the left side of the main shaft, Figure 11. This will keep the shellplate from tightening as you use the machine. This screw must be loosened when changing calibers, something that is often forgotten as it's out of sight.



Figure 9 – Inserting the shellplate bolt, first through the index sprocket then the shellplate.

In your caliber conversion box, you will find three brass locator buttons. These simply drop into the three remaining holes in the platform, Figure 10. These “buttons” hold the cases securely in place while you are reloading, but by removing them, allow you to take out a troublesome case, should that occur in your reloading process.



Figure 10 - This photo shows the proper method of indexing the shellplate and the proper installation of the locator buttons.

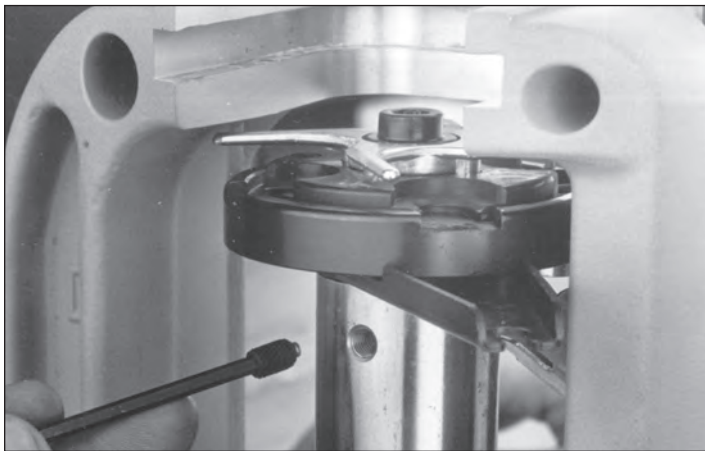


Figure 11 - Insert the brass tipped set screw (#13923) and tighten securely.

Changing Primer Size

Your BL 550 has been shipped to you with the large primer bar installed and correctly adjusted to feed large primers. If the caliber you have selected requires small primers, you must change to the small primer cup and pin. Do this by loosening the set screw and removing the large primer cup and pin from the primer bar. Install the small primer cup and pin. (Figure 12) Do not tighten the set screw yet.

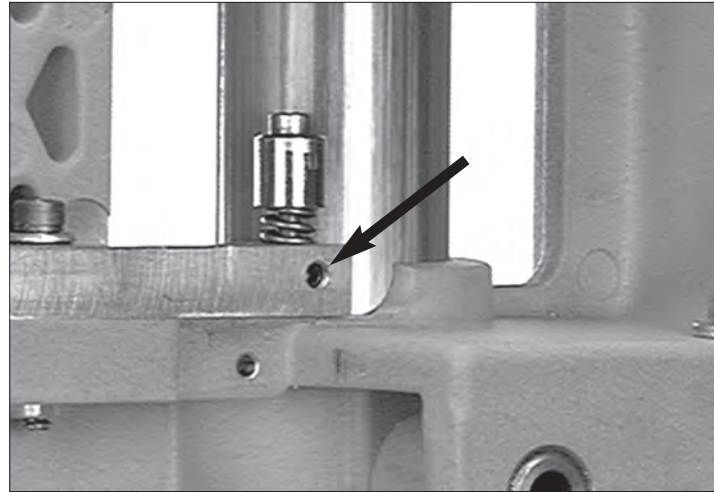


Figure 12 – To change the primer cup and pin, loosen this set screw. See arrow.

Turn the shellplate 1/8th of a turn so it covers the primer hole in the platform. Firmly press the operating handle forward to press the punch and cup assembly into the primer bar. While holding the handle in this position, tighten the set screw. (Figure 14)

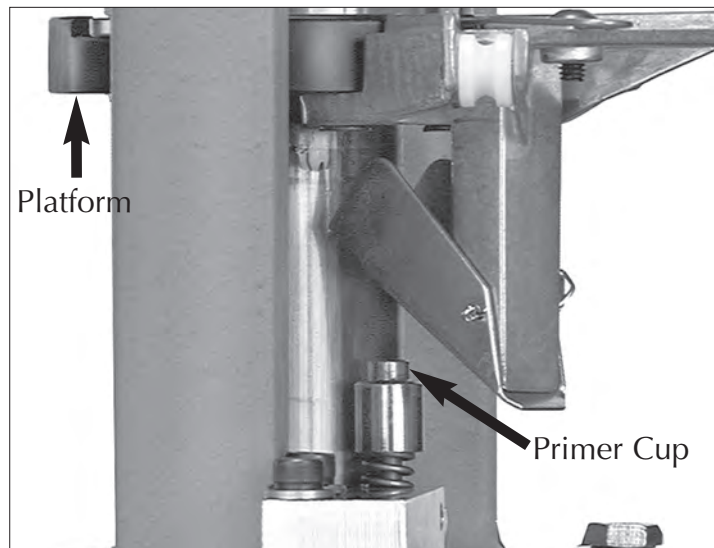


Figure 13 – Lowering the platform onto the primer cup.

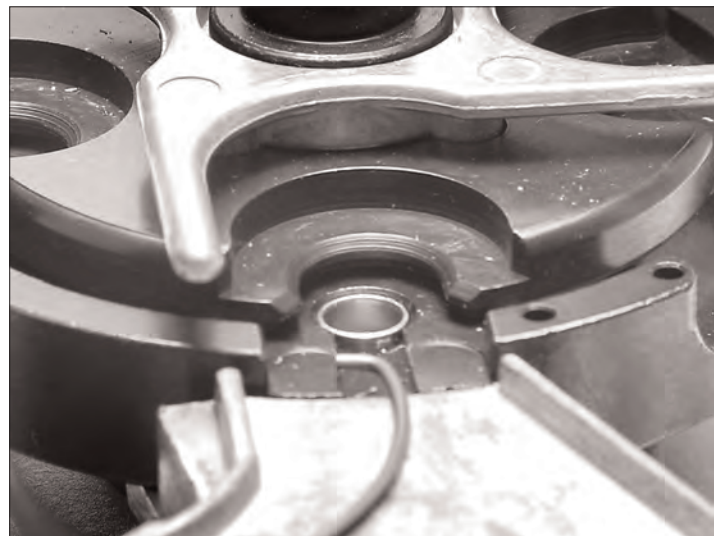


Figure 14 – The primer cup, showing through the platform.

The Toolhead

Your new BL 550 is equipped with a removable toolhead. Additional toolheads are available from the factory or your local Dillon dealer.

The advantage of this system is simple. Once you have adjusted your dies just the way you want them, they can stay that way. Plus, changing to another caliber becomes a simple matter of pulling two pins and sliding the toolhead out. (Figure 15)



Figure 15 – Removing the toolhead.

Before you begin loading, make sure that the toolhead is secured by the toolhead pins.

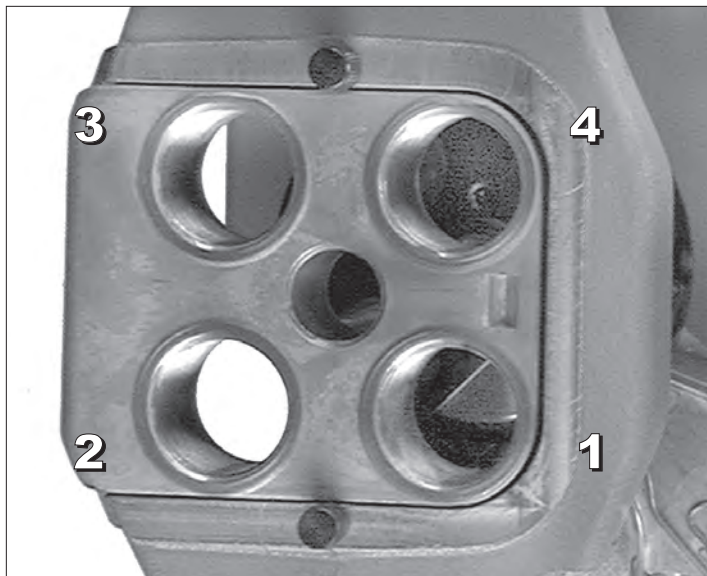


Figure 16 – Toolhead/die station orientation.

Setting up the BL 550 to Load Rifle Ammunition

We are using the .30-06 cartridge as an example in this section.

Station #1 – Install the sizing/decapping die here.



Figure 17 – Installing the sizing/decapping die in Station #1.

Move the handle down (which will raise the platform) and thread the sizing/decapping die completely into the toolhead until the die comes in contact with the shellplate. Return the handle to its rest position (up).

Apply a small amount of case lube on the body and neck of an empty .30-06 cartridge case, then place the case into the #1 slot. (Figure 18)



Figure 18 – Placing the cartridge case in the shellplate.

Move the handle down to resize and deprime the case. Return the handle to its rest position.

Examine the case you just resized and deprimed. If a case gage is available, insert the case into the gage to (Figure 19) assure yourself that the case has been resized properly. (The bottom of the case should be flush with the bottom of the gage.)



Figure 19 – Inserting a case in a case gage.

Rotate the sizing/decapping die in or out as needed to reach the proper case-to-gage fit. After the die is adjusted, tighten the die lock ring to hold it in place. Advance the case to Station #2.

Station #2 – Install the powder die and powder funnel here (We are using powder funnel “B” for the .30-06 cartridge – See Figure 20)



Figure 20 – Installing rifle powder funnel into the powder die.

Slide the funnel into the powder die and tighten the set screw, assuring yourself that it has entered the groove in the funnel. (Figure 21)



Figure 21 – The groove in the rifle powder funnel.

With the resized case in Station #2, move the handle down and thread the powder die into the toolhead until the funnel comes in contact with the case. Back the die up 1/4 turn, then tighten the die lock ring. Advance the case to Station #3.

Station #3 – Install the bullet seating die here.

Place a bullet on the empty case and move the handle down. Thread the bullet seating die into the toolhead until it comes in contact with the case/bullet. (Figure 22)

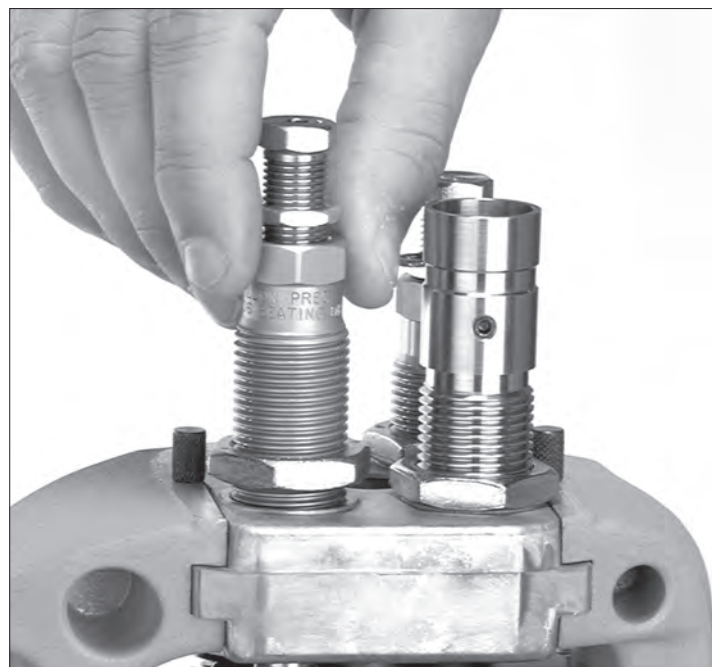


Figure 22 – Installing the bullet seating die in Station #3.

In 1/4 turn increments, thread the bullet seating die clockwise while you move the handle up and down, until the proper loaded length is reached. (Always use a loading manual for loaded length information.) Tighten the die lock ring and the lock ring on the seating stem. (Figure 23)

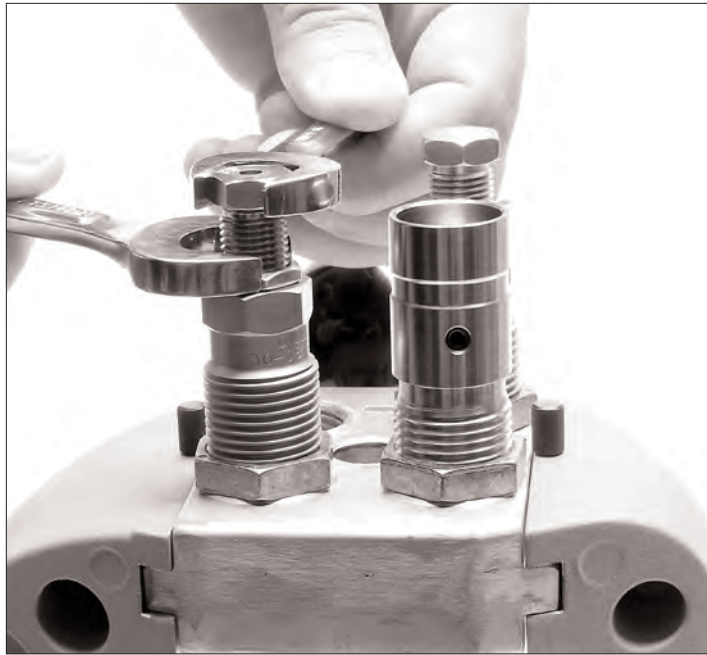


Figure 23 – Tightening the lock ring on the seating stem.

Examine the cartridge you've just assembled, checking the overall length. Advance the cartridge to Station #4.

Station #4 – Install the taper crimp die (if you're using a separate taper crimp die) here.

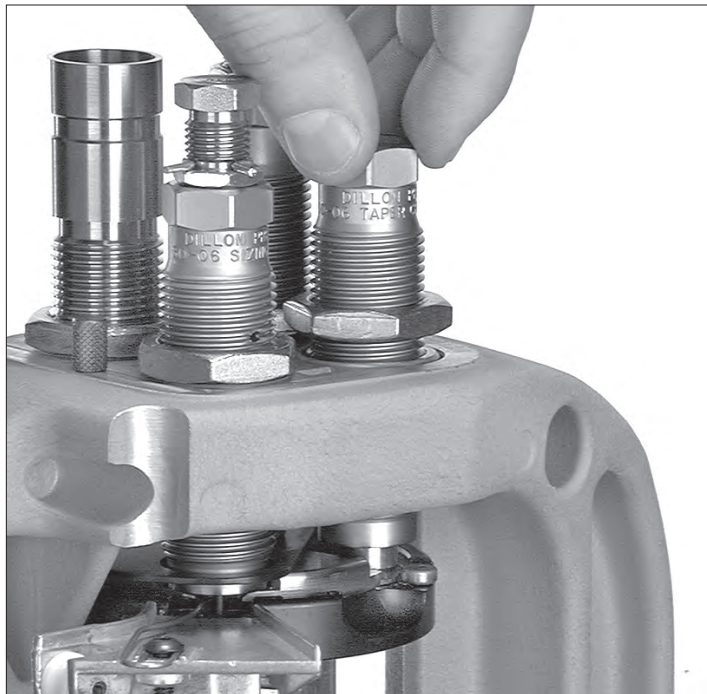


Figure 24 – Installing a taper crimp die in Station #4.

Move the handle down. Thread the taper crimp die into the toolhead until it comes in contact with the cartridge. In 1/4 turn increments, thread the taper crimp die clockwise while you move the handle up and down, until a crimp appears on the mouth of the case. An average crimp should be approximately .002 smaller than the case diameter. (Figure 25) Tighten the die lock ring.



Figure 25 – A properly crimped rifle cartridge.

Once you've installed all the dies in the toolhead, place the black plastic funnel onto the powder die. Install the three #1 (.30-06) brass locator buttons, included in the conversion box, on the platform. (For other calibers, see caliber conversion charts on pages 16-19.) (Figure 26)



Figure 26 – Installing a brass locator button at Station #2.

The above example used a Dillon three-die set for reloading the .30-06 rifle cartridges. Some die companies offer two die-sets for some rifle calibers. With these sets, the bullet seating die must be adjusted as follows:

Place a resized rifle case in Station #3. Install your bullet seating die here. Remove the seating stem from the seating die. Move the handle down and thread the die into the toolhead until it comes in contact with the case. Tighten the die lock ring. Return the handle to its rest position.

Reinstall the seating stem approximately five turns. Place a bullet on the empty case and move the handle down. In 1/4 turn increments, thread the bullet seating stem clockwise while you move the handle up and down until the proper loaded length is reached. (Figure 27 – Always use a loading manual for loaded length information.)

Tighten the lock ring on the stem.

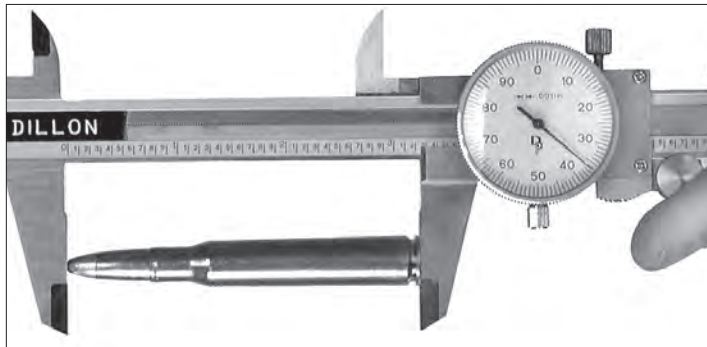


Figure 27 – Using a dial caliper to check overall length.

Setting up the BL 550 to Load Pistol Ammunition

We are using the .45 ACP cartridge as an example in this section. The BL 550 machine comes to you with the large primer bar installed.

Station #1 – Install the sizing/decapping die here.



Figure 28 – Installing a sizing/decapping die in Station #1.

Move the handle down (which will raise the platform) and thread the die completely into the toolhead until the die comes in contact with the shellplate. Tighten the die lock ring. Return the handle to its rest position and insert an empty cartridge case into the #1 slot. (Figure 29)



Figure 29 – Inserting an empty cartridge case in Station #1.

Move the handle down to resize and deprime the case. Return the handle to its rest position. Advance the case to Station #2.

Station #2 – Install the powder die and powder funnel “E” for the .45 ACP cartridge here.



Figure 30 – Insert a pistol powder funnel into the powder die.

Slide the funnel into the powder die and tighten the set screw, assuring yourself that it has entered the groove in the funnel. (Figure 31)



Figure 31 – The groove in the pistol powder funnel.

With the resized case in Station #2, move the handle down and thread the powder die into the toolhead until the funnel comes in contact with the case. In 1/4 turn increments, thread the powder die clockwise while you move the handle up and down until you begin to see a minor bell shape appear on the mouth of the case.

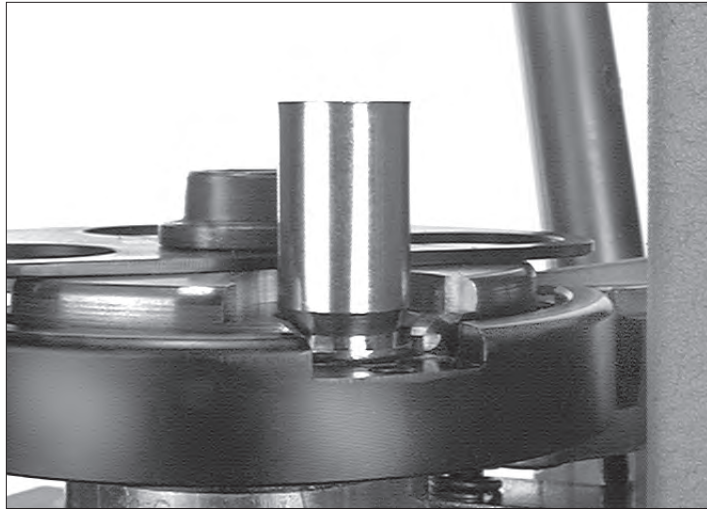


Figure 32 – A properly belled pistol case.

Tighten the die lock ring. Advance the case to Station #3.

Station #3 – Install the bullet seating die here.



Figure 33 – Installing the bullet seating die in Station #3.

Inspect the inside seating stem. Assure yourself that the shape of the seating stem matches the bullets you will be loading (i.e. round-nose, semi-wadcutter, etc.).

Place a bullet on the empty case and move the handle down. Thread the bullet seating die into the toolhead until it comes in contact with the case/bullet. In 1/4 turn increments, thread the bullet seating die clockwise while you move the handle up and down, until the proper loaded length is reached.

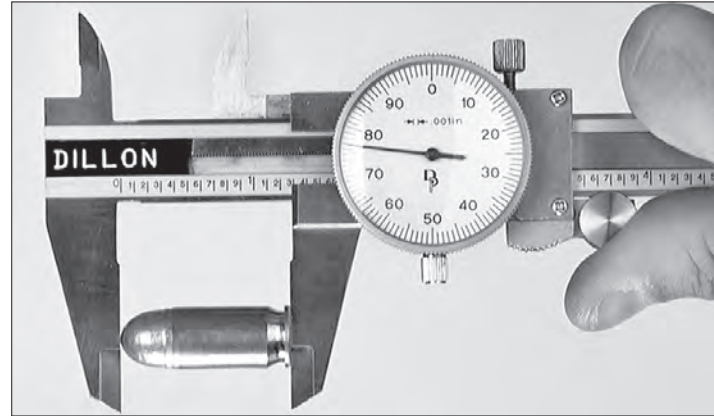


Figure 34 – Using a dial caliper to check overall length.

(Always use a loading manual for loaded length information.) Tighten the die lock ring. Examine the cartridge you've just assembled. Advance the case to Station #4.

Station #4 – Install the taper crimp die here.

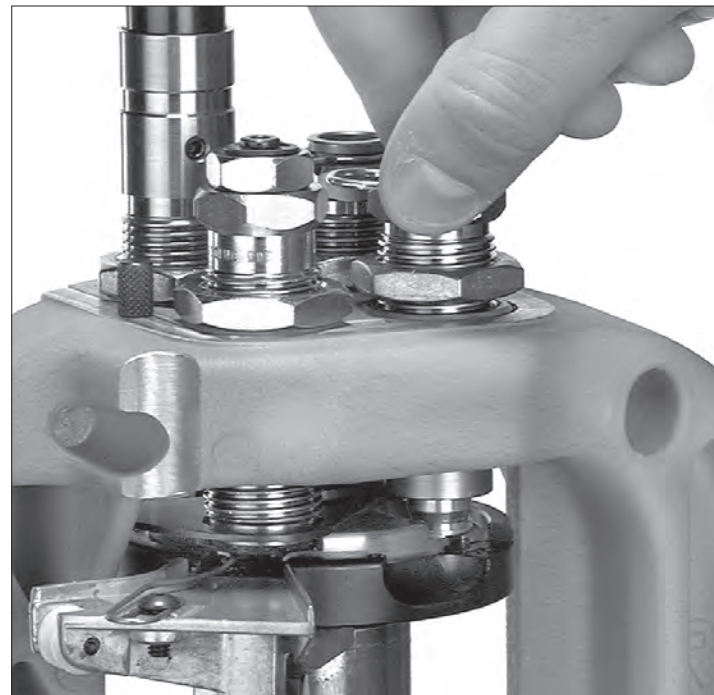


Figure 35 – Installing a taper crimp die in Station #4.

Move the handle down. Thread the taper crimp die into the toolhead until it comes in contact with case/bullet. In 1/4 turn increments, thread the taper crimp die clockwise while you move the handle up and down, until a crimp appears on the mouth of the case. An average crimp is approximately .002 smaller than the body diameter. (Figure 34) Tighten the die lock ring to hold it in place.

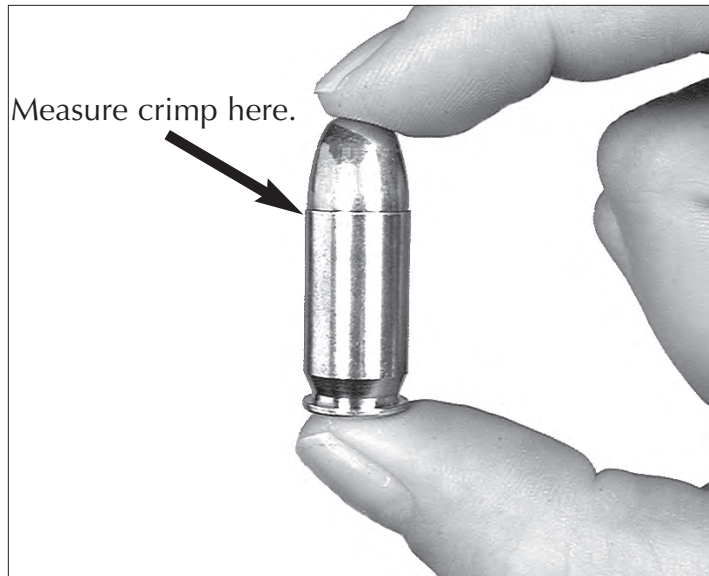


Figure 36 – A properly crimped pistol cartridge.

Once you've installed all the dies in the toolhead, place the black plastic funnel onto the powder die. Install the three #1 (for .45 ACP) brass locator buttons, included in the caliber conversion box, on the platform. (Figure 37)

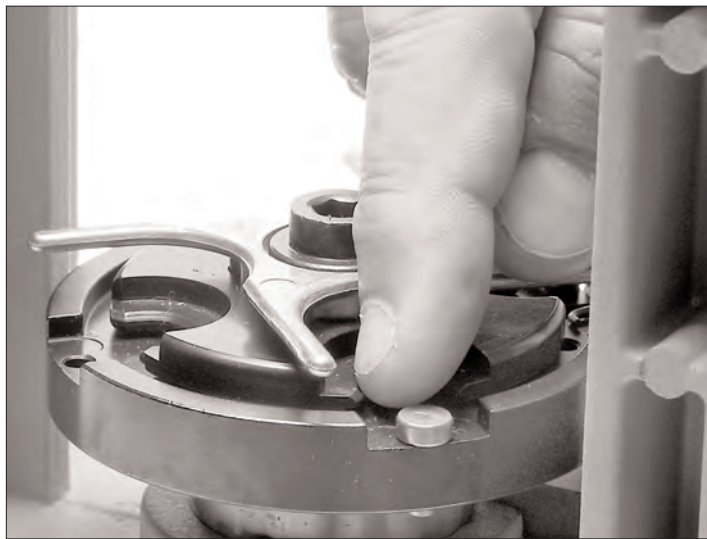


Figure 37 – Installing a brass locator button in Station #2.

THE RELOADING PROCESS

The following is a list of items you will need before you begin. (Figure 38)

- 1) Empty brass casings
- 2) Primers
- 3) Powder scale
- 4) Loading manual
- 5) Powder (see manual)
- 6) Bullets (see manual)
- 7) Dial calipers
- 8) Safety glasses



Figure 38 – What you will need to start loading.

To begin, place an empty case in Station #1 and move the handle down. While the handle is in the down position, place a new primer in the primer cup. (Figure 39) Return the handle to its rest position and insert the new primer into the case by pushing the handle forward.

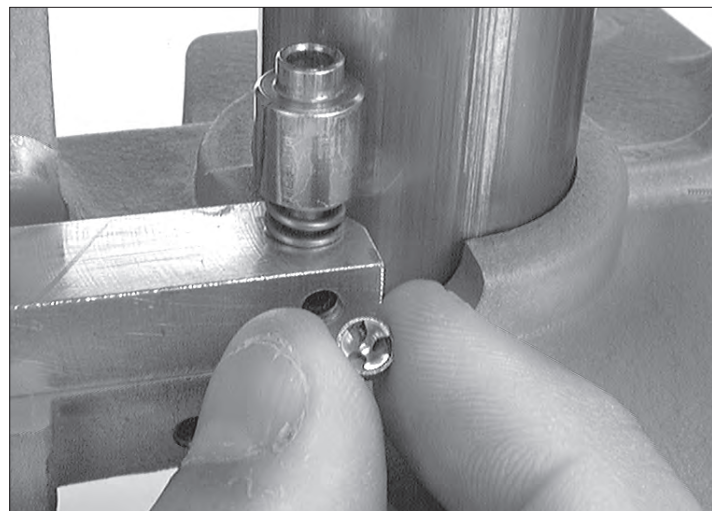


Figure 39 – Placing a primer in the primer cup at Station #1.

Place your left thumb on the index sprocket and advance the shellplate to Station #2. Move the handle down. While the handle is in the down position, charge the cartridge case by dispensing a properly weighed amount of powder into the black plastic funnel. (Figure 40) Return the handle to its rest position.



Figure 40 – Charging the case with powder at Station #2.

Place your left thumb on the index sprocket and advance the shellplate to Station #3. Place a bullet on the case (Figure 41) and move the handle down, this will seat the bullet into the case. Return the handle to its rest position.

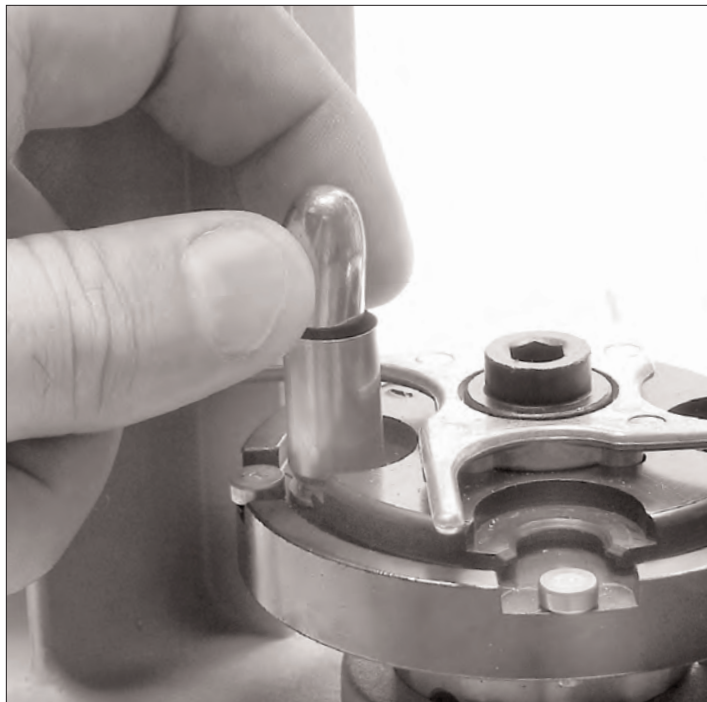


Figure 41 – Placing a bullet on the cartridge case at Station #3.

Place your left thumb on the index sprocket and advance the shellplate to Station #4. (Figure 42) Move the handle down, this crimps the case around the bullet. Return the handle to its rest position.

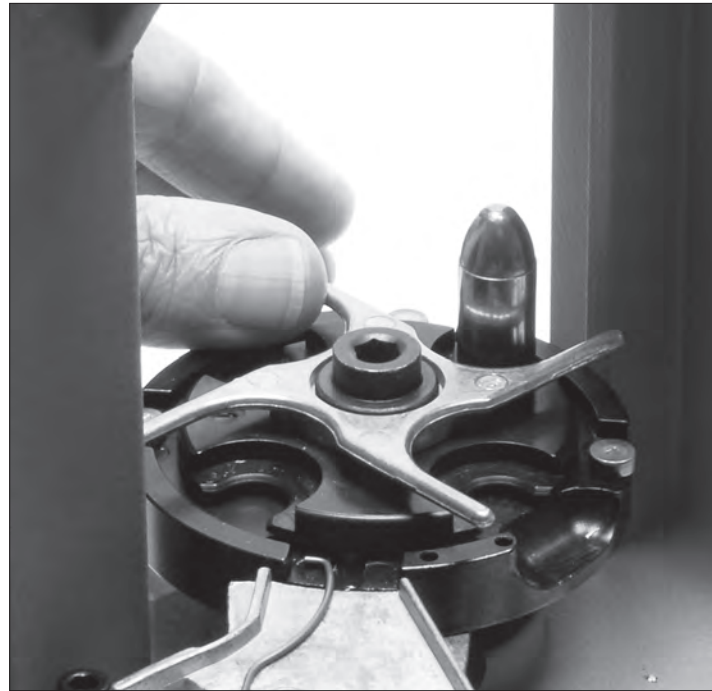


Figure 42 – Advancing the shellplate to Station #4.

Finally, grasp the finished cartridge with your right hand while you advance the shellplate to Station #1 again. Remove the completed cartridge from the machine. (Figure 38) Place the finished cartridge into a Dillon ammo box and repeat the above steps.



Figure 43 – Removing the completed cartridge.

BL 550 Upgrades & Accessories



**A. UPGRADE #1—
AUTO PRIME SYSTEM**
Includes:
Primer Housing /Shield
Primer Slides, Lg./Sm.
Pickup Tubes, Lg./Sm.
Pickup Tube Tips, Lg./Sm.
Magazine Tubes, Lg./Sm.
Mag. Orifices, Lg./Sm.
Operating Rod
Primer Track Bearing
Housing Screws
Ret. Spring Retaining Pin
#16627

**B. UPGRADE #2—
PRIMER EARLY WARNING KIT**

The device sounds when you have approximately three primers left in the primer magazine. Allows you to focus on loading instead of worrying about failing to seat a primer, and is an easy slip-on attachment to the auto prime system.
#20302



**C. UPGRADE #3—
AUTO POWDER SYSTEM**
Accurate to within 0.1 grain, our Automatic Powder Measure is world-renowned for its charge-to-charge consistency.
#20251
**OPTIONAL MAGNUM
RIFLE POWDER BAR**
#21353

**D. UPGRADE #4—
AUTO EJECT SYSTEM**

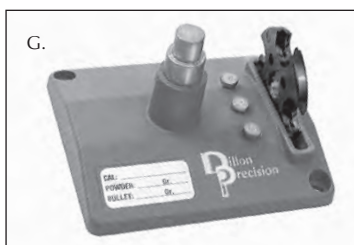
Greatly increases your ammo production capabilities and adds a Cartridge Chute/Bracket and a Cartridge Bin to your reloader.
#16634



E. POWDER DIES
Extra powder dies are a must, allowing you to move your powder measure from toolhead to toolhead without changing the critical "bellling" adjustment.
Single, #20064
3 pak, #20057

F. TOOLHEADS

Don't adjust dies when switching calibers. These precision tool holders hold your dies in perfect alignment, making caliber changes a snap.
Single, #13909 3 pak, #20058



G. TOOLHEAD STANDS
The ultimate in convenience for keeping your reloading bench clean and uncluttered.
Single, #22055
3 pak, #22050

H. PRIMER FLIP TRAY

Guns & Ammo magazine calls this "the Cadillac of flip trays." A heavy, high-quality tray large enough for the new Federal primer package.
#13606



I. 1" BENCH WRENCH
#10842

J. STRONG MOUNT

These heavy gauge steel Strong Mounts increase the machine's "footprint" to over 10", spreading the load over the whole bench instead of stressing the leading edge.
#22051



K. 'ELIMINATOR' LOADING SCALE



This precision instrument eliminates the guesswork by a simple triple-poise balance beam. Easy to use for the novice; precision accuracy for the professional.
#13480

BL 550, RL 450 & RL 550B Caliber Conversion Chart

Kits include shellplate, locator buttons and flow-thru powder funnel.

Handgun-Caliber Conversions

.22 Remington Jet - # 20165

#2 Shellplate - # 13751
#A Powder Funnel - # 13426
#2 Locator Pin - # 14062

.30 Luger, .30 Mauser - # 20175

#5 Shellplate - # 13743
#C Powder Funnel - # 13564
#3 Locator Pin - # 14060

.32 ACP, .32 Short Colt - # 20160

#J Shellplate - # 13136
#S Powder Funnel - # 12845
#8 Locator Pin - # 14048

.32 S&W Long, .32 H&R Magnum - # 20146

#D Shellplate - # 13092
#S Powder Funnel - # 12845
#3 Locator Pin - # 14060

.32-20 Winchester - # 20177

#O Shellplate - # 12013
#S Pistol Powder Funnel - # 12845
#3 Locator Pin - # 14060

.380 ACP - # 20133

#3 Shellplate - # 13684
#F Powder Funnel - # 13806
#3 Locator Pin - # 14060

9x18 Makarov - # 21656

#5 Shellplate - # 13743
#9 Powder Funnel - # 14980
#3 Locator Pin - # 14060

9mm, .38 Super - # 20127

#5 Shellplate - # 13743
#F Powder Funnel - # 13806
#3 Locator Pin - # 14060

9x25 Dillon, .357 Sig - # 21526

#5 Shellplate - # 13743
#F Powder Funnel - # 13806
#2 Locator Pin - # 14062

.38 S&W - # 20159

#U Shellplate - # 12944
#F Powder Funnel - # 13806
#2 Locator Pin - # 14062

.38 AMU - # 20278

#O Shellplate - # 12013
#D Powder Funnel - # 13599
#3 Locator Pin - # 14060

.38 Special, .357 Mag, .38 LC - # 20132

#2 Shellplate - # 13751
#D Powder Funnel - # 13599
#2 Locator Pin - # 14064

.38-40 Winchester - # 20178

#N Shellplate - # 10004
#W Pistol Powder Funnel - # 13600
#4 Locator Pin - # 14047

.40 S&W, 10mm - # 20179

#5 Shellplate - # 13743
#W Powder Funnel - # 13600
#2 Locator Pin - # 14062

.40 Super, .400 CorBon - # 20129

#1 Shellplate - # 13692
#W Powder Funnel - # 13600
#1 Locator Pin - # 13930

.41 Action Express - # 20277

#5 Shellplate - # 13743
#H Powder Funnel - # 13240
#3 Locator Pin - # 14060

.41 Magnum - # 20135

#6 Shellplate - # 13120
#H Powder Funnel - # 13240
#1 Locator Pin - # 13930

.44-40 Winchester - # 20206

#N Shellplate - # 10004
#.44-40 Pistol Powder Funnel - # 13600
#4 Locator Pin - # 14047

.44 Magnum, Special, Russian, Colt - # 20136

#4 Shellplate - # 13610
#G Powder Funnel - # 13427
#4 Locator Pin - # 14047

.45 ACP - # 20126

#1 Shellplate - # 13692
#E Powder Funnel - # 13782
#1 Locator Pin - # 13930

.45 Auto Rim - # 20158

#H Shellplate - # 13010
#E Powder Funnel - # 13782
#4 Locator Pin - # 14047

.45 Colt, .45 S&W, .454 Casull, .455 Webley - # 20137

#C Shellplate - # 13334
#E Powder Funnel - # 13782
#4 Locator Pin - # 14047

.45 Winchester Magnum - # 20221

#L Shellplate - # 12703
#E Powder Funnel - # 13782
#1 Locator Pin - # 13930

.460 S&W - # 20888

#C Shellplate - # 13334
#.460 S&W Powder Funnel - # 18949
#4 Locator Pin - # 14047

.475 Linebaugh, .480 Ruger - # 20116

#G Shellplate - # 13313
#.475/480 Ruger Powder Funnel - # 10723
#7 Locator Pin - # 13436
(Requires Extra Large Powder Die - # 21253)

.50 Action Express - # 21428

#50 Shellplate - # 13147
#50 Act Ex Powder Funnel - # 14465
#4 Locator Pin - # 14047
(Requires Extra Large Powder Die - # 21253)

.500 S&W Magnum - # 20121

#B Shellplate - # 13347
#50 Act Ex Powder Funnel - # 14465
#6 Locator Pin - # 15755
(Requires Extra Large Powder Die - # 21253)

Rifle-Caliber Conversions

.17 Remington - # 20203

#3 Shellplate - # 13684
#O Powder Funnel - # 12921
#3 Locator Pin - # 14060

.204 Ruger - # 20307

#3 Shellplate - # 13684
#204 Rifle Powder Funnel - # 20322
#3 Locator Pin - # 14060

.218 Bee - # 20151

#O Shellplate - # 12013
#A Powder Funnel - # 13426
#3 Locator Pin - # 14060

.219 Zipper, .22 Savage - # 20180

#7 Shellplate - # 12501
#A Powder Funnel - # 13426
#4 Locator Pin - # 14047

.22 Hornet - # 20150

#E Shellplate - # 12957
#A Powder Funnel - # 13426
#8 Locator Pin - # 14048

.22 PPC - # 20182

#A Shellplate - # 13211
#A Powder Funnel - # 13426
#2 Locator Pin - # 14062

.22 Bench Rest, .22-250 - # 20145

#1 Shellplate - # 13692
#A Powder Funnel - # 13426
#1 Locator Pin - # 13930

.220 Swift, .225 Winchester - # 20154

#L Shellplate - # 12703
#L Powder Funnel - # 10831
#1 Locator Pin - # 13930

.223, .222, .221 Remington - # 20128

#3 Shellplate - # 13684
#A Powder Funnel - # 13426
#3 Locator Pin - # 14060

.223 WSSM - # 20676

#B Shellplate - # 13347
#223 Short Mag. Rifle Powder Funnel - # 18417
#6 Locator Pin - # 15755
(Requires XL Powder Die #21253)

.224 Weatherby Magnum - # 20235

#A Shellplate - # 13211
#A Powder Funnel - # 13426
#2 Locator Pin - # 14062

.243, .244, 6mm, .240 Wby - # 20192

#1 Shellplate - # 13692
#1 Powder Funnel - # 13305
#1 Locator Pin - # 13930

.243 WSSM - # 20316

#B Shellplate - # 13347
#243 Short Mag. Rifle Powder Funnel - # 11156
#6 Locator Pin - # 15755
(Requires XL Powder Die #21253)

.25 Remington - # 20233

#R Shellplate - # 13497
#K Powder Funnel - # 13216
#2 Locator Pin - # 14062

.25 WSSM - # 20315

#B Shellplate - # 13347
#.25 Short Mag. Rifle Powder Funnel - # 11157
#6 Locator Pin - # 15755
(Requires XL Powder Die #21253)

.25-20 Winchester - # 20176

#O Shellplate - # 12013
#R Powder Funnel - # 13243
#3 Locator Pin - # 14060

.25-06, .250, .257 Roberts, Ackley - # 20147

#1 Shellplate - # 13692
#K Powder Funnel - # 13216
#1 Locator Pin - # 13930

.25-35 Winchester - # 20197

#7 Shellplate - # 12501
#K Powder Funnel - # 13216
#4 Locator Pin - # 14047

.256 Winchester Magnum - # 20215

#2 Shellplate - # 13751
#R Powder Funnel - # 13243
#4 Locator Pin - # 14047

.257 Weatherby Magnum - # 20199

#B Shellplate - # 13347
#K Powder Funnel - # 13216
#4 Locator Pin - # 14047

BL 550, RL 450 & RL 550B Caliber Conversion Chart

Kits include shellplate, locator buttons and flow-thru powder funnel.

6mm Bench Rest - # 20276

#1 Shellplate - # 13692
#6 PPC Rifle Powder Funnel - # 13085
#1 Locator Pin - # 13930

6mm PPC - # 20265

#A Shellplate - # 13211
#6 PPC Rifle Powder Funnel - # 13085
#2 Locator Pin - # 14062

6mm TCU - # 20252

#3 Shellplate - # 13684
#6 PPC Rifle Powder Funnel - # 13085
#3 Locator Pin - # 14060

.264 Win Mag, 6.5 Rem - # 20210

#B Shellplate - # 13347
#Y Powder Funnel - # 12870
#4 Locator Pin - # 14047

6.5 x 54 Man-Scho - # 20208

#M Shellplate - # 13230
#Y Powder Funnel - # 12870
#2 Locator Pin - # 14062

6.5 Arisaka - # 20209

#L Shellplate - # 12703
#Y Powder Funnel - # 12870
#1 Locator Pin - # 13930

6.5 Grendel - # 20894

#A Shellplate - # 13211
#6.5 Grendel Powder Funnel - # 18947
#2 Locator Pin - # 14062

6.5 x 55, 6.5 x 57, .260 Rem - # 20207

#1 Shellplate - # 13692
#Y Powder Funnel - # 12870
#1 Locator Pin - # 13930

6.5 x 57R - # 20269

#N Shellplate - # 10004
#Y Powder Funnel - # 12870
#4 Locator Pin - # 14047

6.5 x 68 - # 20267

#P Shellplate - # 13134
#Y Powder Funnel - # 12870
#4 Locator Pin - # 14047

6.8 SPC - # 20323

#R Shellplate - # 13497
#N Powder Funnel - # 13014
#2 Locator Pin - # 14062

7mm Merrill - # 20230

#L Shellplate - # 12703
#N Rifle Powder Funnel - # 13014
#1 Locator Pin - # 13930

7mm TCU - # 20141

#3 Shellplate - # 13684
#N Rifle Powder Funnel - # 13014
#3 Locator Pin - # 14060

7-30 Waters - # 20223

#7 Shellplate - # 12501
#N Rifle Powder Funnel - # 13014
#4 Locator Pin - # 14047

7mm Bench Rest - # 20216

#1 Shellplate - # 13692
#N Powder Funnel - # 13014
#1 Locator Pin - # 13930

7 x 57 R, 7 x 65 R - # 20268

#N Shellplate - # 10004
#J Powder Funnel - # 13456
#4 Locator Pin - # 14047

7mm Rem Mag, 7mm STW - # 20140

#B Shellplate - # 13347
#J Powder Funnel - # 13456
#4 Locator Pin - # 14047
(Requires Magnum Powder Bar # 21353)

7mm RUM - # 20682

#B Shellplate - # 13347
#7mm Mag Powder Funnel - # 15019
#6 Locator Pin - # 15755
(Requires Extra Large Powder Die # 21253)
(Requires Belted Magnum Powder System # 97126)

.270 WSM, 7mm WSM, 7mm RSAUM - # 20122

#B Shellplate - # 13347
#7mm Short Mag Powder Funnel - # 18416
#6 Locator Pin - # 15755
(Requires XL Powder Die # 21253)
(Requires Magnum Powder Bar # 21353)

7.5 x 55 - # 20432

#L Shellplate - # 12703
#B Powder Funnel - # 13587
#1 Locator Pin - # 13930

.270 Win, 7 x 57, .284 Win - # 20142

#1 Shellplate - # 13692
#J Powder Funnel - # 13456
#1 Locator Pin - # 13930

.30 Herrett - # 20214

#7 Shellplate - # 12501
#AK Rifle Powder Funnel - # 13015
#4 Locator Pin - # 14047

.30 Merrill - # 20231

#L Shellplate - # 12703
#AK Rifle Powder Funnel - # 13015
#1 Locator Pin - # 13930

.30 M1 Carbine - # 20131

#8 Shellplate - # 13135
#C Powder Funnel - # 13564
#8 Locator Pin - # 14048

.30R Blaser - # 20270

#C Shellplate - # 13334
#B Powder Funnel - # 13587
#4 Locator Pin - # 14047

.30 Remington, .32 Remington - # 20184

#R Shellplate - # 13497
#B Powder Funnel - # 13587
#2 Locator Pin - # 14062

.30-30 Winchester, .32 Win. Special - # 20139

#7 Shellplate - # 12501
#B Powder Funnel - # 13587
#4 Locator Pin - # 14047

.30-40 Krag - # 20185

#P Shellplate - # 13134
#B Powder Funnel - # 13587
#4 Locator Pin - # 14047

.30-378, .300 Dakota - # 20249

#G Shellplate - # 13313
#.30 Cal. Long Mag Powder Funnel - # 15013
#7 Locator Pin - # 13436
(Requires Belted Magnum Powder System # 97126)

.300 RUM - # 20239

#B Shellplate - # 13347
#.30 Cal. Long Mag Powder Funnel - # 15013
#7 Locator Pin - # 13436
(Requires Extra Large Powder Die # 21253)
(Requires Belted Magnum Powder System # 97126)

.300 Savage - # 20190

#1 Shellplate - # 13692
#AK Powder Funnel - # 13015
#1 Locator Pin - # 13930

.300 Whisper - # 20236

#3 Shellplate - # 13684
#AK Rifle Powder Funnel - # 13015
#3 Locator Pin - # 14060

.300 Winchester Magnum - # 20188

#B Shellplate - # 13347
#B Powder Funnel - # 13587
#4 Locator Pin - # 14047
(Requires Magnum Powder Bar # 21353)

.300 WSSM, .300 RSAUM - # 20243

#B Shellplate - # 13347
#.300 Short Mag Powder Funnel - # 18415
#6 Locator Pin - # 15755
(Requires XL Powder Die # 21253)
(Requires Magnum Powder Bar # 21353)

.307 Winchester - # 20237

#L Shellplate - # 12703
#B Powder Funnel - # 13587
#1 Locator Pin - # 13930

.308/.30-06 - # 20130

#1 Shellplate - # 13692
#B Powder Funnel - # 13587
#1 Locator Pin - # 13930

7.62 x 39mm - # 20213

#A Shellplate - # 13211
#AK Rifle Powder Funnel - # 13015
#2 Locator Pin - # 14062

7.62 x 54R - # 20346

#G Shellplate - # 13313
#B Powder Funnel - # 13587
#7 Locator Pin - # 13436

.32-20 Winchester - # 20177

#O Shellplate - # 12013
#S Pistol Powder Funnel - # 12845
#3 Locator Pin - # 14060

.303 British - # 20183

#4 Shellplate - # 13610
#B Powder Funnel - # 13587
#4 Locator Pin - # 14047

8 x 57mm Mauser - # 20201

#1 Shellplate - # 13692
#M Powder Funnel - # 12963
#1 Locator Pin - # 13930

8 x 57IRS - # 20271

#N Shellplate - # 10004
#M Powder Funnel - # 12963
#4 Locator Pin - # 14047

8 x 57R - # 20201

#N Shellplate - # 10004
#M Powder Funnel - # 12963
#4 Locator Pin - # 14047

8 x 68mm - # 20272

#P Shellplate - # 13134
#M Powder Funnel - # 12963
#4 Locator Pin - # 14047

8mm Remington Magnum - # 20155

#B Shellplate - # 13347
#M Powder Funnel - # 12963
#4 Locator Pin - # 14047
(Requires Magnum Powder Bar # 21353)

.325 WSM - # 20891

#B Shellplate - # 13347
#.325 WSM Powder Funnel - # 18948
#6 Locator Pin - # 15755
(Requires XL Powder Die # 21253)
(Requires Magnum Powder Bar # 21353)

BL 550, RL 450 & RL 550B Caliber Conversion Chart

Kits include shellplate, locator buttons and flow-thru powder funnel.

.33 Winchester - # 20202

#G Shellplate - # 13313
#Q Powder Funnel - # 13406
#7 Locator Pin - # 13436
(Requires Magnum Powder Bar # 21353)

.338 Winchester, .340 Weatherby - # 20156

#B Shellplate - # 13347
#Q Powder Funnel - # 13406
#4 Locator Pin - # 14047
(Requires Magnum Powder Bar # 21353)

.338 RUM - # 20258

#B Shellplate - # 13347
#.338 Mag Rifle Powder Funnel - # 15012
#7 Locator Pin - # 13436
(Requires XL Powder Die # 21253)
(Requires Belted Magnum Powder System # 97126)

.338 Lapua - # 20257

#G Shellplate - # 13313
#.338 Mag Rifle Powder Funnel - # 15012
#7 Locator Pin - # 13436
(Requires Belted Magnum Powder System # 97126)

.348 Winchester - # 20217

#T Shellplate - # 12808
#P Rifle Powder Funnel - # 13187
#7 Locator Pin - # 13436

.35 Remington - # 20166

#M Shellplate - # 13230
#P Rifle Powder Funnel - # 13187
#2 Locator Pin - # 14062

.35 Winchester - # 20168

#P Shellplate - # 13134
#P Rifle Powder Funnel - # 13187
#4 Locator Pin - # 14047

.356 Winchester - # 20238

#L Shellplate - # 12703
#P Rifle Powder Funnel - # 13187
#1 Locator Pin - # 13930

.357 Herrett - # 20172

#7 Shellplate - # 12501
#D Pistol Powder Funnel - # 13599
#4 Locator Pin - # 14047

.358 Norma Mag, .350 Rem - # 20167

#B Shellplate - # 13347
#P Rifle Powder Funnel - # 13187
#4 Locator Pin - # 14047

.35 Whelen/.358 Winchester - # 20170

#1 Shellplate - # 13692
#P Rifle Powder Funnel - # 13187
#1 Locator Pin - # 13930

.38-55, .375 Winchester - # 20226

#7 Shellplate - # 12501
#V Rifle Powder Funnel - # 13344
#4 Locator Pin - # 14047

.375 H&H, .375 Weatherby - # 20204

#B Shellplate - # 13347
#R Rifle Powder Funnel - # 13531
#4 Locator Pin - # 14047
(Requires Magnum Powder Bar # 21353)

.375 Ruger - # 20497

#B Shellplate - # 13347
#R Rifle Powder Funnel - # 13531
#6 Locator Pin - # 15755
(Requires Magnum Powder Bar # 21353)

.375 RUM - # 20261

#B Shellplate - # 13347
#.378 Rifle Powder Funnel - # 15010
#7 Locator Pin - # 13436
(Requires Belted Magnum Powder System # 97126)

.376 Steyr - # 20260

#P Shellplate - # 13134
#R Rifle Powder Funnel - # 13531
#4 Locator Pin - # 14047
(Requires Magnum Powder Bar # 21353)

.378 Weatherby - # 21665

#G Shellplate - # 13313
#.378 Rifle Powder Funnel - # 15010
#7 Locator Pin - # 13436
(Requires Belted Magnum Powder System # 97126)

9.3 x 62mm - # 20273

#1 Shellplate - # 13692
#R Rifle Powder Funnel - # 13531
#1 Locator Pin - # 13930

9.3 x 64mm, 9.3 x 74R - # 20274

#P Shellplate - # 13134
#R Rifle Powder Funnel - # 13531
#4 Locator Pin - # 14047

.38-40 Winchester - # 20178

#N Shellplate - # 10004
#W Pistol Powder Funnel - # 13600
#4 Locator Pin - # 14047

.40-65 Winchester - # 20264

#G Shellplate - # 13313
#.40 Cal Rifle Powder Funnel - # 11151
#7 Locator Pin - # 13436

.416 Remington Magnum - # 20771

#B Shellplate - # 13347
#RM Rifle Powder Funnel - # 13415
#4 Locator Pin - # 14047
(Requires Magnum Powder Bar # 21353)

.416 Weatherby - # 20262

#G Shellplate - # 13313
#.416 Rifle Powder Funnel - # 10222
#7 Locator Pin - # 13436
(Requires Belted Magnum Powder System # 97126)

.44-40 Winchester - # 20206

#N Shellplate - # 10004
#.44-40 Pistol Powder Funnel - # 13600
#4 Locator Pin - # 14047

.444 Marlin - # 20164

#N Shellplate - # 10004
#X Pistol Powder Funnel - # 12920
#4 Locator Pin - # 14047

.45-70 Government - # 20143

#G Shellplate - # 13313
#T Pistol Powder Funnel - # 13407
#7 Locator Pin - # 13436

.458 Win Mag, .450 Marlin - # 20161

#B Shellplate - # 13347
#T Pistol Powder Funnel - # 13407
#4 Locator Pin - # 14047
(Requires Magnum Powder Bar # 21353)

.460 Weatherby - # 21664

#G Shellplate - # 13313
#.460 Rifle Powder Funnel - # 15009
#7 Locator Pin - # 13436
(Requires Belted Magnum Powder System # 97126)

.50 Beowulf - # 20467

#A Shellplate - # 13211
#.50 Pistol Powder Funnel - # 14465
#2 Locator Pin - # 14062
(Requires Extra Large Powder Die # 21253)

BL 550, RL 450 & RL 550B Caliber Cross Reference Chart

<u>Shellplate 1 Locator Button 1</u>		<u>Shellplate 6 Locator Button 1</u>		<u>Shellplate C Locator Button 4</u>	
Powder Funnel		Powder Funnel		Powder Funnel	
.22 BR	A - #13426	.41 Magnum	H - #13240	.45 Colt/.45 Schofield	E - #13782
.22-250	A - #13426	Shellplate 7 Locator Button 4		.454 Casull	E - #13782
.240 Weatherby Mag.	I - #13305	.219 Donaldson Wasp	A - #13426	.455 Webley	E - #13782
.243 Winchester	I - #13305	.219 Zipper	A - #13426	Shellplate D Locator Button 3	
.250 Savage - .250/3000	K - #13216	.22 Savage Hi Power	A - #13426	.32 S&W Long	S - #12845
.25-06	K - #13216	.25-35 Winchester	K - #13216	.32 H&R Magnum	S - #12845
.257 Ackley Improved	K - #13216	7mm International Rimmed	N - #13014	Shellplate E Locator Button 8	
.257 Roberts	K - #13216	7-30 Waters	N - #13014	.22 Hornet - K Hornet	A - #13426
6mm BR	6PPC - #13085	.38-55 Win. Ballard	543V - #13344	Shellplate G Locator Button 7	
6mm Remington - .244	I - #13305	.30 Herrett	AK - #13015	7.62 x 54 Russian	B - #13587
.260 Rem./6.5 x 284	Y - #12870	.30-30 Winchester	B - #13587	.30-378/.300 Dakota	300 - #15013
6.5 x 55 Swedish Mauser	Y - #12870	.32-40 Winchester	B - #13587	.33 Win.	Q - #13406
6.5-06	Y - #12870	.32 Winchester Special	B - #13587	.338 Lapua/.330 Dakota	338 - #15012
7mm BR	N - #13014	.357 Herrett	D - #13599	.378 Wby. Mag.	544378 - #15010
7mm Int'l	N - #13014	.375 Super Magnum	543V - #13344	.40-65	RM - #13415
7mm-08 Rem.	J - #13456	Shellplate 8 Locator Button 8		.404 Jeff	416 - #10222
7 x 57 Mauser	J - #13456	.30 M1 Carbine	C - #13564	.416 Rigby & W'by	416 - #10222
7 x 64 Brenneke	J - #13456	.32 ACP - 7.65mm	S - #12845	.45-70 Gov't	543T - #13407
7mm Express - .280 Rem.	J - #13456	.32 Short Colt	S - #12845	.460 Wby. Mag.	544460 - #15009
7.5 x 55 Swiss	B - #13587	Shellplate 50 Locator Button 4		.480 Ruger/.475 Linebaugh	E - #13782
7.65 Bel-Arg	B - #13587	.50 AE	50AE - #14465	Shellplate H Locator Button 4	
7.7 Japanese Arisaka	B - #13587	Shellplate A Locator Button 2		.45 Auto Rim	E - #13782
.270 Winchester	J - #13456	.22 PPC	A - #13426	Shellplate I Locator Button 1	
.284 Winchester	J - #13456	.224 Weatherby Magnum	A - #13426	.220 Swift	L - #10831
.30-06	B - #13587	6 PPC	6PPC - #13085	.225 Winchester	L - #10831
.300 Savage	AK - #13015	7.62 x 39 Russian	AK - #13015	6.5 Japanese Arisaka	Y - #12870
.308 - 7.62 NATO	B - #13587	Shellplate B Locator Button 4		7mm Merrill	N - #13014
8mm Mauser	M - #12963	.257 Wby. Mag.	K - #13216	.30 Merrill	AK - #13015
.358 Winchester	P - #13187	.264 Win. Mag.	Y - #12870	.307 Winchester	B - #13587
.35 Whelen	P - #13187	6.5mm Rem. Mag.	Y - #12870	.356 Winchester	P - #13187
.40 Super/.400 Corbon	W - #13600	.270 Wby. Mag.	J - #13456	.45 Winchester Magnum	E - #13782
.45 ACP	E - #13782	7mm Rem. Mag.	J - #13456	Shellplate M Locator Button 2	
Shellplate 2 Locator Button 2		7mm STW	J - #13456	6.5 x 52 Carcano	Y - #12870
.22 Rem. Jet	A - #13426	7mm Wby. Mag.	J - #13456	6.5 mm x 54 Mann-Scho	Y - #12870
.256 Win. Mag.	543R - #13243	.30-338 Win. Mag.	B - #13587	.35 Remington	P - #13187
.38 LC	D - #13599	.300 Win. Mag.	B - #13587	Shellplate N Locator Button 4	
.38 Sp.-.357 Mag./Max.	D - #13599	.300 Win. Short	300 - #15013	.38-40 Winchester	W - #13600
Shellplate 3 Locator Button 3		.300 H&H Mag.	B - #13587	.44-40 Winchester	G - #13427
.17 Remington	O - #12921	.300 Wby. Mag.	B - #13587	.444 Marlin	543X - #12920
.204 Ruger	204 Ruger - #20322	.308 Norma Mag.	B - #13587	Shellplate O Locator Button 3	
.221 Rem. Fire Ball	A - #13426	8mm Rem. Mag.	M - #12963	.218 Bee	A - #13426
.222 Rem. - Rem. Mag.	A - #13426	.338 Win. Mag.	Q - #13406	.25-20 Winchester	543R - #13243
.223 - 5.56 mm	A - #13426	.340 Wby. Mag.	Q - #13406	.32-20 Winchester	S - #12845
6mm TCU	6PPC - #13085	.350 Rem. Mag.	P - #13187	.38 AMU	F - #13806
7mm TCU	N - #13014	.358 Norma Mag.	P - #13187	Shellplate P Locator Button 4	
.300 Whisper	AK - #13015	.375 H&H	544R - #13531	.30-40 Krag	B - #13587
.380 ACP	F - #13806	.375 Weatherby Mag.	544R - #13531	.35 Winchester	P - #13187
Shellplate 4 Locator Button 4		.416 Rem. Mag.	544RM - #13415	.376 Steyr	R - #13547
.303 British	B - #13587	.450 Marlin/.470 Nitro	T - #13407	Shellplate R Locator Button 2	
.44 Colt/.44 Russian	G - #13427	.458 Winchester Mag.	543T - #13407	.25 Remington	K - #13216
.44 Special - Magnum	G - #13427	Shellplate B Locator Button 6		.30 Rem. - .32 Rem.	B - #13587
Shellplate 5 Locator Button 2		.223 WSSM	223 Short Mag. - #18417	Shellplate T Locator Button 7	
9x25 Dillon/.357 SIG	F - #13806	.243 WSSM	243 Short Mag. - #11156	.348 Win.	P - #13187
10mm/.40 S&W	W - #13600	.25 WSSM	25 Short Mag. - #11157	Shellplate U Locator Button 2	
Shellplate 5 Locator Button 3		7 Ultra & WSM	7mm - #15019	.38 S&W	F - #13806
.30 Luger	C - #13564	.270 WSM	7mm - #15019		
.30 Mauser	C - #13564	.300 Ultra	300 - #15013		
9 x 18 Makarov	9 - #14980	.300 WSM	30 Short Mag. - #18415		
9mm Luger	F - #13806	.338 Ultra	338 - #15012		
.38 Super	F - #13806	.375 Ultra Mag.	378 - #15010		
.41 AE	AE - #13180	.375 Ruger	R Rifle - #13531		

On the cover...

The BL 550 is pictured with optional accessories:
Strong Mount #22051

The Blue Press, Dillon's monthly catalog, has a complete listing of accessories available for all machines.

Dillon Precision Products, Inc.

8009 E. Dillon's Way
Scottsdale, AZ 85260
(480) 948-8009
FAX (480) 998-2786

Web Site: www.dillonprecision.com
Technical Support E-mail: dillon@dillonprecision.com
See our Troubleshooting Section online at www.dillonprecision.com

Technical Support & Customer Service
800-223-4570