

# Dillon SL 900

## Instruction Manual

May 2007



**Dillon**  
**Precision**  
Products, Inc.  
Manufacturers of  
The World's Finest  
Loading Equipment

# Table of Contents

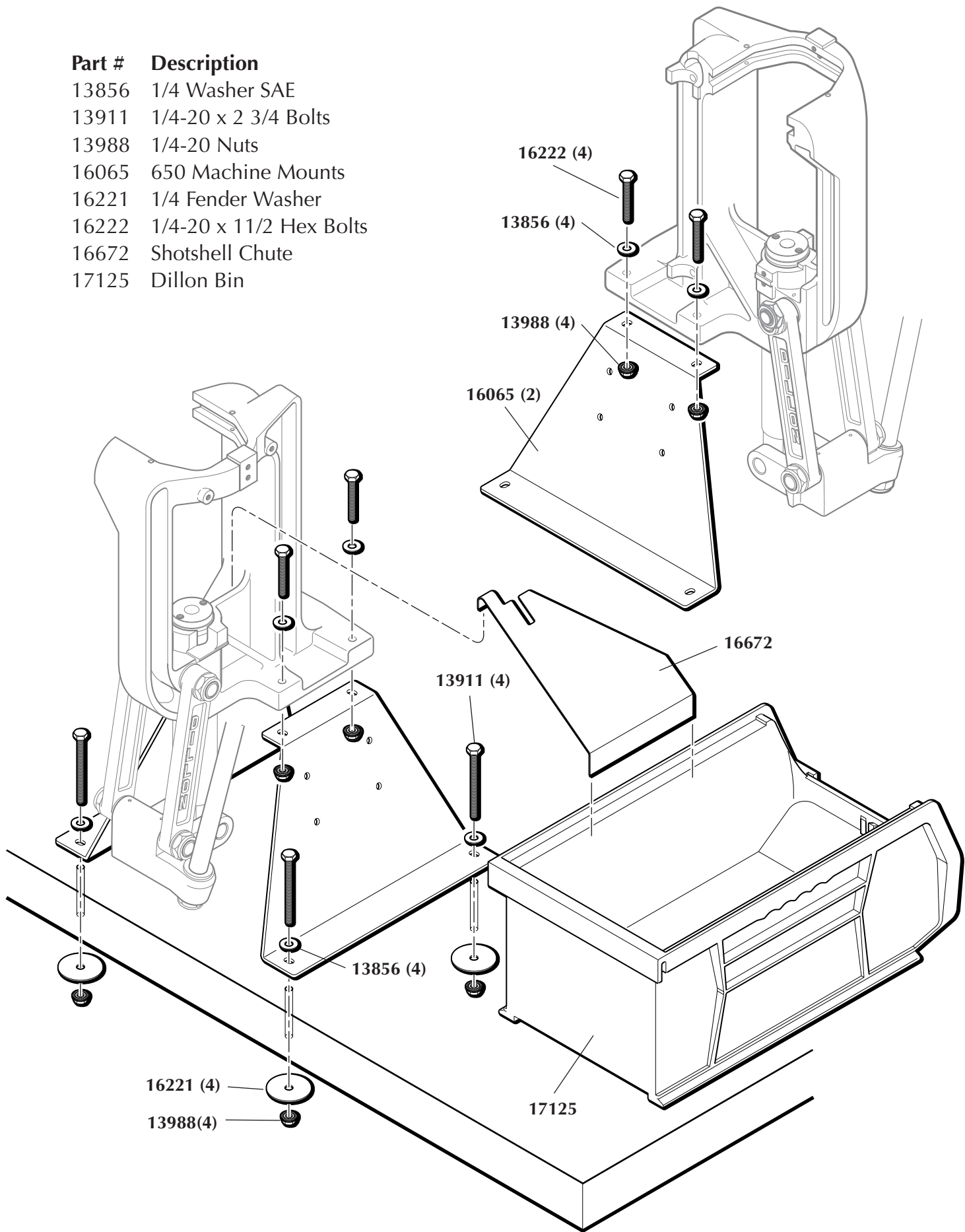
<b>Parts List, Schematics and Diagrams</b>	<b>3 - 15</b>
SL 900 Machine Mounting Assembly	4
Upper Machine Assembly	5
Shot Container Assembly	6
Casefeeder Assembly & Parts List	7
Casefeeder Bowl Mount & Casefeed Assembly to Frame	8
Lower Machine Assembly	9
Toolhead Assembly	10
Platform Assembly	11
Primer Feed System Assembly	12
Automatic Powder Measure Assembly	13
Shot Dispenser Assembly	14
Wad Swing Arm Assembly	15
Finished Shotshell Dimensions	15
<b>General Machine Information</b>	<b>16 - 17</b>
<b>Step-by-Step Preliminary Assembly</b>	<b>17 - 21</b>
<b>Factory Settings</b>	<b>22 - 23</b>
<b>Filling the Machine with Components – What’s First?</b>	<b>24 - 29</b>
<b>Changes and Adjustments</b>	<b>29 - 35</b>
Adjusting the Collet Sizer	29
Powder Die/Funnel Adjustments	30
Adjusting the Automatic Powder System, Powder Charge Weight	30
Adjusting the Wad and Shot Station	30
Adjusting the Starter Crimp Die	31
Removing the Shot From the Machine	31
Removing the Toolhead	32
Shellplate Removal	33
Switching to Another Powder	34
The Primer System	35
Gauge Conversion - 28 ga.	36 - 40
Gauge Conversion - 20 ga.	41 - 45
<b>Troubleshooting Section</b>	<b>46 - 47</b>
Primer System	46
Casefeeder	47
General	47
<b>Lube Points</b>	<b>48</b>
<b>Suggested Settings</b>	<b>49</b>

## SL 900 Parts List

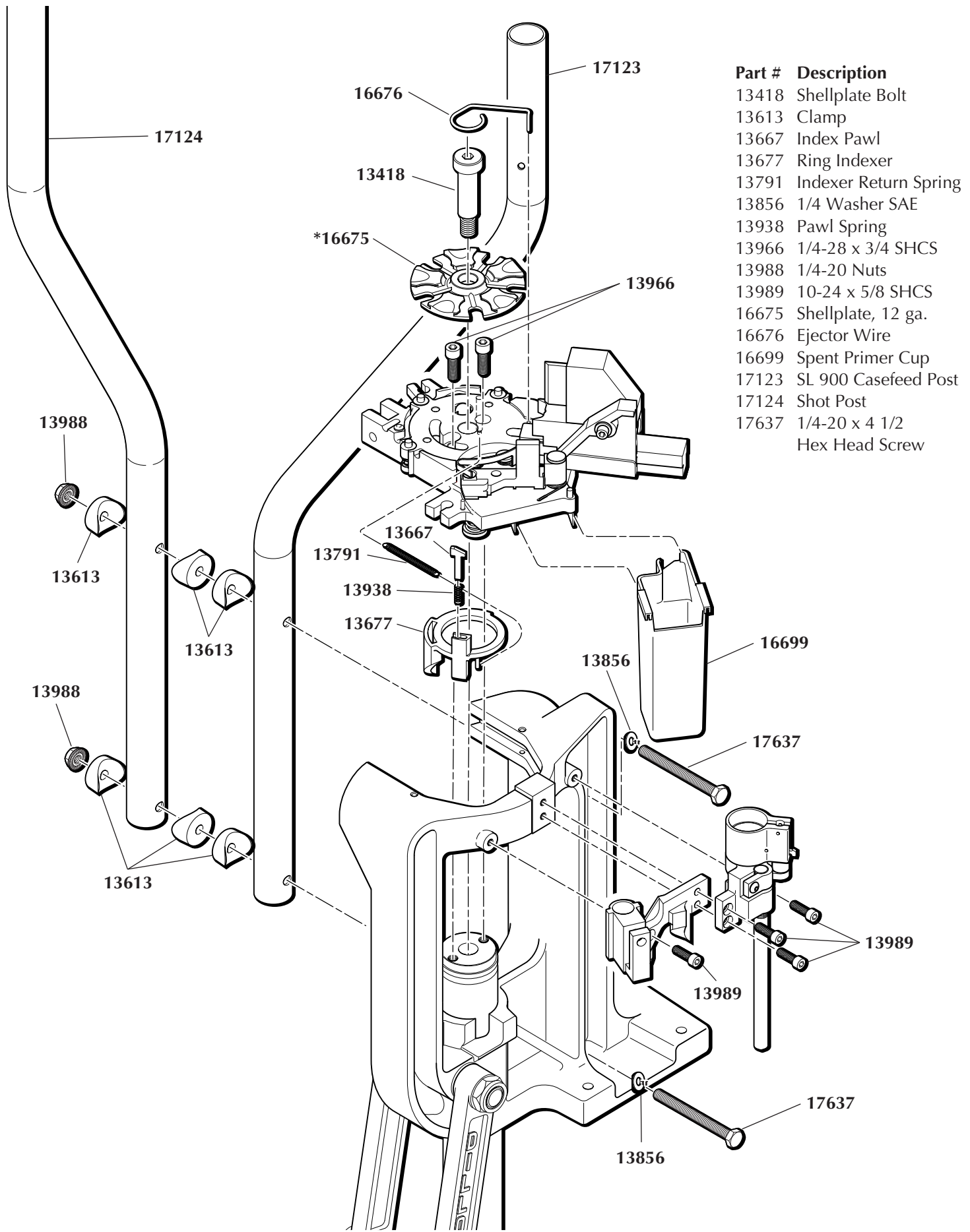
Part #	Description
10641	Body Collar Adjustment Screw
10716	Primer Spring Cap
12000	Final Crimp Die
12577	1/2-20 Jam Nut
13311	Spring Pin
13418	Shellplate Bolt
13485	Mainshaft
13613	Clamp
13667	Index Pawl
13677	Ring Indexer
13700	Link Arm Shoulder Pin
13701	3/32x3/8 Dowel Pin
13738	10 Stainless Washers
13742	1/2 E-Clip
13773	8-32 Nut
13789	1/4-28 Set Screw
13791	Indexer Return Spring
13793	Collar Roller
13799	Blue Wing Nut
13801	Tinnerman Nut
13830	Mainshaft Pivot Pin
13837	1/4 E-Clip
13840	Hitch Pin Clip
13841	Nylock Nuts
13848	Bellcrank Bushing
13856	1/4 Washer SAE
13858	Rod Compression Spring
13871	Bellcrank Cube
13891	3/8 Index Ball
13895	10-24x3/8 BHCS
13896	1/4-20 x 3/8 BHCS
13901	3/8x24 Cam Pin Jam Nut
13911	1/4-20 x 2 3/4 Bolts
13923	1/4-28 Brass Tip Set Screw
13937	Slide Return Spring
13938	Pawl Spring
13943	1/4-28 Adjustment Bolt
13958	1/4 Washer
13966	1/4-28 x 3/4 SHCS
13988	1/4-20 Nuts
13989	10-24 x 5/8 SHCS
13996	10-32 Set Screw
13997	Index Ball Spring
14008	Toolhead Pins
14013	8-32x3/8 SHCS
14023	8-32 x 3/4 BHCS
14026	8-32 x 1/2 BHCS
14037	10-24 x 3/4 SHCS
14041	1/4 Wave Washer
14574	Case Insert Slide Spring Cap
14689	8-32 x 1/4 BHCS
14808	Collar Roller Bushing
14922	Link Arms
16065	650 Machine Mounts
16209	Spent Primer Cup Bracket
16221	1/4 Fender Washer
16222	1/4-20 x 11/2 Hex Bolts
16340	10-32 Nylock Nut
16667	Toolhead
16668	Toolhead Die Lockplate
16670	SL Crank
16671	Indexing Block
16672	Shotshell Chute
16675	Shellplate, 12 ga.
16676	Ejector Wire
16677	Wad Swing Arm
16678	Wad Guide Sleeve
16679	Sleeve Compression Spring
16680	1/16 x 1/2 Roll Pin
16681	Wad Guide
16682	Swing Arm Torsion Spring
16683	Case Insert Slide
16684	Slide Block
16691	Primer Transfer Arm
16692	Arm Pivot Pin
16693	Transfer Arm Spring
16694	Station Two Locator
16695	Locator Pivot Screw
16696	Locator Torsion Spring
16697	Case Insert Ramp
16698	SL Platform
16699	Spent Primer Cup
16700	Primer Seater Pin
16701	Bushing
16702	Primer Seater Spring
16707	Phish Compression Spring
16708	Casefeed Phish
16709	Camming Pin
16711	Primer Feedplate
16714	Slide/Bellcrank Spring
16717	Primer Feed Cam
16721	Tray Mounting Bracket
16723	Primer Feed Body
16724	Shot Dispenser
16725	Shot Dispenser Body
16726	Shot Drop Tube, 12 ga.
16727	Shot Dispenser Bellcrank
16731	Spring (Bellcrank Assembly)
16732	Pivot Pin
16733	Shot Bar Return Rod
16735	Shot Body Collar
16737	Collar Guide/Clamp
16738	Shot Bar
16739	Shot Bar Insert
16740	3/8-16 Half Dog Set Screw
16741	Depriming Pin
16742	SL Sizer Collet Sleeve
16743	Collet Sizer Die, 12 Ga.
16744	SL Powder Die
16746	Expander Powder Funnel
10640	Starter Crimp Die
16748	Dillon Starter Crimp Insert-1
16753	Locator Buttons
16904	1 1/2-10/32 SHCS
17123	SL 900 Casefeed Post
17124	Shot Post
17125	Dillon Bin
17126	Locator Button Spring
17130	Casefeed Sleeve, 12 Ga.
17131	Casefeed Body
17132	Primer Drop Tube
17134	Primer Bellcrank
17138	Clear Dispenser Lid
17139	Shot Dispenser Fitting
17140	Pin (Bellcrank Assembly)
17141	1/4 Hardened Washer
17142	Dispenser Top
17143	Dispenser Top Clear Lens
17146	Rubber Insert
17147	Powder Die E-Clip
17148	1 1/4 Die Lock Ring
17149	1.0 Die Lock Ring
17153	Manual
17182	SL Frame Machined
17202	Shot Fitting E-Clip
17350	Powder Bar Return Rod
17351	Die Lock Bolt
17352	Spring Button
17353	Phish Spring Socket
17354	Gate 3
17472	#8 Washer .032 Thick
17474	10-32 x 5/8 Tray Cover Screw
17476	Shot Drain
17477	Collet Sizer Spring
17479	Clear Industrial Vinyl Tubing
17509	Box
17573	Shot Drain Ext. Spring
17601	Washer .100 Thick
17603	Black Knob
17604	Clevis Pin
17637	1/4-20 x 4 1/2 Hex Head Screw
17639	.175 dia. x 1/4-20 Post
17812	Primer Seater Assembly
17815	Clear Primer Tray Cover
17816	SL Primer Slide Upper
17837	Tyton Clamp
17838	P/M Lock Link
17839	P/M Slotted Bellcrank
17843	SL 900 Foam Insert Set
17899	Stem Screw
17909	Eight Star Crimp
18086	Rod Bushing
17817	SL900 Powder Measure Assy
19201	Primer Feed System Assembly
20536	SL Casefeed Tube - white label
22134	Shot Dispenser Assy - 12 ga.
22140	1/2-1 oz. Shot Bar Assembly
22183	Roller Handle Assembly
22292	Magnetic Pick-Up Wand
97037	12 Ga. Casefeeder - 110v
97120	Red Flag
N/A	Lock Link
N/A	Lock Link Torsion Spring
N/A	Pivot Pin
N/A	Return Spring Pin
N/A	Shot Bellcrank Rivet
N/A	SL Bellcrank Stud
N/A	Spare Parts Bag

# SL 900 Mounting Assembly

Part #	Description
13856	1/4 Washer SAE
13911	1/4-20 x 2 3/4 Bolts
13988	1/4-20 Nuts
16065	650 Machine Mounts
16221	1/4 Fender Washer
16222	1/4-20 x 1 1/2 Hex Bolts
16672	Shotshell Chute
17125	Dillon Bin



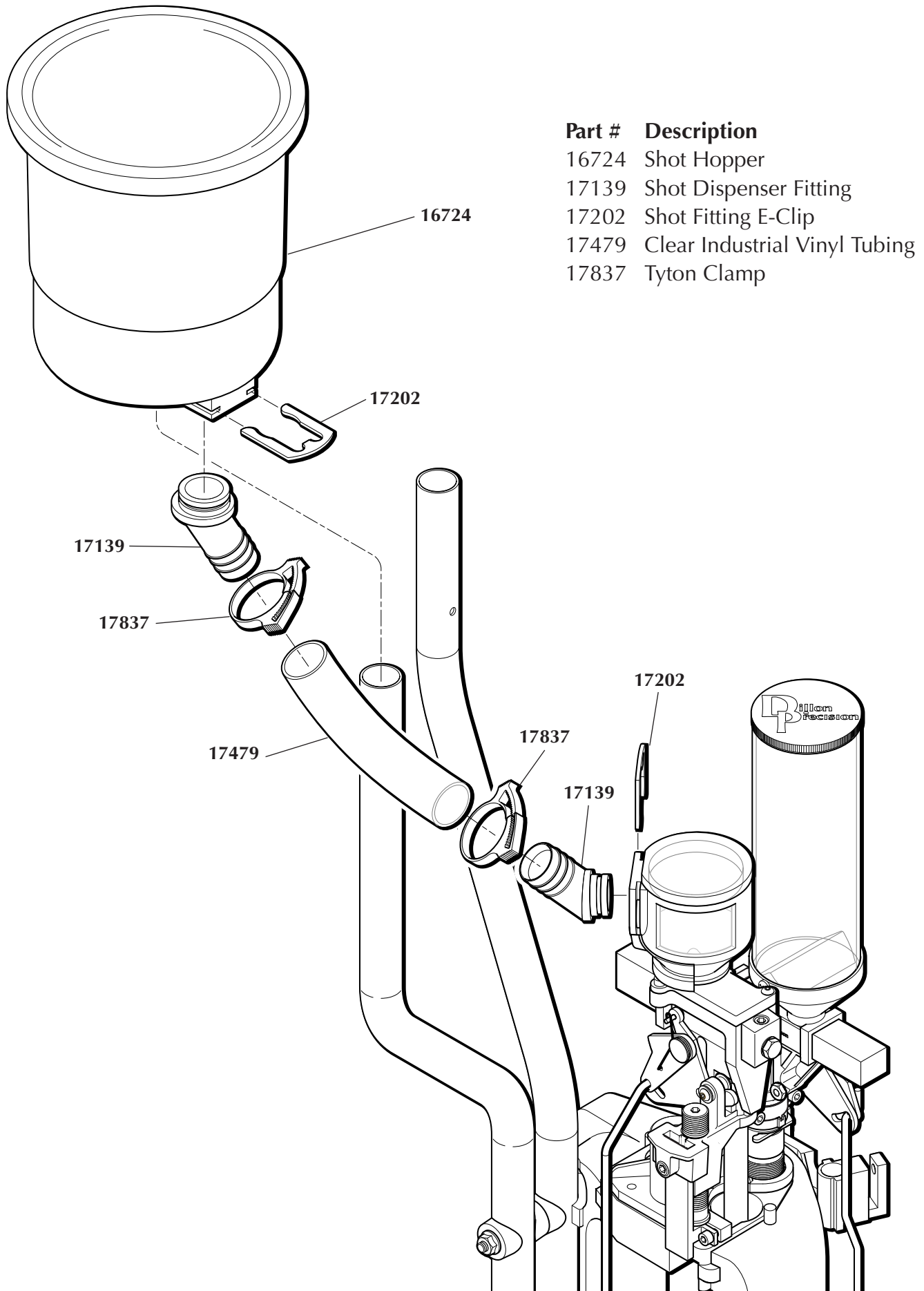
# Upper Machine Assembly



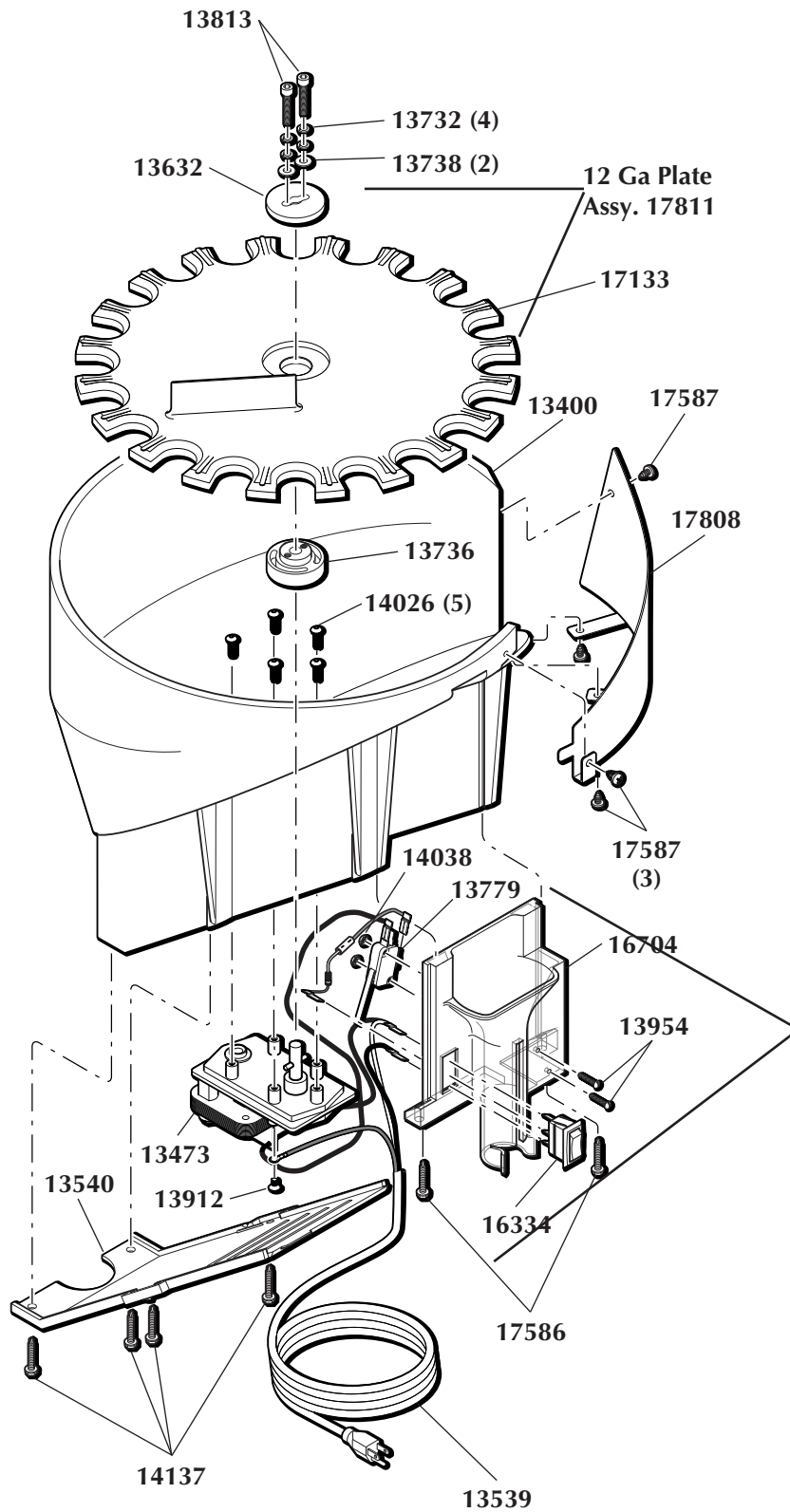
Part #	Description
13418	Shellplate Bolt
13613	Clamp
13667	Index Pawl
13677	Ring Indexer
13791	Indexer Return Spring
13856	1/4 Washer SAE
13938	Pawl Spring
13966	1/4-28 x 3/4 SHCS
13988	1/4-20 Nuts
13989	10-24 x 5/8 SHCS
16675	Shellplate, 12 ga.
16676	Ejector Wire
16699	Spent Primer Cup
17123	SL 900 Casefeed Post
17124	Shot Post
17637	1/4-20 x 4 1/2 Hex Head Screw

\* indicates a gauge specific part

# Shot Container Assembly

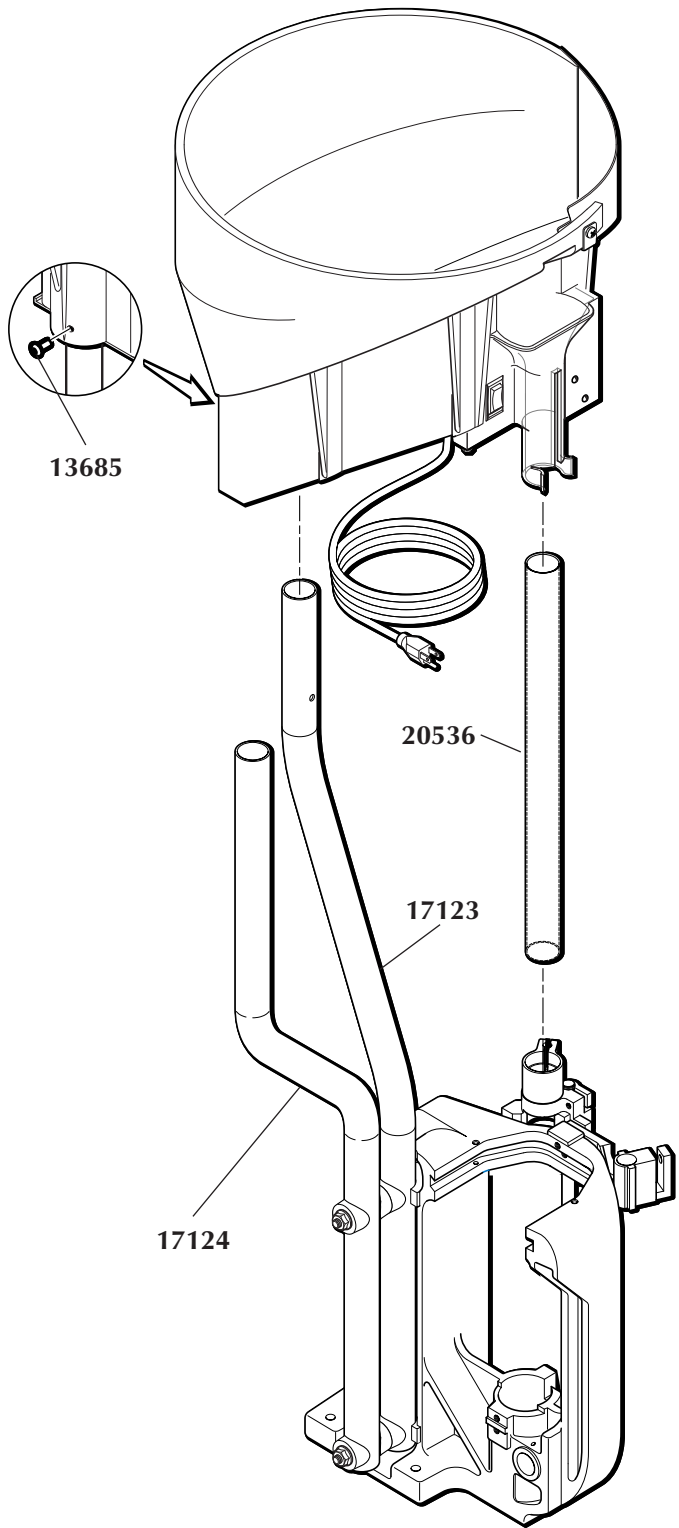


# Casefeeder Assembly



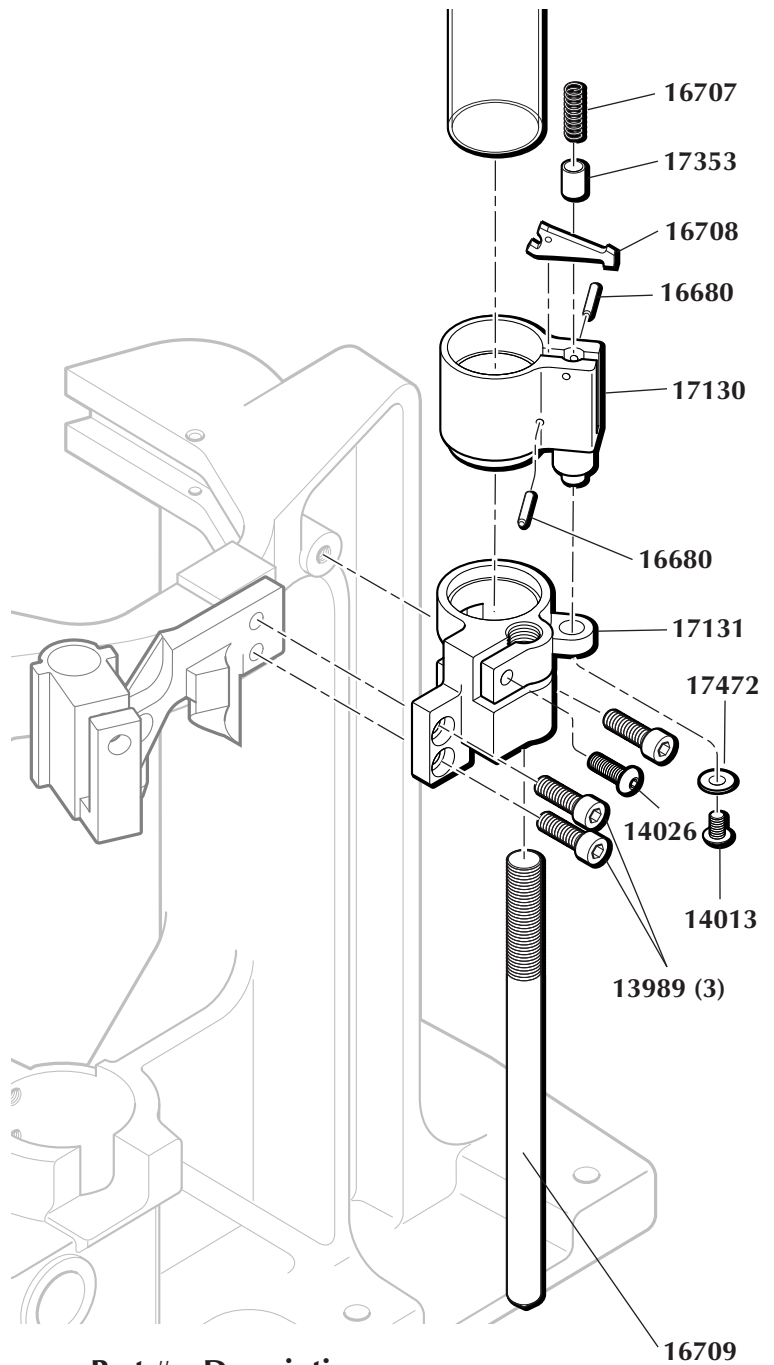
Part #	Description
13400	Casefeed Bowl
13473	Casefeed Motor - 4 RPM
13539	Casefeed Cord Set
13540	Casefeed Motor Cover
13632	Casefeed Upper Disc Clutch
13685	1/4-20x5/8 BHCS
13732	10-32x1.00 SHCS
13736	Clutch
13738	SS Washers
13813	Lockwashers
13833	1/4 Terminal Connector
13903	1/4-20 Heli Coil
13912	8-32 Flat Head Screw
14025	1/8x3/4 Roll Pin
14026	Bowl/Motor Screws
14137	8x1 Cover Screw Zn.
16314	Butt. Connector
16336	Red 1/4 female Insulated Connector
16337	Blue 1/4 female Insulated Connector
17133	Shotshell Disc
17585	Zener Diode 1N5361B
17587	8x1/4 PHL. PN. Screws
17808	Casefeed Bowl Insert
97037	12 ga. Casefeed Assembly - 110v
<b>97108</b>	<b>Shotshell Funnel Assembly</b>
13779	Micro Switch
13954	4-40 Screws
14038	40-40 Nuts
16334	Lighted Rocker Switch
16704	Shotshell Funnel
17586	8x1 1/4 Funnel Screw

## Casefeeder Bowl Mount



Part #	Description
13685	1/4x20x5/8 Screw
17123	SL 900 Casefeed Post
17124	Shot Post
20536	SL 900 Casefeed Tube - white label

## Casefeed Assembly to Frame

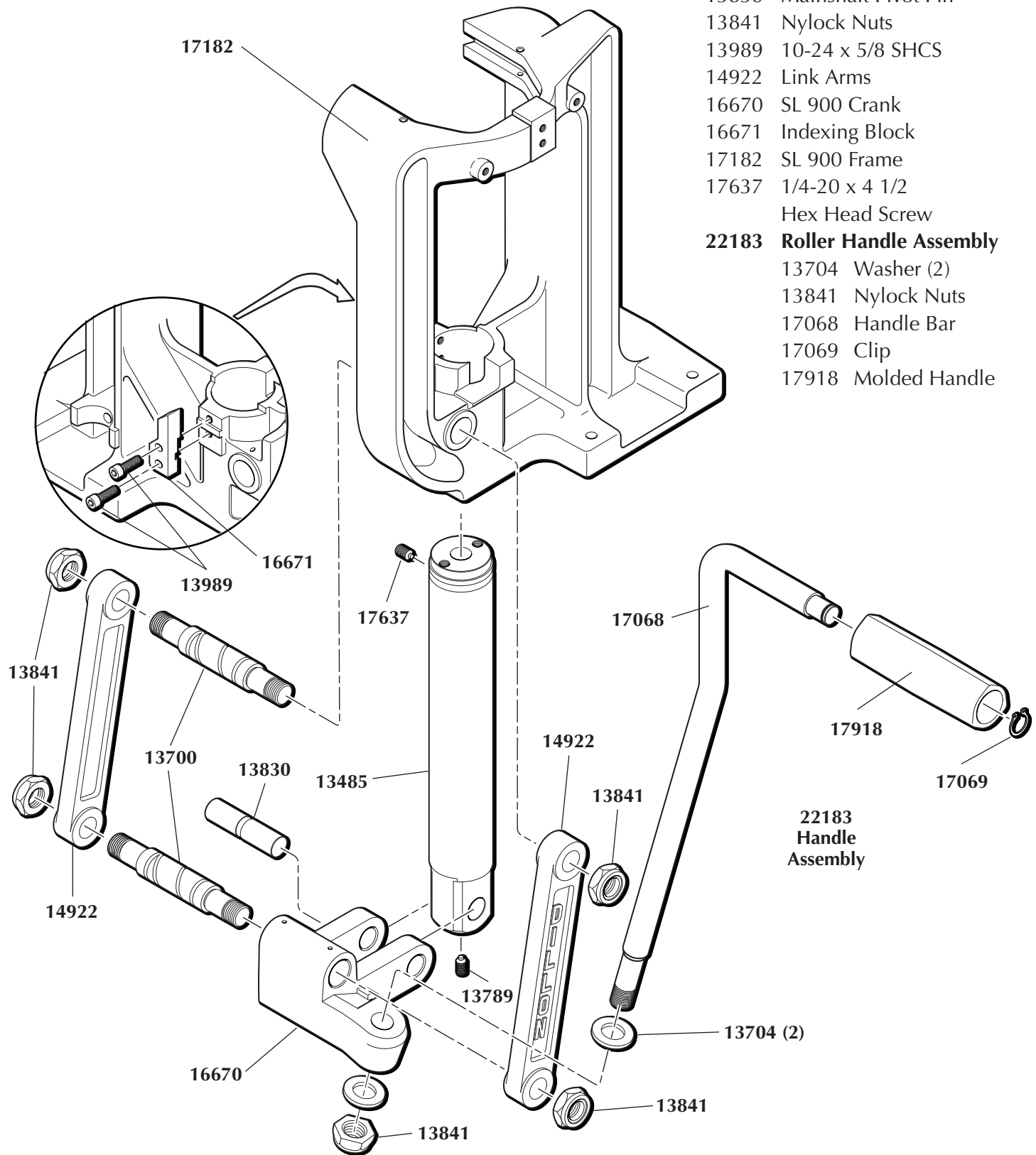


Part #	Description
13989	10-24 x 5/8 SHCS
14013	8-32x3/8 SHCS
14026	8-32 x 1/2 BHCS
16680	1/16 x 1/2 Roll Pin
16707	Phish Compression Spring
16708	Casefeed Phish
16709	Camming Pin
17130	Casefeed Sleeve, 12 Ga.
17131	Casefeed Body
17353	Phish Spring Socket
17472	#8 Washer .032 Thick



# Lower Machine Assembly

Part #	Description
13485	Mainshaft
13700	Link Arm Shoulder Pin
13789	1/4-28 Set Screw
13830	Mainshaft Pivot Pin
13841	Nylock Nuts
13989	10-24 x 5/8 SHCS
14922	Link Arms
16670	SL 900 Crank
16671	Indexing Block
17182	SL 900 Frame
17637	1/4-20 x 4 1/2 Hex Head Screw
<b>22183</b>	<b>Roller Handle Assembly</b>
13704	Washer (2)
13841	Nylock Nuts
17068	Handle Bar
17069	Clip
17918	Molded Handle



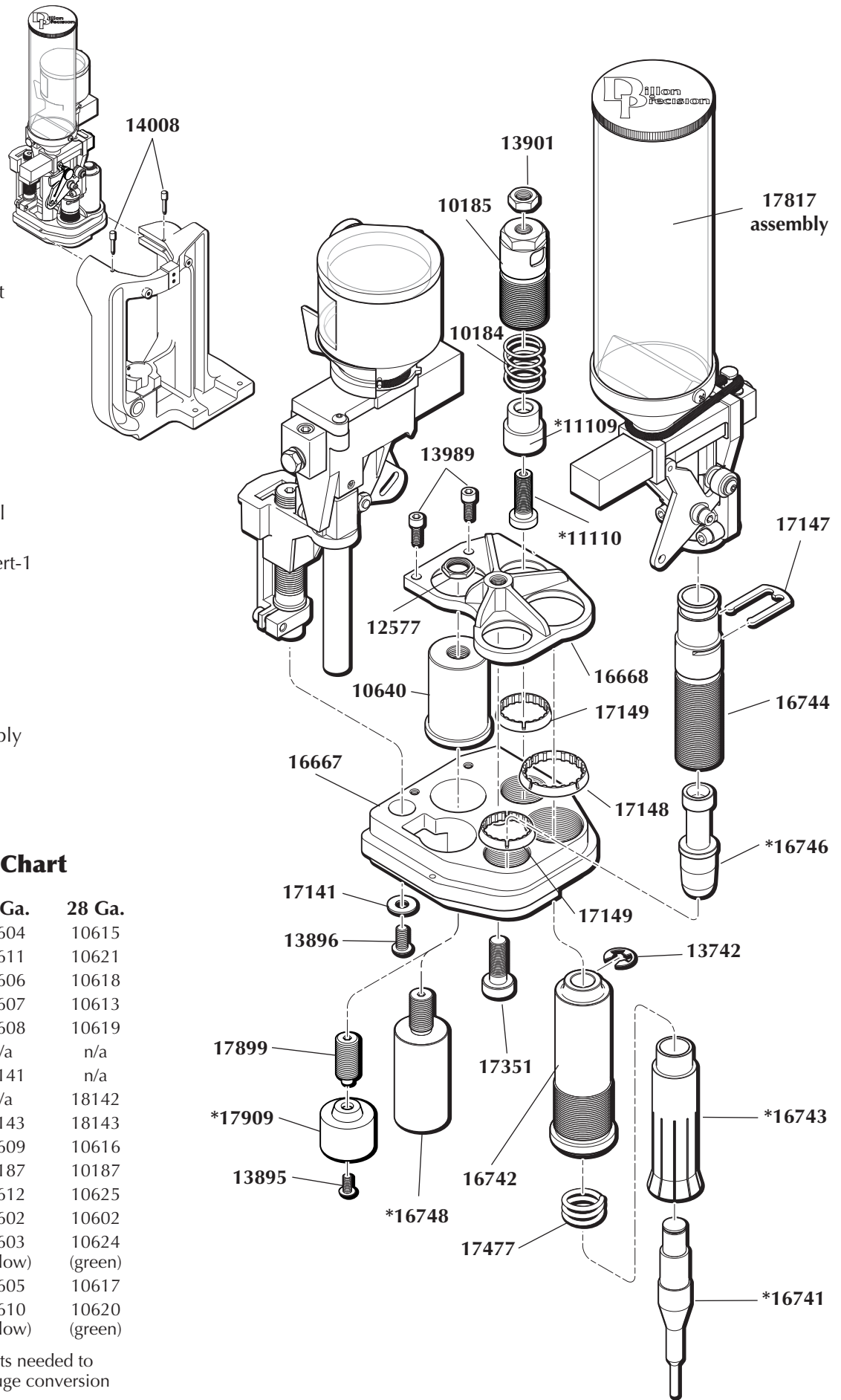
# Toolhead Assembly

- | Part # | Description                   |
|--------|-------------------------------|
| 10184  | Crimp Die Spring              |
| 10185  | Crimp Die Sleeve              |
| 11109  | 12 ga. Crimp Die              |
| 11110  | 12 ga. Seat Plug              |
| 12577  | 1/2-20 Jam Nut                |
| 13742  | 1/2 E-Clip                    |
| 13895  | 10-24x3/8 BHCS                |
| 13896  | 1/4-20 x 3/8 BHCS             |
| 13901  | 3/8x24 Cam Pin Jam Nut        |
| 13989  | 10-24 x 5/8 SHCS              |
| 14008  | Toolhead Pins                 |
| 16667  | Toolhead                      |
| 16668  | Toolhead Die Lockplate        |
| 16741  | Depriming Pin                 |
| 16742  | SL Sizer Collet Sleeve        |
| 16743  | Collet Sizer Die, 12 Ga.      |
| 16744  | SL Powder Die                 |
| 16746  | Expander Powder Funnel        |
| 10640  | Starter Crimp Die             |
| 16748  | Dillon Starter Crimp Insert-1 |
| 17141  | 1/4 Hardened Washer           |
| 17147  | Powder Die E-Clip             |
| 17148  | 1 1/4 Die Lock Ring           |
| 17149  | 1.0 Die Lock Ring             |
| 17351  | Die Lock Bolt                 |
| 17477  | Collet Sizer Spring           |
| 17817  | Powder Measure Assembly       |
| 17899  | Stem Screw                    |
| 17909  | Eight Star Crimp              |
| 18140  | Six Star Crimp                |

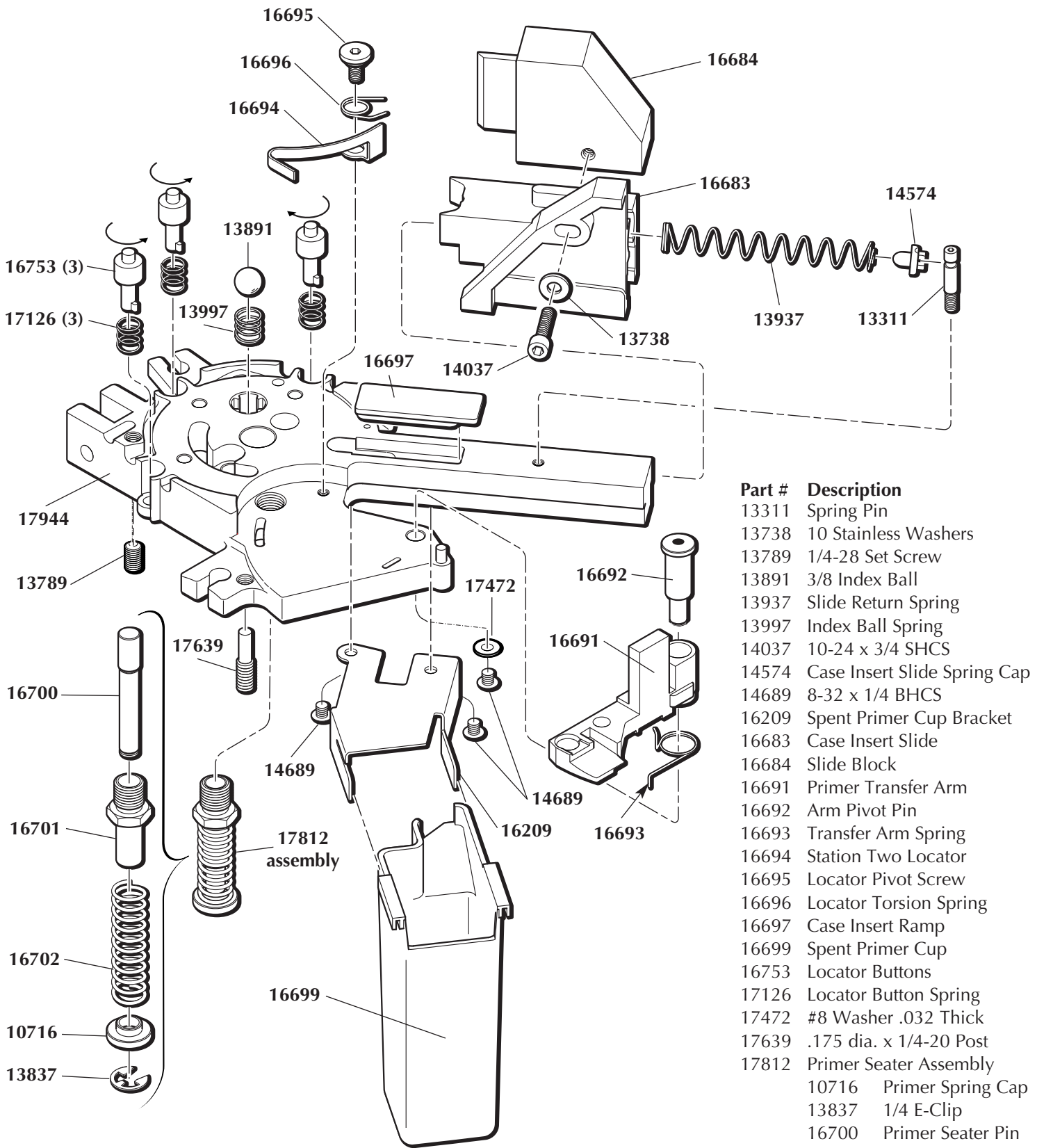
## Gauge Conversion Chart

part description	12 Ga.	20 Ga.	28 Ga.
Crimp Die	11109	10604	10615
Seat Plug	11110	10611	10621
Collet Sizer	16743	10606	10618
Decap Pin	16741	10607	10613
Powder Funnel	16746	10608	10619
Star Crimp Insert	16748	n/a	n/a
Starter Crimp, 8-star	17909	18141	n/a
Starter Crimp, 6-star	18140	n/a	18142
Threaded Screw	17899	18143	18143
Shot Drop Tube	16726	10609	10616
Shot Bar Insert	16739	10187	10187
Shellplate	16675	10612	10625
Locator Button	16753	10602	10602
Locator Insert	n/a	10603 (yellow)	10624 (green)
Casefeed Sleeve	17130	10605	10617
Wad Guide	16681 (red)	10610 (yellow)	10620 (green)

This chart does not detail **ALL** the parts needed to convert to another gauge. See the gauge conversion sections of this manual.



# Platform Assembly



Part #	Description
13311	Spring Pin
13738	10 Stainless Washers
13789	1/4-28 Set Screw
13891	3/8 Index Ball
13937	Slide Return Spring
13997	Index Ball Spring
14037	10-24 x 3/4 SHCS
14574	Case Insert Slide Spring Cap
14689	8-32 x 1/4 BHCS
16209	Spent Primer Cup Bracket
16683	Case Insert Slide
16684	Slide Block
16691	Primer Transfer Arm
16692	Arm Pivot Pin
16693	Transfer Arm Spring
16694	Station Two Locator
16695	Locator Pivot Screw
16696	Locator Torsion Spring
16697	Case Insert Ramp
16699	Spent Primer Cup
16753	Locator Buttons
17126	Locator Button Spring
17472	#8 Washer .032 Thick
17639	.175 dia. x 1/4-20 Post
17812	Primer Seater Assembly
10716	Primer Spring Cap
13837	1/4 E-Clip
16700	Primer Seater Pin
16701	Bushing
16702	Primer Seater Spring
17944	SL 900 Platform

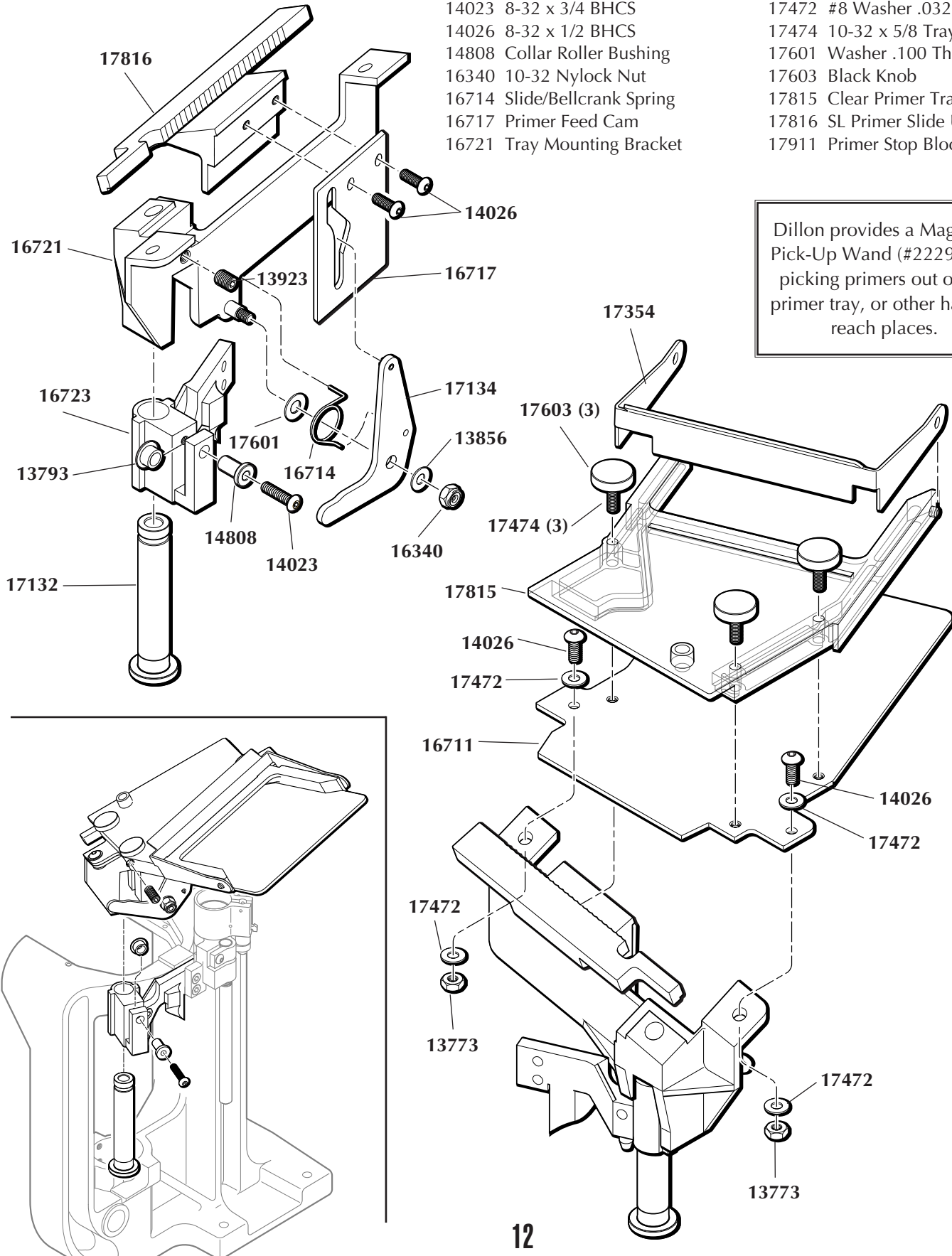
# Primer Feed System Assembly - #19201

**Part # Description**

- 13773 8-32 Nut
- 13793 Collar Roller
- 13856 1/4 Washer SAE
- 13923 1/4-28 Brass Tip Set Screw
- 14023 8-32 x 3/4 BHCS
- 14026 8-32 x 1/2 BHCS
- 14808 Collar Roller Bushing
- 16340 10-32 Nylock Nut
- 16714 Slide/Bellcrank Spring
- 16717 Primer Feed Cam
- 16721 Tray Mounting Bracket

**Part # Description**

- 16723 Primer Feed Body
- 17132 Primer Drop Tube
- 17134 Primer Bellcrank
- 17354 Gate 3
- 17472 #8 Washer .032 Thick
- 17474 10-32 x 5/8 Tray Cover Screw
- 17601 Washer .100 Thick
- 17603 Black Knob
- 17815 Clear Primer Tray Cover
- 17816 SL Primer Slide Upper
- 17911 Primer Stop Block (with flag)



Dillon provides a Magnetic Pick-Up Wand (#22292) for picking primers out of the primer tray, or other hard to reach places.

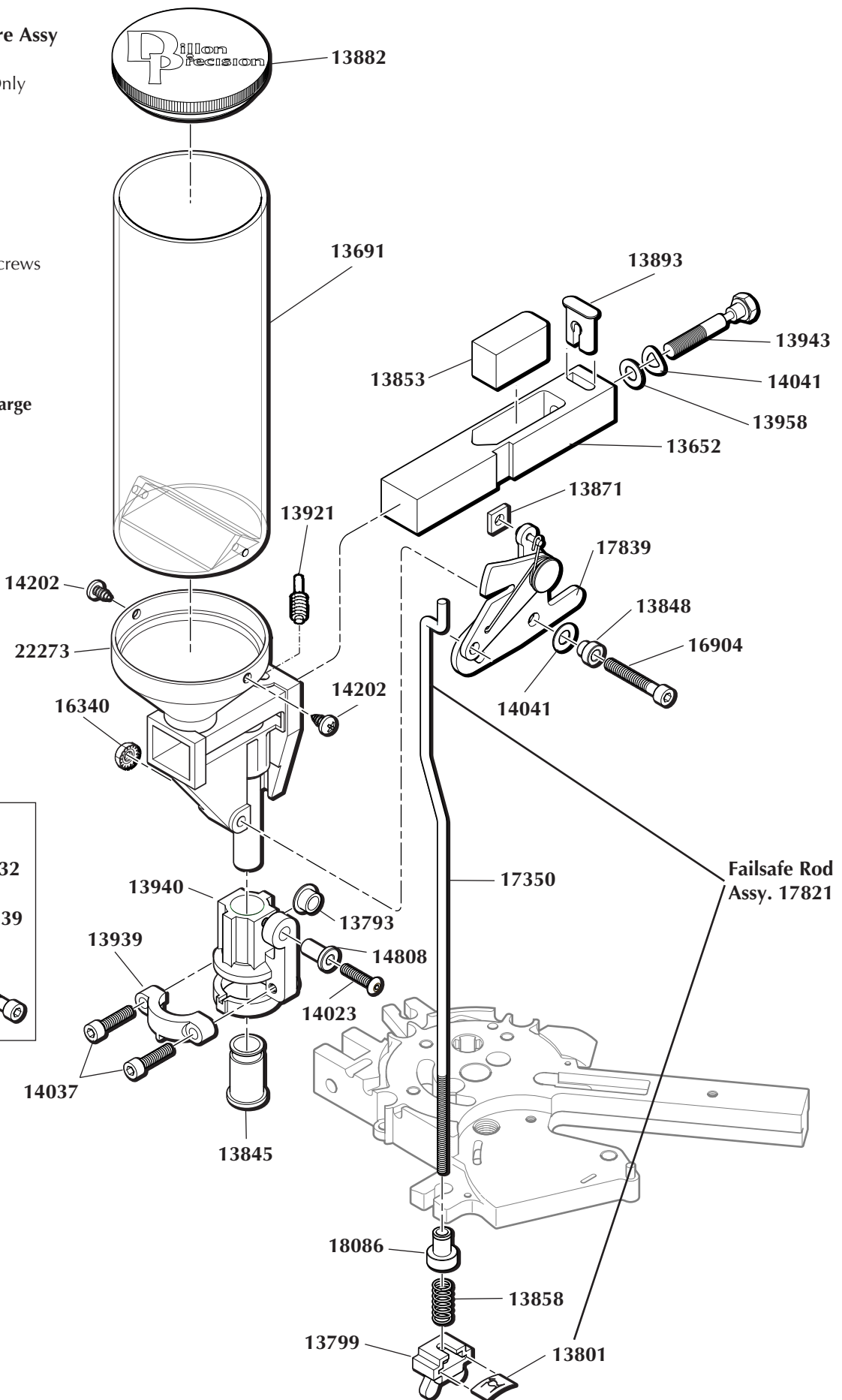
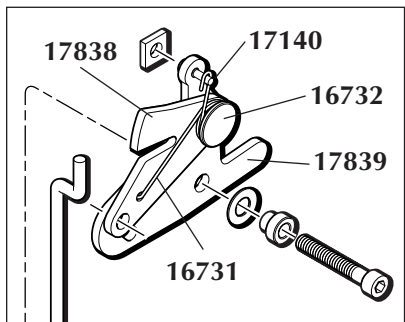
# Automatic Powder Measure Assembly - #17817

**17817 SL900 Powder Measure Assy**

- | Part #       | Description                       |
|--------------|-----------------------------------|
| 13691        | Powder Measure Tube Only          |
| 13793        | Roller                            |
| 13845        | Collar Sleeve                     |
| 13882        | Powder Measure Lid                |
| 13921        | Powder Measure Plug               |
| 13939        | Body Collar Clamp                 |
| 13940        | Connector Body Collar             |
| 14023        | 8-32 x 3/4 BHCS                   |
| 14037        | 10-24 x 3/4 SHCS (2)              |
| 14202        | Powder Measure Tube Screws        |
| 14808        | Collar Roller Bushing             |
| 16340        | Nylon Lock Nut                    |
| 16731        | Spring                            |
| 16732        | Pivot Pin                         |
| 17140        | Pin                               |
| 22273        | Powder Dispenser Body             |
| <b>20063</b> | <b>Powder Bar Assembly, Large</b> |
| 13652        | Powder Bar Part, Large            |
| 13853        | Powder Bar Insert, Large          |
| 13893        | Powder Bar Post, Large            |
| 13943        | Powder Bar Bolt                   |
| 13958        | Powder Bar Bolt Washer            |
| 14041        | Bowed Washer                      |

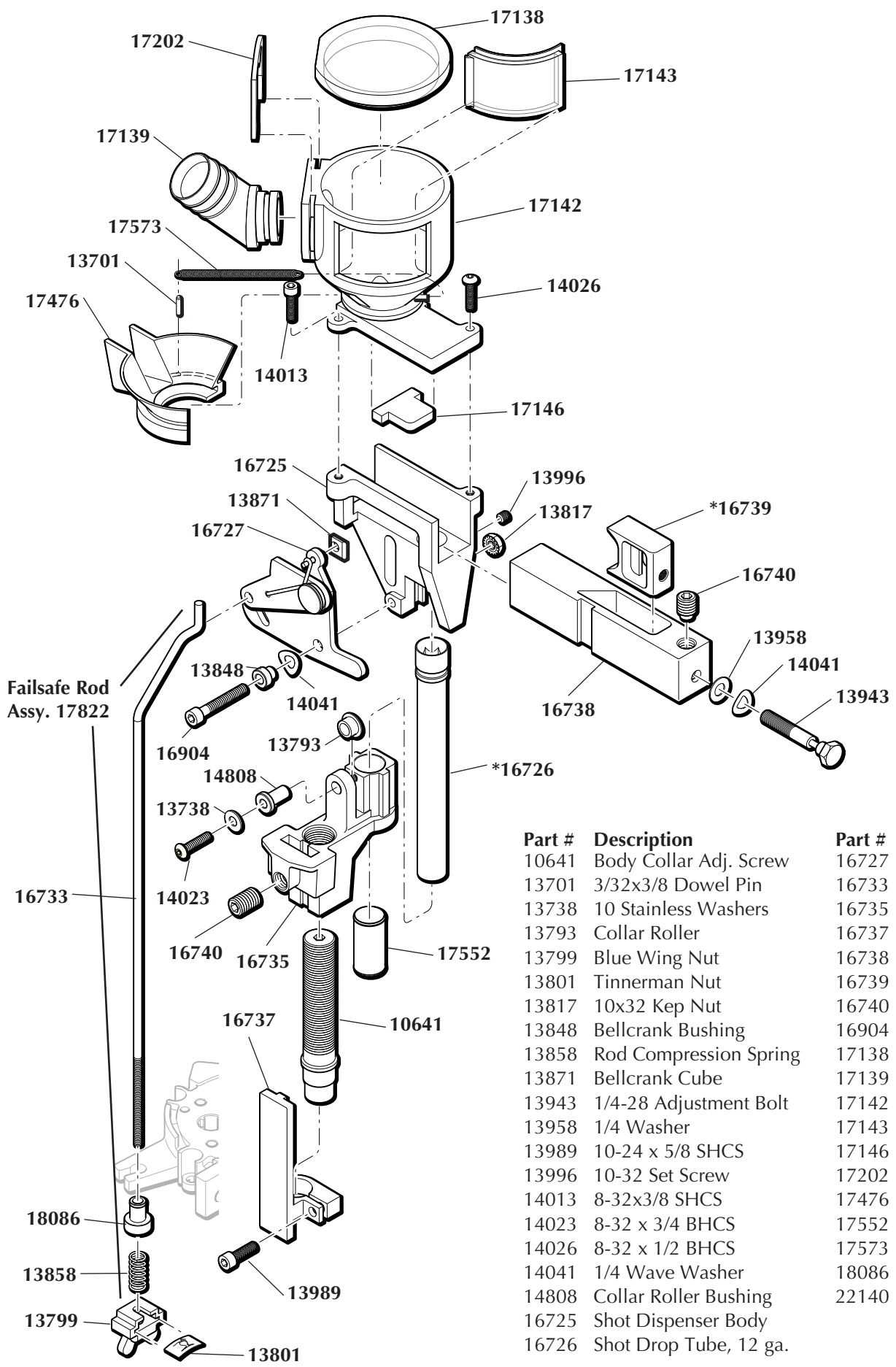
**Return Rod Assembly**

- |       |                        |
|-------|------------------------|
| 13799 | Blue Wing Nut          |
| 13801 | Tinnerman Nut          |
| 13848 | Bellcrank Bushing      |
| 13858 | Rod Compression Spring |
| 13871 | Bellcrank Cube         |
| 14041 | Bowed Washer           |
| 16904 | 10-32x1 1/2 SHCS       |
| 17350 | Powder Bar Return Rod  |
| 17838 | P/M Lock Link          |
| 17839 | P/M Slotted Bellcrank  |
| 18086 | Rod Bushing            |



Failsafe Rod Assy. 17821

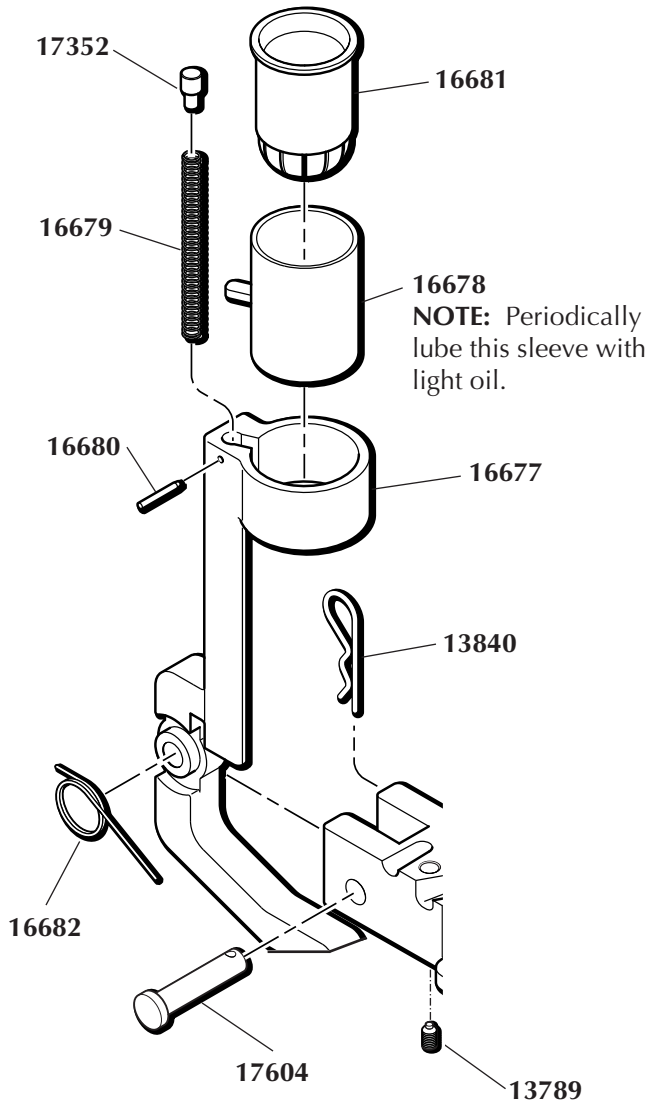
# Shot Dispenser Assembly - #22134, 12 gauge shown



Part #	Description	Part #	Description
10641	Body Collar Adj. Screw	16727	Shot Dispenser Bellcrank
13701	3/32x3/8 Dowel Pin	16733	Shot Bar Return Rod
13738	10 Stainless Washers	16735	Shot Body Collar
13793	Collar Roller	16737	Collar Guide/Clamp
13799	Blue Wing Nut	16738	Shot Bar
13801	Tinnerman Nut	16739	Shot Bar Insert
13817	10x32 Kep Nut	16740	3/8-16 half dog set screw
13848	Bellcrank Bushing	16904	1 1/2-10/32 SHCS
13858	Rod Compression Spring	17138	Clear Dispenser Lid
13871	Bellcrank Cube	17139	Shot Dispenser Fitting
13943	1/4-28 Adjustment Bolt	17142	Shot Dispenser Top
13958	1/4 Washer	17143	Shot Dispenser Window
13989	10-24 x 5/8 SHCS	17146	Rubber Insert
13996	10-32 Set Screw	17202	Shot Fitting E-Clip
14013	8-32x3/8 SHCS	17476	Shot Drain
14023	8-32 x 3/4 BHCS	17552	Sleeve
14026	8-32 x 1/2 BHCS	17573	Shot Drain Ext. Spring
14041	1/4 Wave Washer	18086	Rod Bushing
14808	Collar Roller Bushing	22140	1/2-1 oz. Shot Bar Assembly for 20 & 28 ga.
16725	Shot Dispenser Body		
16726	Shot Drop Tube, 12 ga.		

\* indicates a gauge specific part

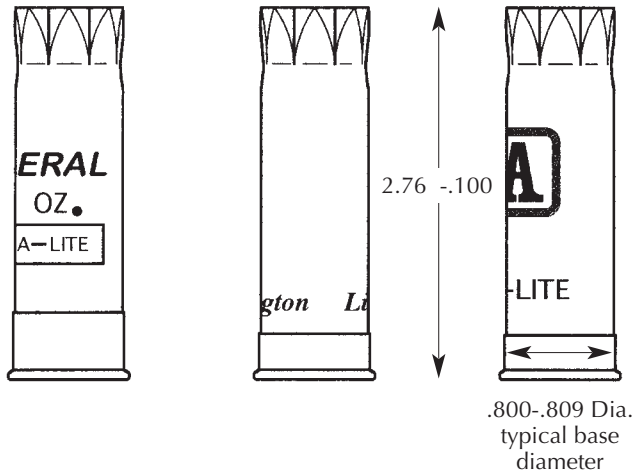
# Wad Guide/Swing Arm Assembly #16802 - 12 gauge shown



Part #	Description
13789	1/4-28 Set Screw
13840	Hitch Pin Clip
16677	Wad Swing Arm
16678	Wad Guide Sleeve
16679	Sleeve Compression Spring
16680	1/16 x 1/2 Roll Pin
16681	Wad Guide
16682	Swing Arm Torsion Spring
17352	Spring Button
17604	Clevis Pin

# Finished Shotshell Dimensions

Here are some dimensions of a typical 12ga. shotshell. Always use a quality dial caliper when measuring your shotshells. Length may vary dependent upon shotshell manufacturer. Dimensions shown are for maximum, uncrimped overall length. If you find it necessary to adjust the collet size die, try to shoot for a middle of the road measure of the brass base.

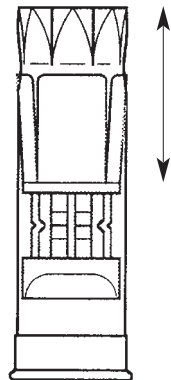


### Wad Seated Depth

When developing loads for shotshells be aware of your "wad seated depth." Here's a reference guide for the popular wad and shot weight used presently.

Wad & Shot	Approx. Depth
7/8 - 1 oz.	1.12 - 1.20
1 1/8 oz.	1.30 - 1.35
1 1/4 oz.	1.45 - 1.50

Example, if your loads currently use a wad for 1 1/8 oz. of shot and you decide to reduce your shot weight and switch to 7/8 of an ounce wads, readjust the shot dispenser tube via the body collar adjustment screw. Clockwise rotation raises the shot dispenser tube and decreases the depth the wad is seated into the shotshell. Counterclockwise rotation lowers the shot dispenser tube and the wad will get seated deeper into the shotshell.



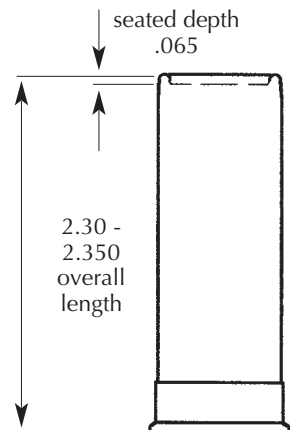
### Finished Round Information

Your loaded round length will vary due to loads used, type of wads, and brand of shotshells.

We found that a majority of the Winchester ammo loaded fell toward 2.30 - 2.325 length.

The Remington and Federal ammo loaded measured 2.33 - 2.350 overall length.

Always use a reputable loading manual when reloading shotshells.



## MANDATORY SAFETY MEASURES

Reloading ammunition and handling powder and primers is inherently dangerous. Just as in shooting, accidents do happen. These accidents are nondiscriminatory; they happen to both the novice and the experienced reloader.

We have done everything we know how to make your machine as safe as possible. We cannot, however, guarantee your complete safety. To minimize your risk, use common sense when reloading and follow these basic rules:

Never operate the machine without ear and eye protection on. Call our customer service department at (800) 223-4570 for information on the wide variety of shooting/safety glasses and hearing protection that Dillon has to offer.

- **PAY ATTENTION:** Load only when you can give your complete attention to the loading process. Don't watch television or try to carry on a conversation and load at the same time. Watch the automatic systems operate and make sure they are functioning properly. If you are interrupted or must leave and come back to your loading, always inspect the hulls at every station to insure that the proper operations have been completed.
- **SMOKING:** Do not smoke while reloading or allow anyone else to smoke in your reloading area. Do not allow open flames in reloading area.
- **SAFETY DEVICES:** Do not remove any safety devices from your machine or modify your machine in any way.
- **MODIFICATIONS:** Any modifications performed to a machine, or the addition of any unapproved equipment from other manufacturers will void the warranty.
- **LEAD WARNING:** Be sure to have proper ventilation while handling lead components or when shooting lead bullets. Lead is known to cause birth defects, other reproductive harm and cancer. Wash your hands thoroughly after handling anything made of lead.
- **LOADS AND LENGTHS:** Avoid maximum loads and pressures at all times. Use only recommended loads from manuals and information supplied by reliable component manufacturers and suppliers. Since Dillon Precision has no control over the components which may be used on their equipment, no responsibility is implied or assumed for results obtained through the use of any such components.

Refer to a reliable loading manual for overall length (OAL).

- **QUALITY CHECKS:** Every 50-100 rounds, perform periodic quality control checks on the ammunition being produced. Check the amount of powder being dropped and primer supply.
- **RELOADING AREA:** Keep your components safely stored. Clear your work area of loose powder, primers and other flammables before loading.
- **COMPONENTS:** Never have more than one type of powder in your reloading area at a time. The risk of a mix-up is too great. Keep powder containers closed.

Be sure to inspect hulls prior to reloading for flaws, cracks, splits or defects. Throw these hulls away.

Keep components and ammunition out of reach of children.

- **WINCHESTER HULLS:** Please be aware that Winchester has redesigned the AA target hull. This hull is no longer a one-piece extruded design. Now, it is a two-piece hull incorporating an inner reinforcing tube

which extends partway up the interior of the hull.

Winchester wads have been redesigned to work with this new design. Additionally, some after-market wads are now available which are compatible with the redesigned hulls. Other wads may not be compatible with the new AA hulls.

We suggest that you visually inspect your hulls, and load the old and new style hulls separately, using components appropriate to each style of hull.

- **BLACK POWDER:** Do not use black powder or black powder substitutes in any Dillon powder measure.

Loading black powder cartridges requires specialized loading equipment and techniques. Failure to do so can result in severe injury or death.

- **PRIMERS:** Never force primers. If they get stuck in the operation of the machine, disassemble it and gently remove the obstruction.

Never attempt to deprime live primers – eventually one will go off. When it does it will detonate the others in the spent primer cup. Depriming live primers is the single most dangerous thing you can do in reloading and can cause grave injury or death.

- **LOADED AMMUNITION:** Properly label all of your loaded ammunition (Date, Type of wad, primer, powder, shot charge, etc.).

• **BE PATIENT:** Our loading equipment is conservatively rated and you should have no trouble achieving the published rates with a smooth, steady hand. If something doesn't seem right, stop, look and listen. If the problem or the solution isn't obvious, call us. The reloading bench is no place to get into a hurry.

- **REMEMBER:** If your machine does not perform to your expectations, or if you are having technical difficulties, give us a call: (800) 223-4570 or see our troubleshooting page online at [www.dillonprecision.com](http://www.dillonprecision.com)

### General Machine Information

Based on our XL 650 machine frame, the SL 900 comes to you with some great automated features.

Starting from the right rear of the machine, the SL 900 features an electric casefeeder. This unit holds approximately 80 empty hulls; enough for three boxes of shotshells.

Turn the electric casefeeder on and the shotshell disc (#17133) will rotate until the feed tube has filled, then the microswitch will shut the unit off. Every stroke of the roller handle (#22183) transfers one empty hull from the feed tube to the shellplate via the case insert slide ramp. Once a hull has been placed in station one of the machine, moving the roller handle (#22183) down will resize the brass base of the hull, expand the mouth of the hull and remove the old primer. **NOTE:** Always examine the hulls for rocks, dirt, mud or other cases that may get stuck inside. Also look for hulls that may appear stepped on or flattened. Go ahead and squeeze them round again so they won't get stuck in the casefeed tube (#20536). Returning the roller handle (#22183) to its full aft position will advance the hull to station two, where a new primer is inserted into the hull when you push the roller handle (#22183) aft.



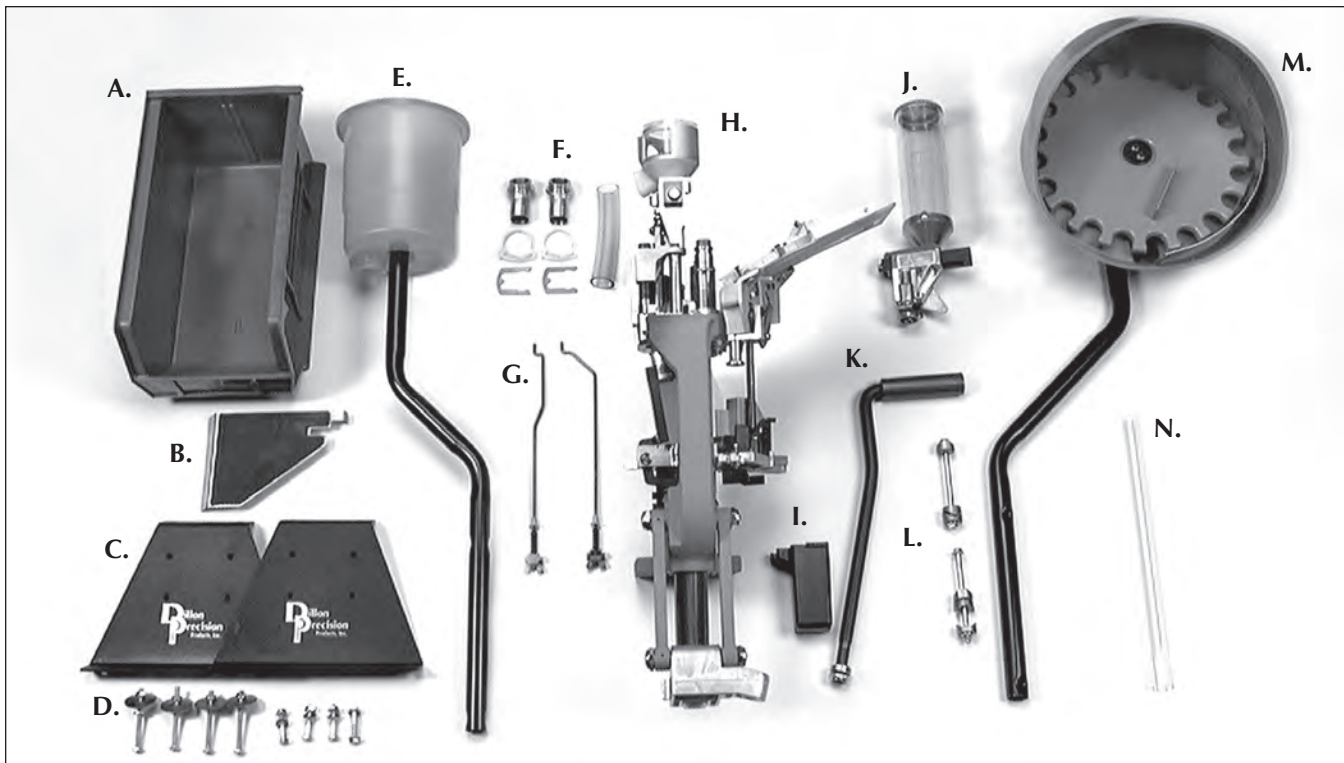


Fig. 1 - A.) Dillon Bin B.) Shotshell Chute C.) Strong Mounts D.) Universal Mounting Kit and Hardware needed for Strong Mount installation E.) Shot Container and Post F.) Shot Dispenser Hardware G.) Shot Bar Return Rod and Powder Bar Return Rod

H.) SL 900 Toolhead and Frame I.) Spent Primer Cup J.) powder measure K.) Roller Handle L.) Hardware for Shot Post and Casefeed Post Assembly M.) Casefeed Bowl and Post N.) Clear Casefeed Tube

The automatic primer system holds 100 shotshell primers. Every complete stroke of the roller handle (#22183) will feed a primer to the hull.

The automatic powder system is also located at station two. The hopper holds one half pound of powder and has a fully adjustable powder bar. The automatic powder system is hull activated. Move the roller handle (#22183) down. When the hull contacts the expander/powder funnel (#16746), the powder measure is pushed up, causing the powder bar to move and dispense one charge of powder into the hull. Raise the roller handle (#22183) to its rest position. The powder bar will recharge and the hull will advance to station three.

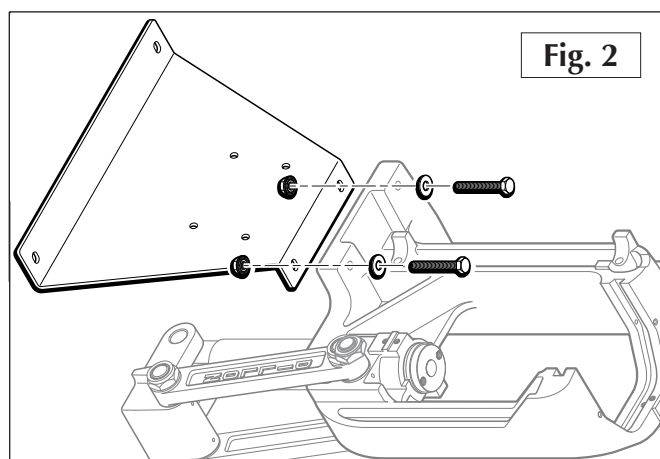
At the third station (left, front of the machine) we will insert the wad and meter the shot into the shell. Move the roller handle (#22183) aft as if you are seating a primer into the hull. You will see the wad swing arm (#16677) tilt out, ready to accept a new wad. With every complete stroke of the roller handle (#22183), insert a new wad into the wad swing arm (#16677) when it tilts out.

Move the roller handle (#22183) down. The shot drop tube (#16726) inserts the new wad into the empty hull and will dispense shot into the hull. Raise the roller handle (#22183) and push aft to prime. Hold the handle aft while you insert a wad into the swing arm.

At station four we start the crimp in the top of the loaded hull. It is formed and folded closed, preparing the hull for the final crimp and seating performed in station five.

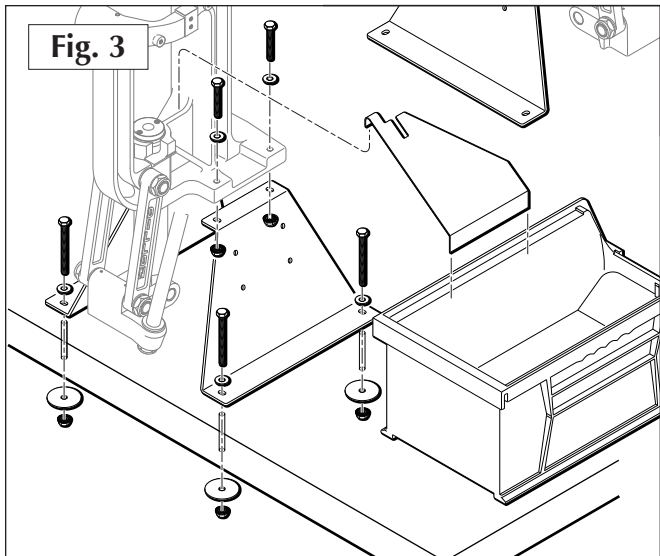
The formed, folded top of the hull will now be crimped and seated closed. This die is fully adjustable. The crimp and seating depth can be adjusted to the desired settings.

This die also has a taper crimp feature inside that will form a tapered end to the hull. Again, move the roller handle (#22183) down and then back up to its rest position. The completed shotshell advances out of the machine, down the shotshell chute (#16672) and into the Dillon bin (#17125).

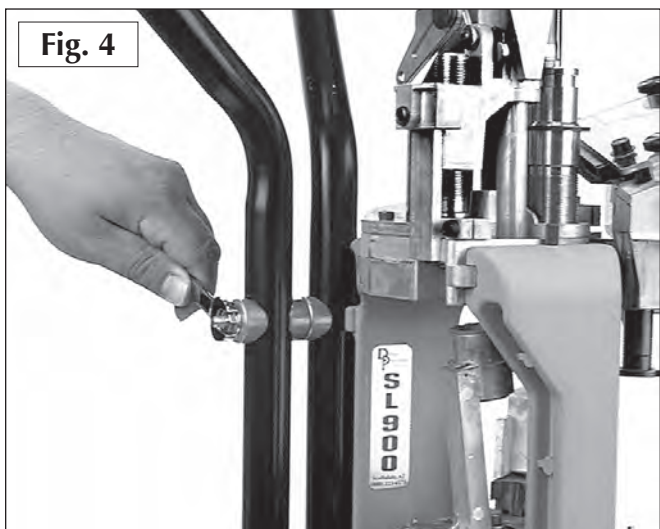


### Step by Step Preliminary Assembly

1. Fasten the strong mounts (#16065) to the base of the machine while it is lying on its side. **Fig. 2**



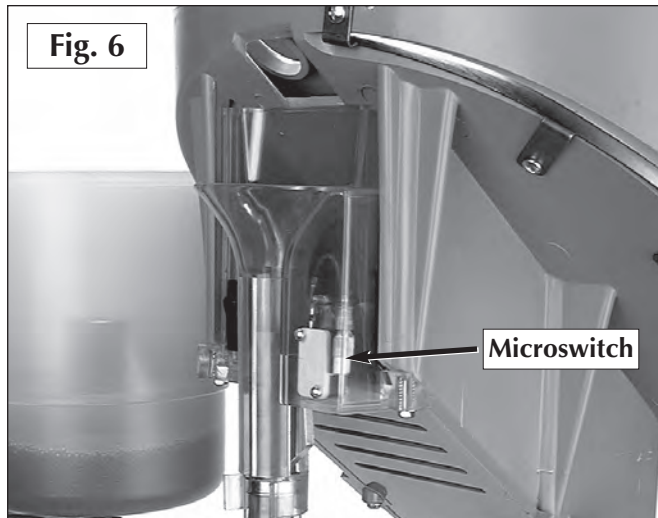
2. Lift the machine up and fasten the machine securely to the forward edge of the bench. **Fig. 3**



3. Install the casefeed post (#17123) and the shot post (#17124) to the frame of the machine using the two long 4 1/2" bolts, 6 clamps (#13613), 2 - 1/4" washers and 1/4-20 nuts. **Fig. 4**



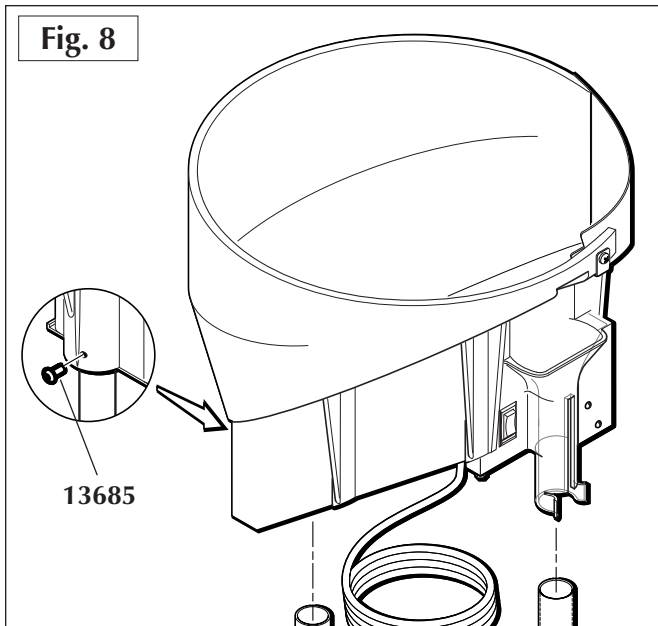
4. Locate the shot container and place it on its post. **Fig. 5**



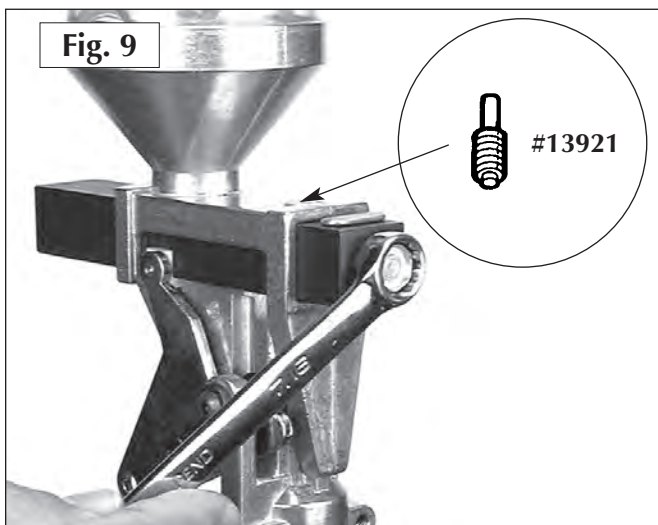
5. Open the casefeeder box. Place the feeder on your bench and plug it into a 110v AC outlet (220v for European casefeeders). Place a handful of empty hulls into the casefeeder (approximately 10). Turn the unit on and familiarize yourself with its operation. Notice how every time an empty hull exits the casefeeder, it passes a microswitch. Later in the loading process, you will see that every time the hull is next to the microswitch the motor will shut off. **Fig. 6**



6. Place the casefeeder on its post. Find the clear feed tube and place the bottom of the tube into the 12 Ga. casefeed sleeve (#17130). Align the casefeeder on the post with the clear feed tube and snap the feed tube into its receiver. Snug the 1/4-20 screw on the rear of the casefeeder to secure the position of the casefeeder. Please do not fill the clear feed tube with empty hulls. This step will be completed later. **Fig. 7**



Be sure to secure the small, but important, screw located at the rear of the bowl at the base. This little screw (#13685) secures the entire bowl assembly to the casefeed post (17123). **Fig. 8**



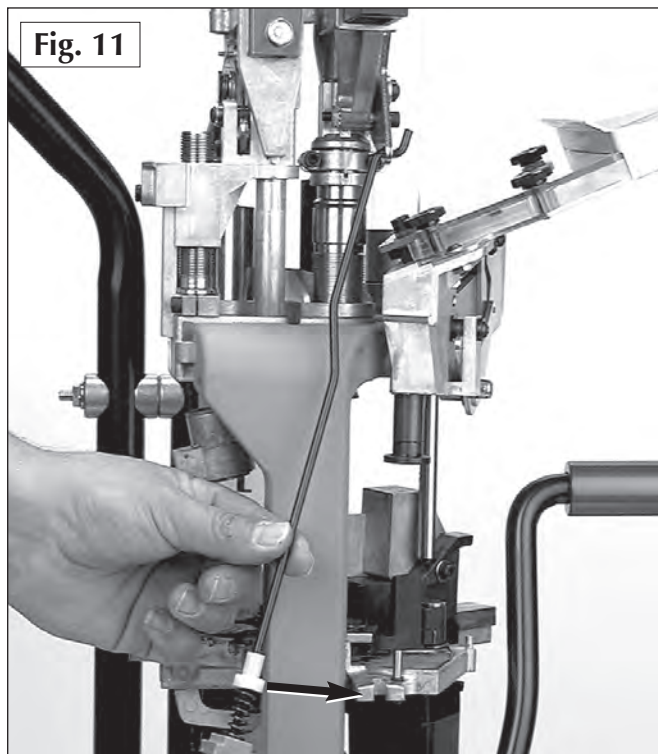
7. The powder measure (#17817) is the next item we'll be installing on the machine. Familiarize yourself with its operation – every complete stroke of the powder bar dispenses one charge of powder. The dispenser is hull activated.

Using a 7/16" wrench, rotate the bolt located on the end of the powder bar – counterclockwise will reduce the powder charge weight, clockwise will increase the powder charge weight. **Fig. 9**

Be sure to install the powder measure plug (#13921) here – see arrow **Fig. 9**.



8. Remove the blue cap on the powder die (#16744). Loosen the two Allen screws and place the powder measure (#17817) on the powder die (#16744). The clamp must lock into the groove of the



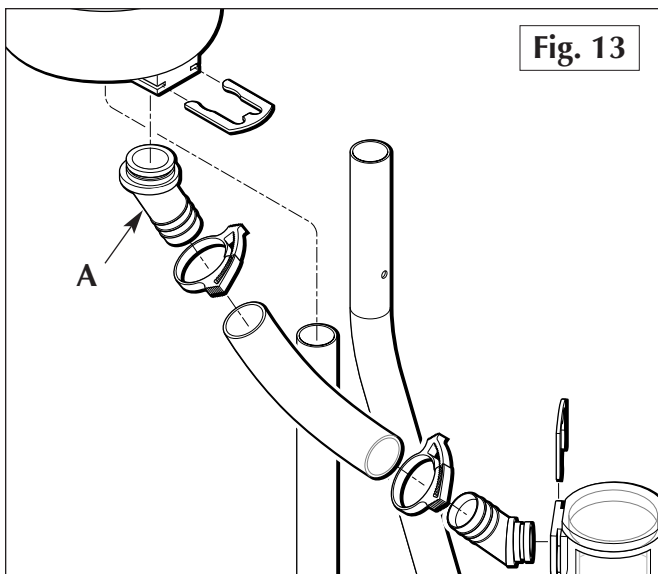
die, then secure the two Allen screws firmly. **Fig. 10**

9. Locate the parts bag for your machine. Enclosed is a powder bar return rod (#17350) **Fig. 11**. The powder bar return rod (#17350) must be inserted into the bellcrank from its left side. On the bottom of the rod is a blue wing nut (#13799), spring and white rod bushing (#18086). Slide this end into the receiver (see

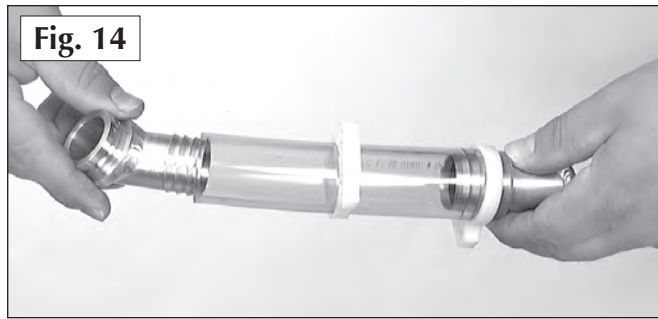
arrow **Fig. 11**) and snap the rod bushing (#18086) into the platform. Thread the blue wing nut (#13799) "up" until there's some spring tension against the platform – two to three turns. Do not fill the powder measure (#17817) at this time. This will be completed later.



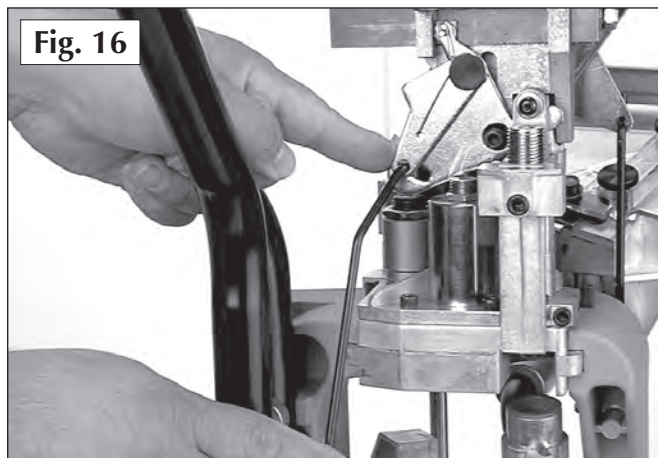
10. Next we move to station three where the wad is seated and the shot is dispensed. The Dillon shot dispenser works similar to the powder measure (#17817). The shot dispenser is activated by the hull at this station. No hull – no shot. Every complete stroke of the shot bar dispenses one charge of shot. To adjust, loosen the bolt set screw (#16740) 1/4 of a turn. Then use a 7/16" wrench to rotate the bolt located on the end of the shot bar (#16738) – counterclockwise will reduce the shot weight and clockwise will increase the shot weight. **Fig. 12**



11. To complete the assembly of the shot dispenser tube, you'll need the following items from the parts bag: shot bar return rod (#16733), clear shot feed tube, two shot dispenser fittings (#17139), two shot fitting e-clips (#17202) and two tube clamps. **Fig. 13**

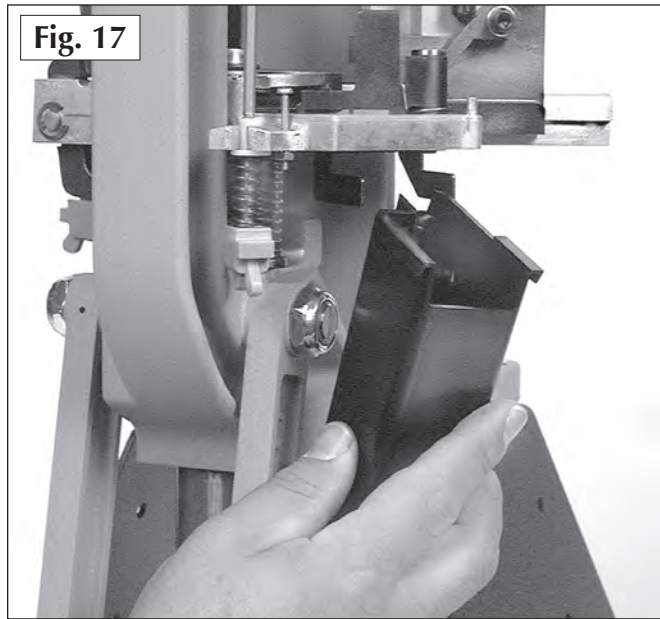


12. Assemble the shot dispenser fittings to the clear shot feed tube. **Fig. 14** Place the tube clamps loosely on the tube. Slide one end of the shot dispenser fitting into the bottom of the shot hopper (#16724 **item A Fig. 13**) and lock it in using one of the shot fitting e-clips. Now, align the complete assembly and install the other shot dispenser fitting and e-clip into the dispenser top (#17142) and tighten the clamps. **Fig. 15**

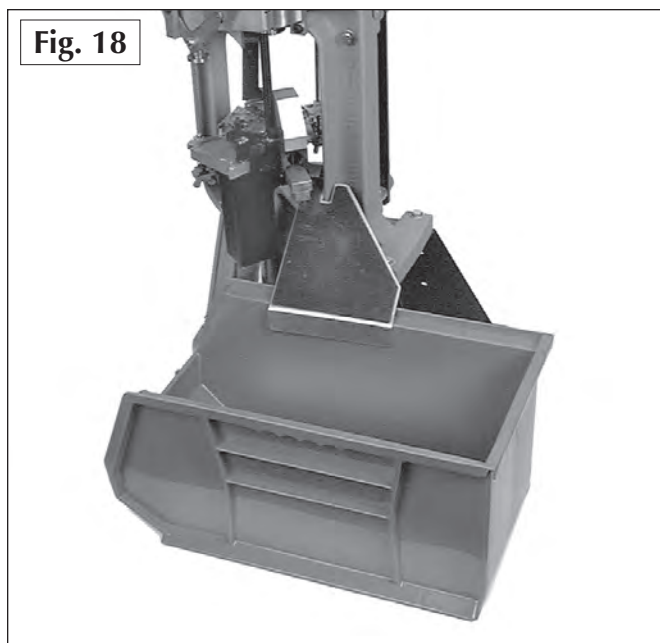


13. When installing the shot bar return rod (#16733), use your left hand to move the lock link down over the slot in the shot dispenser bellcrank. **Fig. 16** Now, insert the hook end of the shot bar return rod (#16733) through both parts. On the bottom of the rod is a blue wing nut (#13799), spring and white rod bushing (#18086). Slide this end into the receiver and snap the rod bushing in the platform. Thread the blue wing nut (#13799) "up" until there is some spring tension against the platform – two to

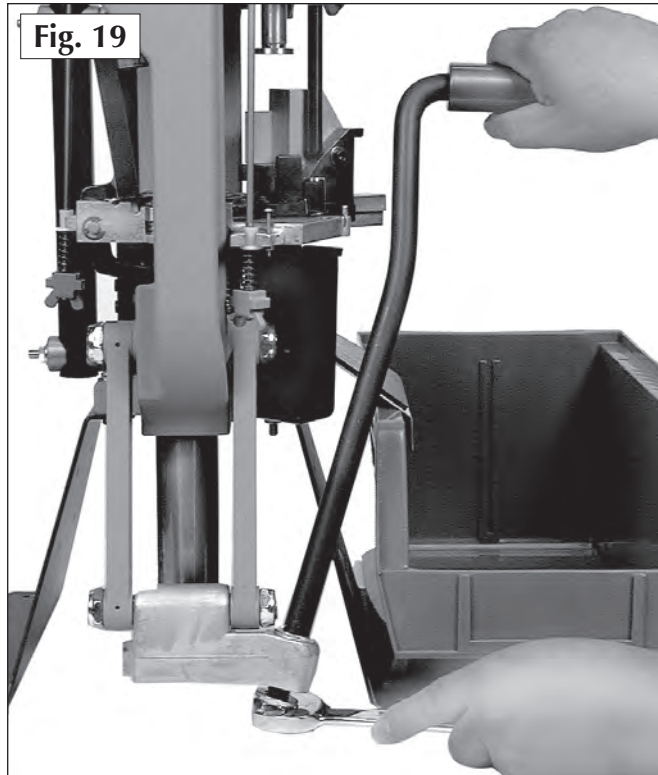
three turns. Do not fill the shot dispenser at this time.



14. Place the spent primer cup (#16699) on its spent primer cup bracket (#16209), it's located on the lower right hand side of the machine's platform – slide the cup onto the bracket rails. **Fig. 17**



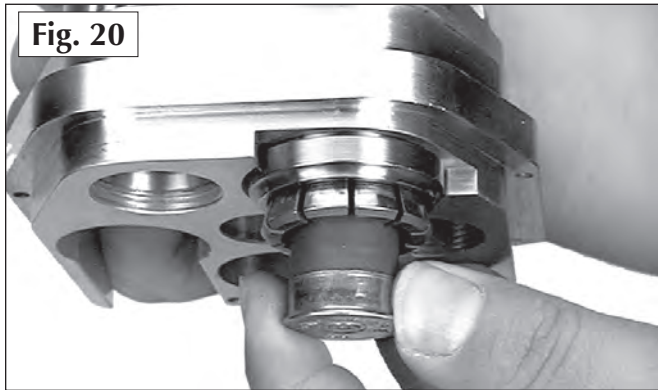
15. Position the Dillon bin (#17125) on the machine's right side, then place the shotshell chute (#16672) between the machine and the Dillon bin (#17125). **Fig. 18**



16. Finally, install the roller handle (#22183). **Fig. 19**

## Factory Settings

The SL 900 shotshell machine has been assembled and tested using Winchester AA hulls. A sample is included with the machine.



Station One – The collet sizer is adjusted for resizing the brass base. **Fig. 20**

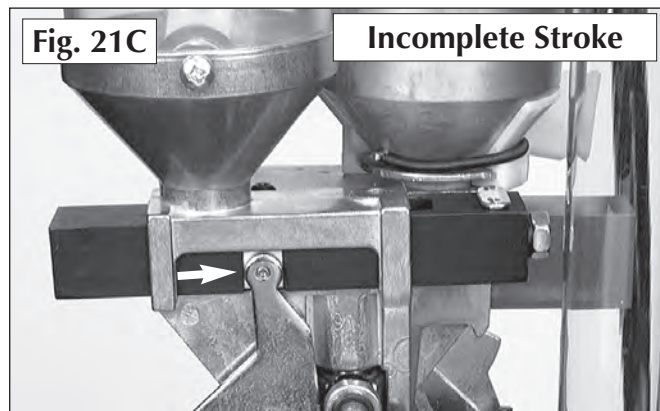
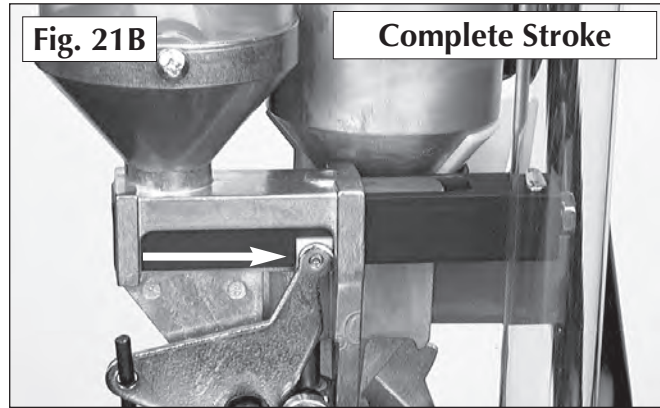
Station Two – Inside the powder die (#16744) you'll find the powder funnel **Fig 21**. This part



uniforms the top of the shotshell hull and dispenses one charge of powder into the hull. The powder bar will need to be adjusted to the desired powder weight. Its important to use a quality powder scale to do this. **Fig 21A**



The powder die has been adjusted to a height so that the powder measure bellcrank can make full strokes when activated. **Fig 21B**. Turning the powder die (#16744) counterclockwise will raise the powder system, reducing the amount of stroke the bellcrank has. **Fig 21C**.

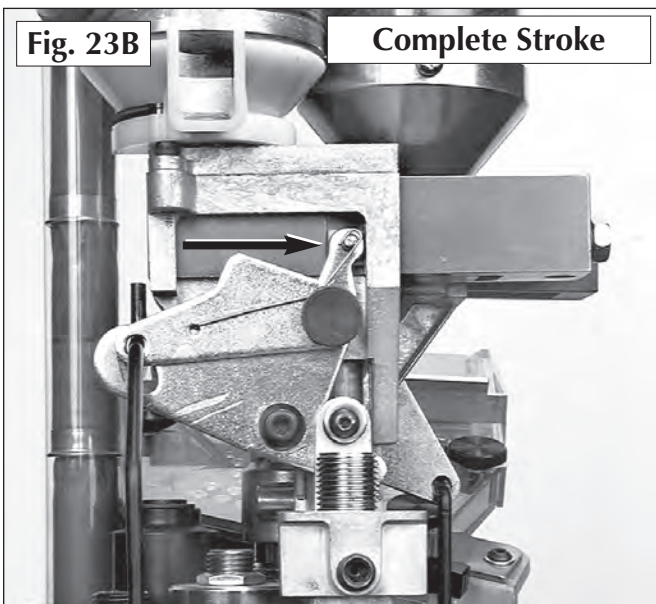
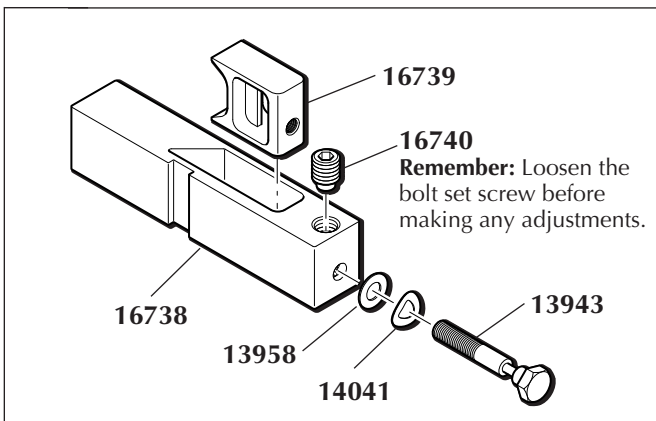
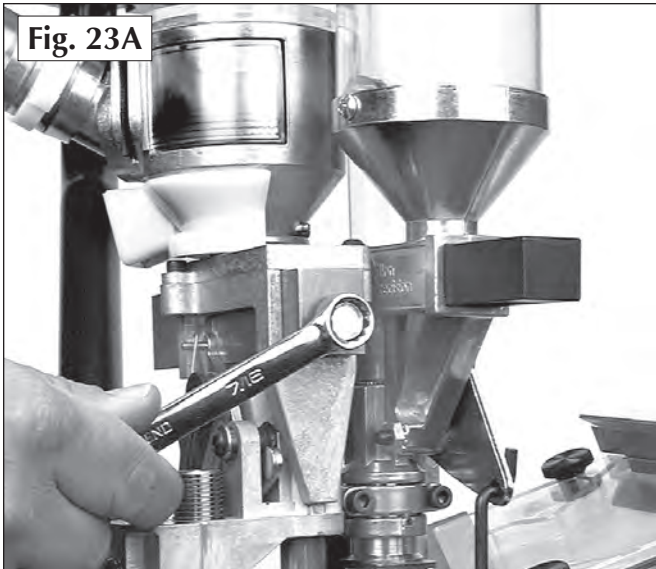


Station Three – Two operations occur here involving wad and shot insertion.

In the wad swing arm (#16677) we've installed a caliber specific wad guide (#16681). **Fig. 22**

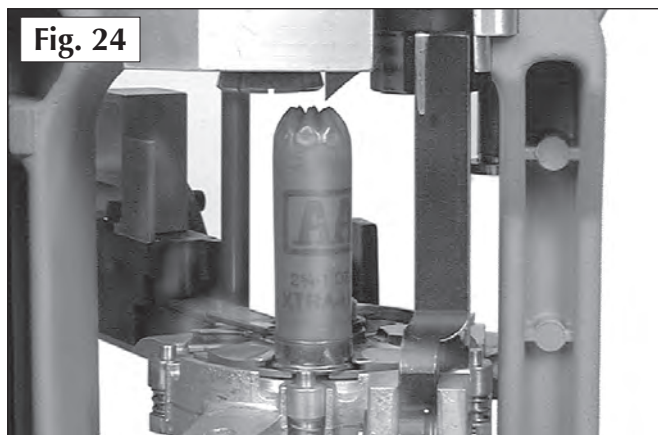
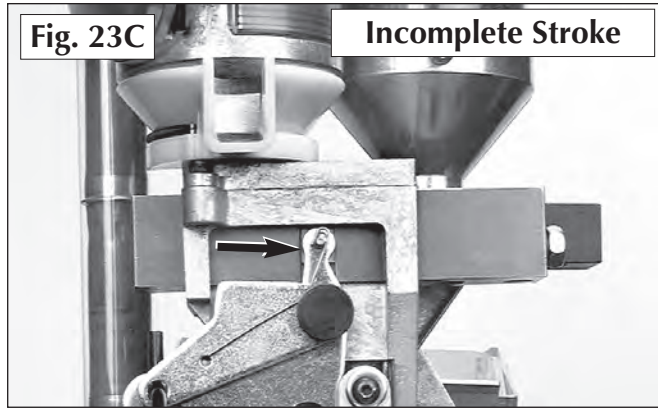


The shot bar has a preliminary setting for 1 1/8 oz shot weight. The shot bar will need to be adjusted to your desired weight. **Fig 23A**



The body collar adjustment screw (#10641) has been adjusted to seat the 1 1/8 oz (WAA-12) plastic wad into the hull. The shot dispenser bellcrank makes a complete stroke and dispenses one charge of shot while the wad is being seated into the hull. **Fig. 23B**

Turning the body collar adjustment screw (#10641) clockwise (too high) will raise the shot dispenser, reducing the amount the wad is seated into



the hull and may result in an incomplete stroke of the bellcrank. **Fig. 23C**

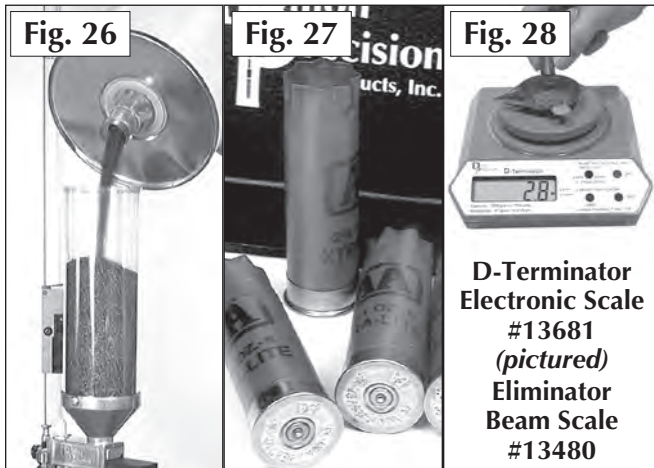
Station Four – The starter crimp die (#10640) forms and folds the loaded shotshell hull. This die is set for Winchester AA hulls so we achieve 60% closure of the top. **Fig. 24**

Station Five – Here we'll finish crimp and seat. A final seat plug presses the hull back down and below the top by approximately 1/16 of an inch. The taper crimp feature within the die radiuses and blends the end of the hull and locks the crimp on the hull. It too is adjusted for Winchester AA hulls. **Fig. 25**

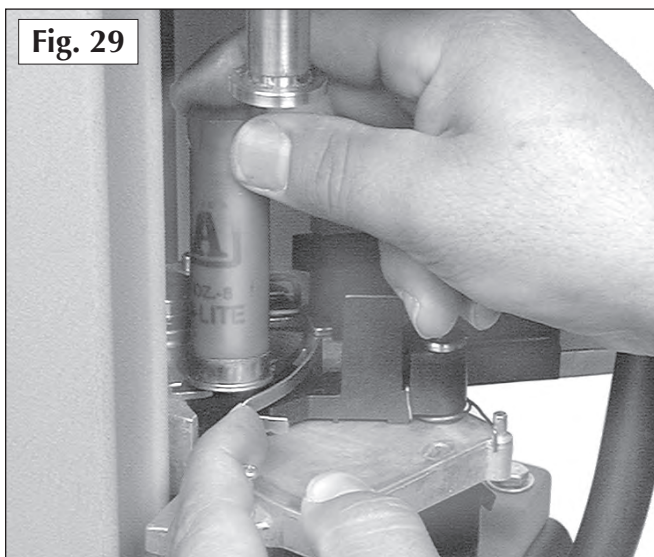
## Filling the Machine with Components. What's First?

Before you charge ahead and begin tossing components into your new SL 900 shotshell machine, there is a routine we'd like you to follow.

1. Fill the powder hopper with the powder of your choice. **Fig. 26** 2. You will need a once-fired shotshell with a spent primer. **Fig. 27** 3. You will need a powder scale to weigh the powder charges. **Fig. 28**



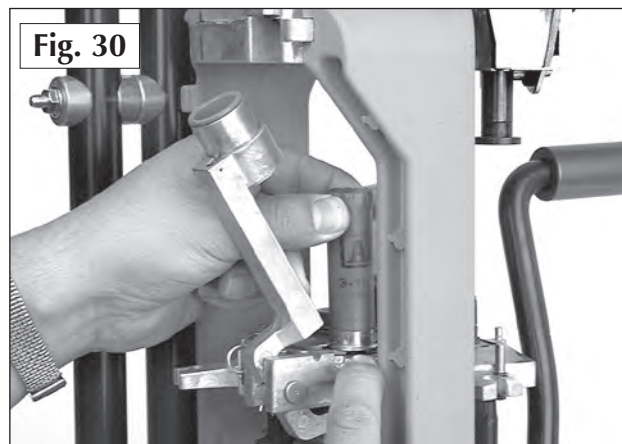
4. Place the hull in station two where the powder measure (#17817) is located. Gently move the station two locator (#16694) away from the shellplate and insert the hull. **Fig. 29**



5. Move the roller handle (#22183) down and then back to its rest position. Remove the hull from the shellplate by pressing down on the locator button (#16753) and pour the powder back into the clear powder hopper. **Fig. 30**

6. Repeat steps 4 and 5 a minimum of four times so you are receiving a uniform powder charge.

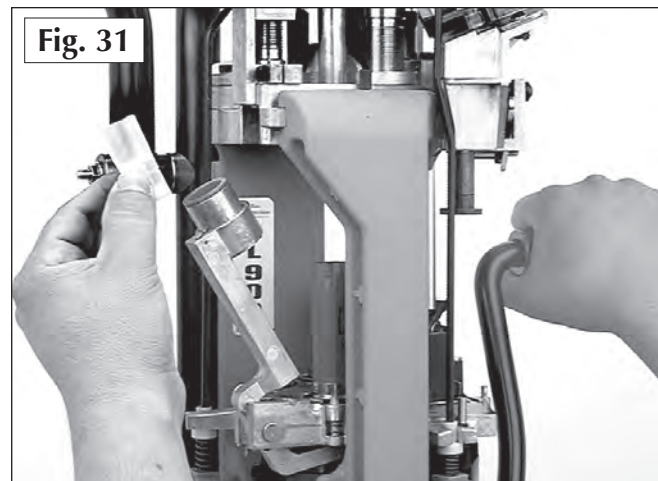
7. Weigh the fifth powder charge. Using a 7/16" wrench, rotate the bolt located on the end of the powder bar. Counterclockwise will reduce the powder charge weight. Clockwise will increase the



powder charge weight. Adjust as needed.

8. Again, repeat steps 4 and 5 until you're happy with the powder charge.

Now that you have determined the powder charge, let's go on to station three for wad and shot insertion. Let's use the same hull, with powder, in station three.



1. Get a supply of wads.

2. Move the roller handle (#22183) to its full aft stop position, away from you. Doing so will cause the wad swing arm (#16677) to pivot out so you can

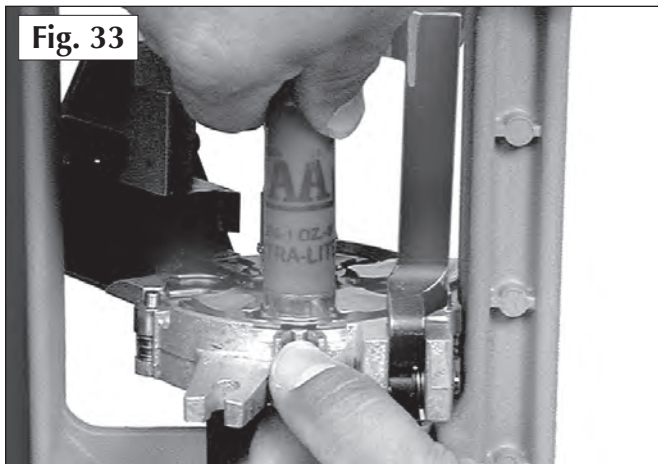




insert the wad. **Fig. 31** Let the roller handle (#22183) return to its rest position.

3. Remove the clear hopper lid (#17138) and add a small amount of shot to the shot dispenser. **Fig. 32**

4. Move the roller handle (#22183) down and then back up to its rest position. Remove the hull from the machine by pressing down on the locator button (#16753) and pour the shot back into the shot dispenser. **Fig. 33**

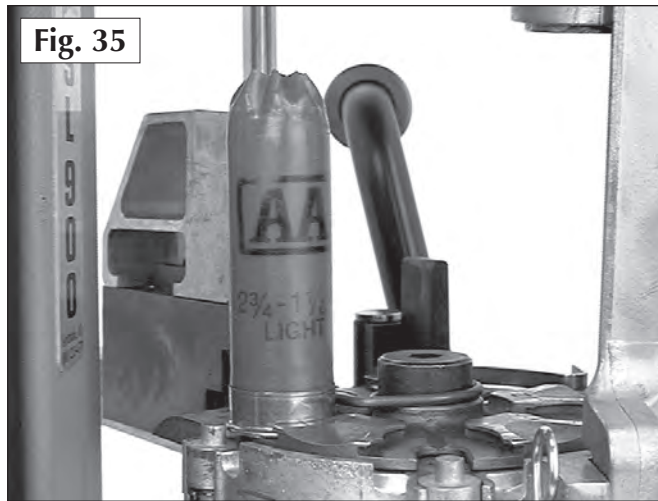


5. Place the hull back into station three and again move the roller handle (#22183) down and then back to its rest position. Remove the hull and weigh the shot charge. **Fig. 34**



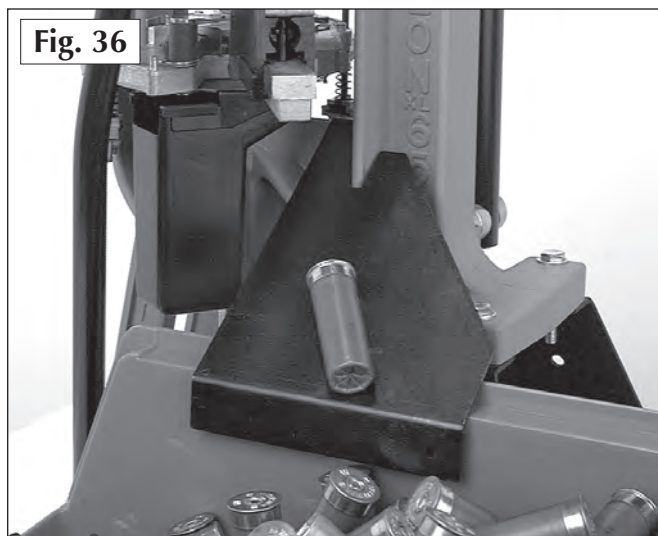
6. Loosen the bolt set screw (#16740) 1/4 of a turn. Then using a 7/16" wrench, rotate the bolt located on the end of the shot bar (#16738). Counter-clockwise turns will reduce the shot charge weight. Clockwise turns will increase the shot charge weight. Adjust as needed. **NOTE:** Its always easier to make adjustments when the bar is empty and in the forward drop position.

7. Again, repeat steps 4 and 5 until you're happy with the shot charge. Remember to place the clear hopper lid (#17138) back onto the shot dispenser & tighten the bolt set screw (#16740).



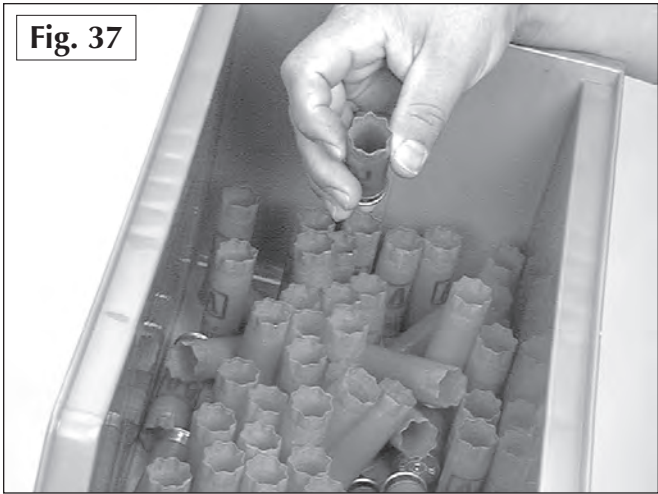
Now that you have determined the shot charge, let's move on to station four and five where the starter crimp die (#10640) and final seat/crimp functions are performed. Let's use the same hull (with shot).

1. Place the hull (with shot) into station four.  
2. Move the roller handle (#22183) down and then back to its rest position. The formed and folded hull has just completed station four and has advanced to station five. **Fig. 35**



3. Once again, move the roller handle (#22183) down. As you return to the rest position, you'll see the completed round advance and move out of the machine. The completed round will fall down the shotshell chute (#16672) and land in the Dillon bin (#17125). **Fig. 36**

Review the dummy round you've just made. Let's go ahead and make one more dummy round. Please note, when making these dummy rounds, we start at station two and then go through all the remaining stations on the machine. This is the introductory process. Next we'll be adding empty, fired hulls and new primers.



**Fig. 37**

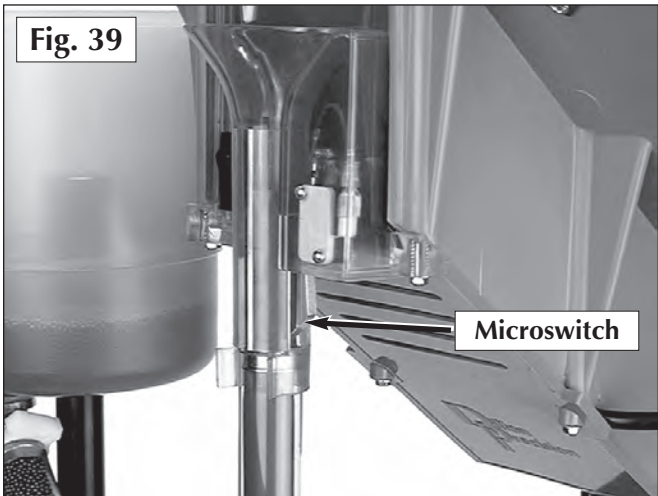
1. Using a Dillon bin (#17125) or box, gather up to 80 empty, fired hulls. **Fig. 37**



**Fig. 38**

2. Always examine the hulls for rocks, dirt, mud or other cases that may get stuck inside. Also look for hulls that may appear stepped on or flattened. Go ahead and squeeze them round again so they won't get stuck in the casefeeder (#20536). **Fig. 38**

3. Pour the hulls into the casefeeder and turn the unit on.



**Fig. 39**

4. The casefeeder will run until the casefeed tube (#20536) has filled, then shuts off automatically when a hull trips the microswitch. **Fig. 39** Insure that the

casefeed tube is fully seated into its clamp.

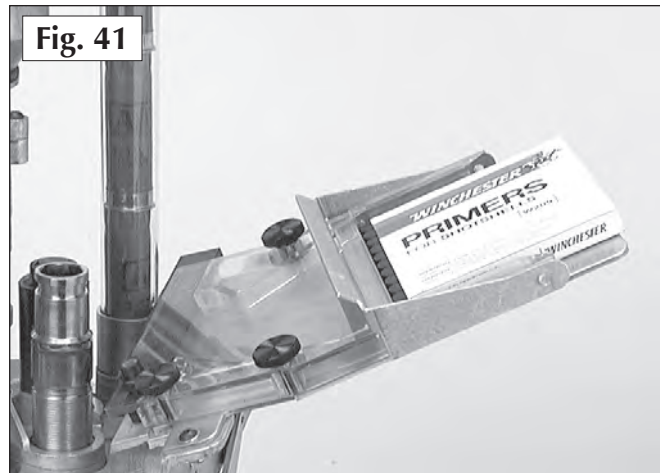
5. Get one box of new shotshell primers.



**Fig. 40**

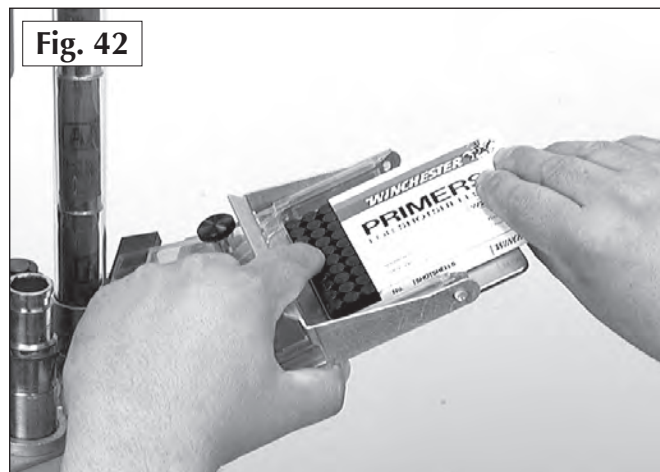
6. Slide the cardboard jacket back, exposing only half of the first row of primers. **Fig. 40**

7. Turn the box of primers over.



**Fig. 41**

8. Place the leading edge of the primer tray into the machine's primer feedplate (#16711). **Fig. 41**



**Fig. 42**

9. Slide the cardboard jacket off. Helpful hint – as you slide the cardboard jacket off, place your left-hand index finger on the primer tray and press down as you slide the jacket off. **Fig. 42**



10. Lift the plastic primer tray straight off the primers. Do not rotate. Check that no primers have turned on their side. If so, straighten. **Fig. 43**



11. Raise the primer gate and the group of primers will slide down to the primer slide upper (#16713). **Fig. 44**

Note that every complete stroke of the roller handle (#22183) will feed one primer into the machine while at the same time completing the other processes within the machine.

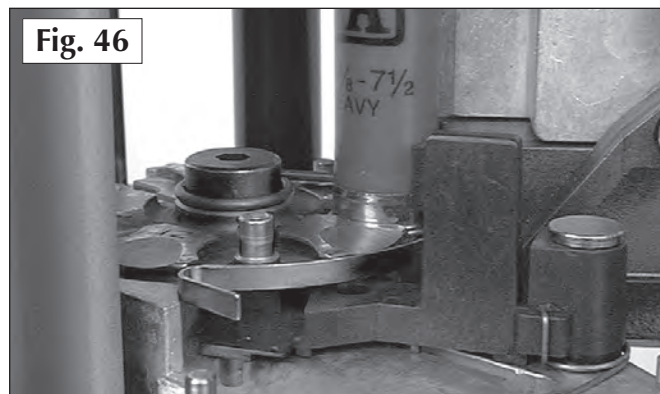
### Lets Begin Making a Few Rounds

If you're like me, you have already figured out that when you cycle the roller handle (#22183), hulls feed into the shellplate and primers also feed into the machine. Let's begin making a few rounds and I'll explain the loading process, using the first hull as our guide.



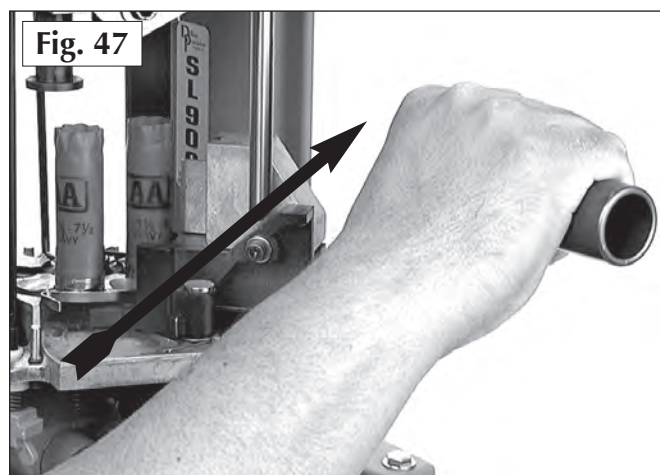
1. With all the stations empty, move the roller

handle (#22183) down and then back up to its full aft position. A hull has been fed into the shellplate. **Fig. 45**

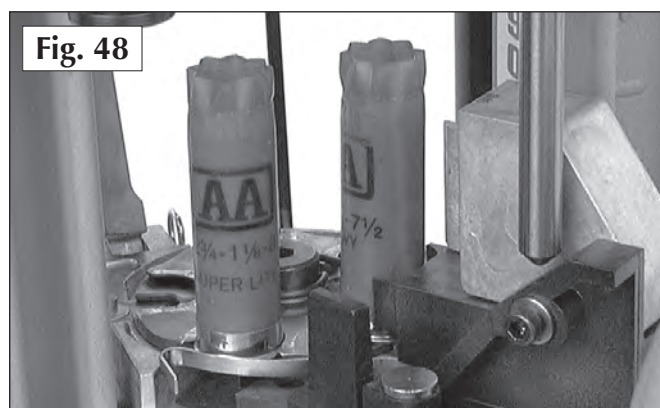


2. Push the roller handle (#22183) aft, away from you. Doing so inserts the hull fully into the shellplate and the first primer appears at station two. Remove this primer and set it aside. **Fig. 46**

3. Move the roller handle (#22183) down. The first hull is being resized and the old primer has been removed from the hull.



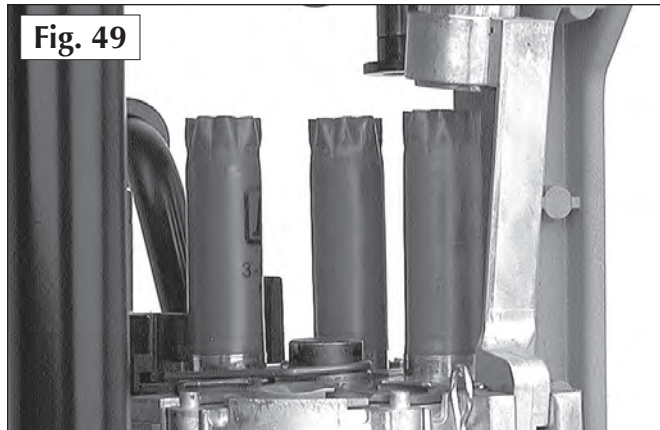
4. Return the roller handle (#22183) to its rest position. The first hull advances to station two and another hull has been fed to the shellplate. **Fig. 47**



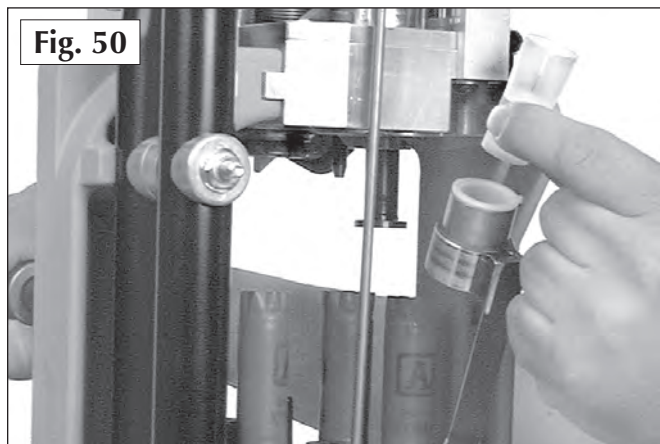
5. Push the roller handle (#22183) aft, away from you. Doing so seats the new primer into the first hull at station two, and another hull is fully seated into the

shellplate at station one. To ensure that you have fully seated the primer into the hull, it is important to stroke the operating handle to its **full** aft position. With experience, you will acquire the “feel” of the primer being seated fully. **Fig. 48**

6. Move the roller handle (#22183) down. The first hull is getting a charge of powder at station two.



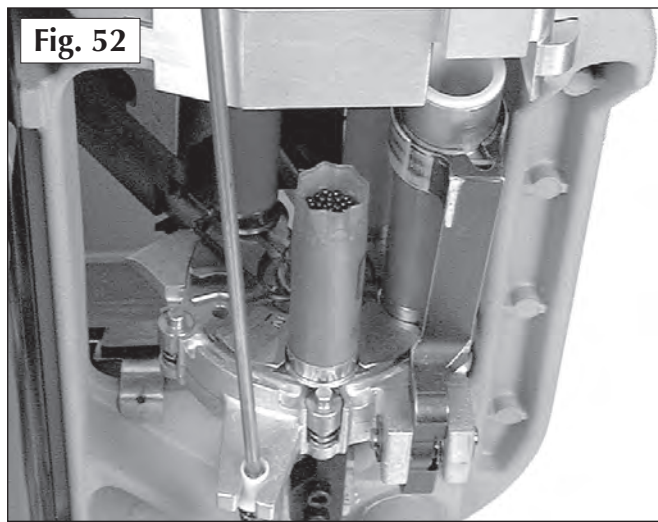
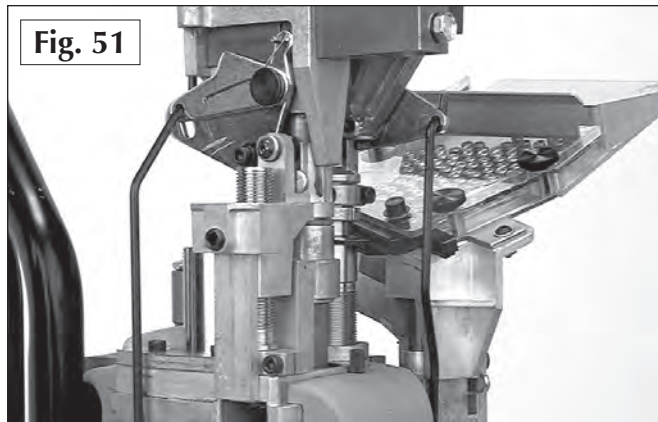
7. Return the roller handle (#22183) to its rest position. The first hull advances to station three, another fired hull is fed to the shellplate and the hull at station two is ready to receive a new primer. **Fig. 49**



8. Push the roller handle (#22183) to its full aft stop and hold as (using your left hand) you pick up a plastic wad and place it into the wad guide (#16681). This same aft stroke seated the new primer into the hull at station two and the hull at station one is fully seated into the shellplate. Release the roller handle (#22183). **Fig. 50**

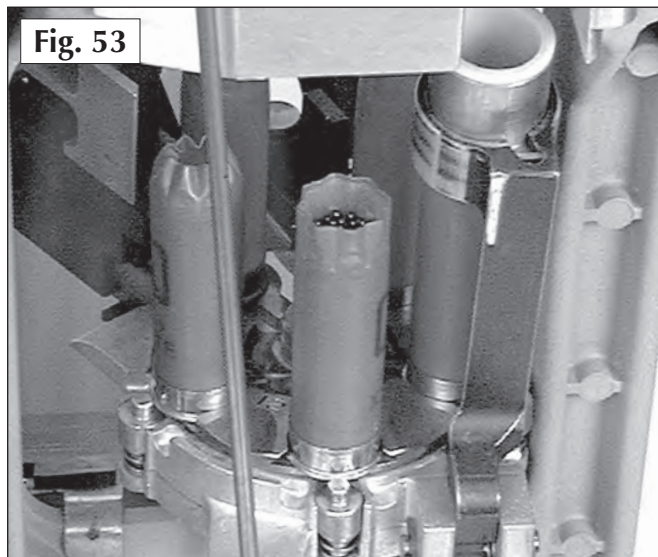
9. Move the roller handle (#22183) down. The first hull is at station three, where a new plastic wad is seated. It then receives a charge of shot. Again, the hulls in station one and station two are being processed as well. **Fig. 51**

10. Raise the roller handle (#22183) to its full aft stop. The first hull advances to station four and the other hulls advance as well. **Fig. 52** If you encounter resistance, STOP! Do not force the handle. There may be something blocking the primer transfer arm. See



the troubleshooting section for instructions on how to proceed.

11. Push the roller handle (#22183) aft to seat the primer into the hull at station two and place a new plastic wad in the wad guide (#16681).



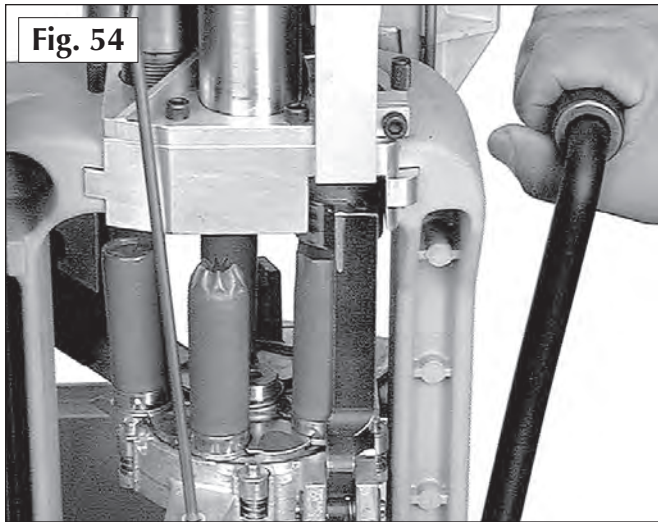
*Special note: An important step in the loading process – remember when pushing the roller handle (#22183) aft to seat the new shotshell primer, you must also place a new plastic wad into the wad guide (#16681) at the same time. See **Fig. 50***

12. Move the roller handle (#22183) down. The

first hull is being formed and folded with the starter crimp die (#10640) at station four.

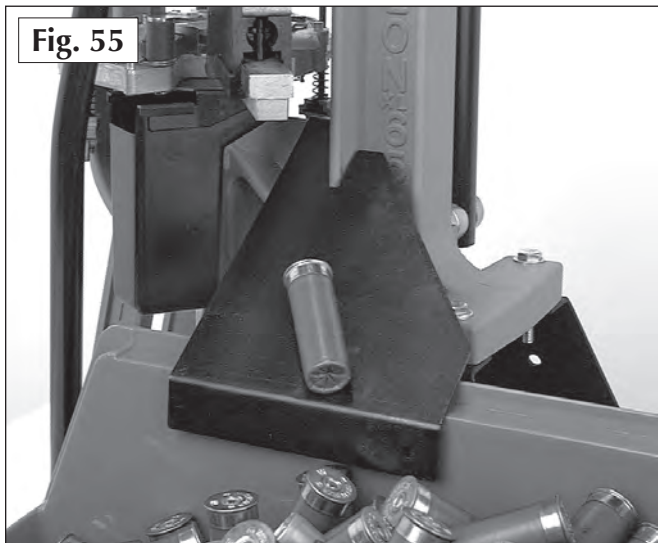
13. Return the roller handle (#22183) to its full aft position. All the hulls advance one station. The first hull is now in station five. **Fig. 53**

14. Push the roller handle (#22183) to its full aft stop, seat the primer into the hull at station two and place a new plastic wad in the wad guide (#16681).



15. Move the roller handle (#22183) down. The first hull is at the last process. The final crimp and seating die finishes closing the top. A final seat plug presses the hull back down and below the top. **Fig. 54**

16. Return the roller handle (#22183) to its rest position. The first hull advances and moves out of the machine. **Fig. 55**



17. Again, push the roller handle (#22183) to its full aft stop, seat the primer into the hull at station two and place a new wad in the wad guide (#16681).

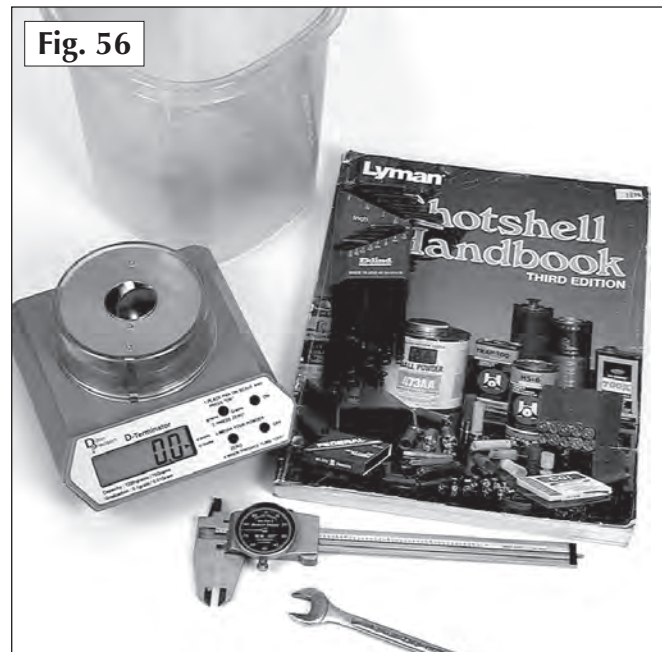
We've now reached the stage in the reloading process where all the stations in the machine are filled. From here on out every complete stroke of the roller handle (#22183) will give you one completed round.

### WHEN OPERATING THE ROLLER HANDLE:

Pay close attention to the hulls, noting the changes that take place as they go through the machine. Pace yourself when operating this machine. Do not crash the roller handle (#22183) down against its stops. Do not snatch the roller handle (#22183) upward. It should take two or more seconds to move the roller handle (#22183) from its rest position, down, and then back to its rest position.

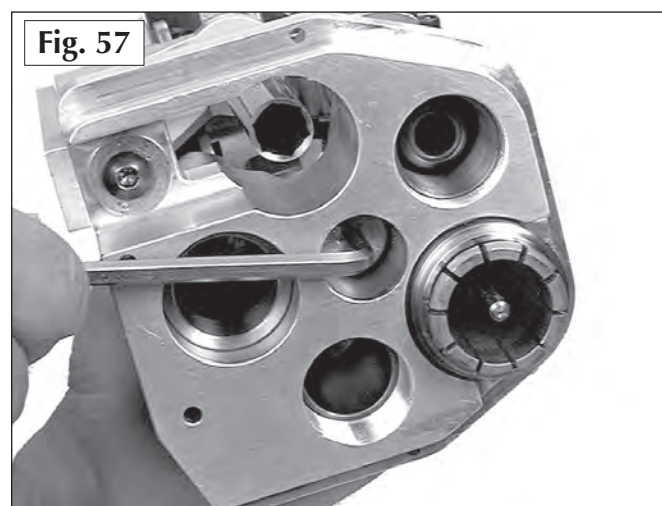
### Changes and Adjustments

Whenever you plan to make some changes or adjustments to your SL 900 machine, it's important to have all the right tools. **Fig. 56**

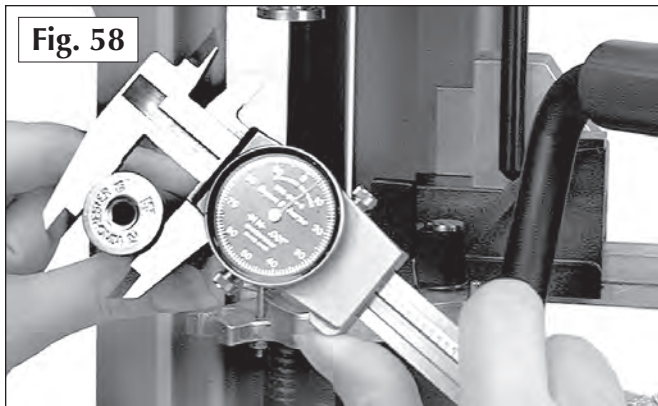


- 1 - Dial Caliper
- 2 - Scale
- 3 - One complete set of Allen wrenches
- 4 - 7/16" box/open end wrench
- 5 - Loading Manual
- 6 - Empty plastic container or coffee can

### 1. Adjusting the 12 Ga. Collet Sizer Die – Two tools

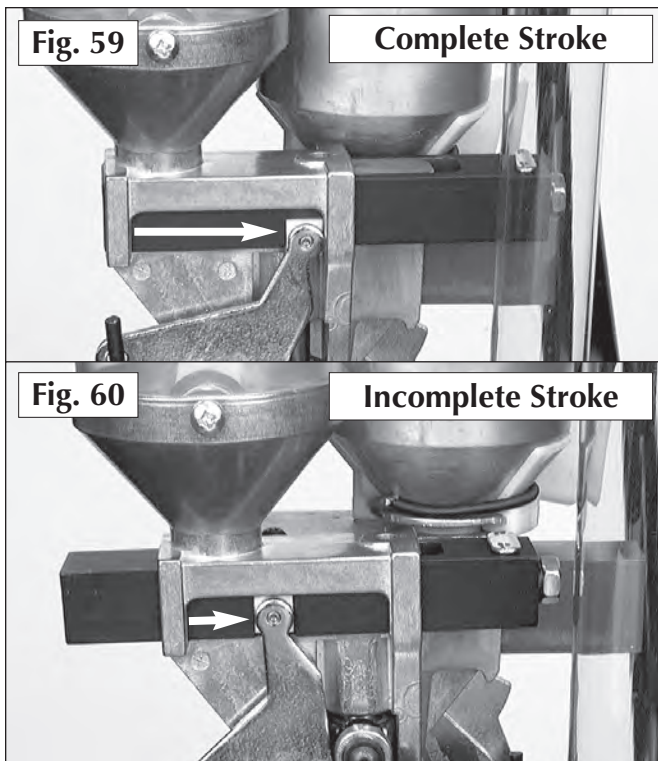


are needed when adjusting the 12 Ga. collet sizer die (#16743). A 3/16" Allen wrench and a dial caliper. Loosen the die lock bolt (#17351) located in the bottom of the toolhead (#16667). **Fig. 57**



Using a fired hull, measure the diameter of the brass base. Place the hull into the machine's shellplate at station one and resize the hull. Remove the hull from the machine and again measure the diameter. The brass base should be .804 diameter. **Fig. 58** See page 17 for shotshell dimensions.

To make the brass base smaller, turn the die clockwise using one-quarter turn increments. Using another fired hull to test the new setting, resize the hull in the machine. Again, measure the diameter of the brass base. When you're finished, tighten the die lock bolt (#17351)



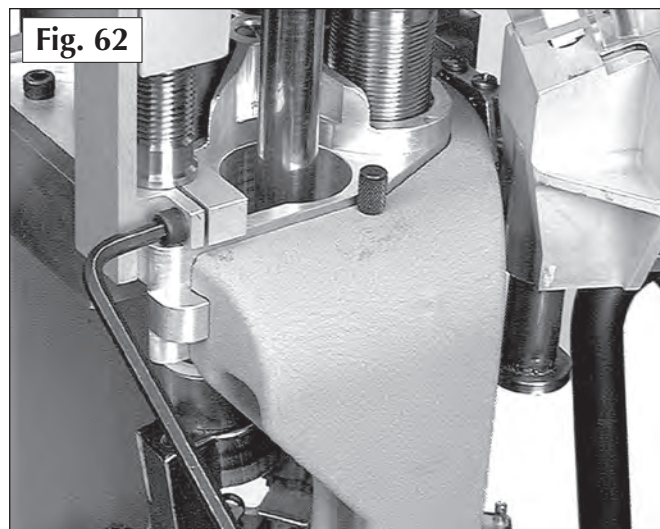
**2. Powder Die/Funnel Adjustments** – When a powder charge is dropped into a hull, it is very important that the bell crank also makes a complete stroke simultaneously. **Fig. 59** Turning the powder die

(#16744) clockwise lowers the powder system and increases the stroke of the bellcrank. Be careful not to go down too far or you may crush a hull. Turning the powder die (#16744) counterclockwise will raise the powder system, reducing the amount of stroke the bellcrank has. **Fig. 60**



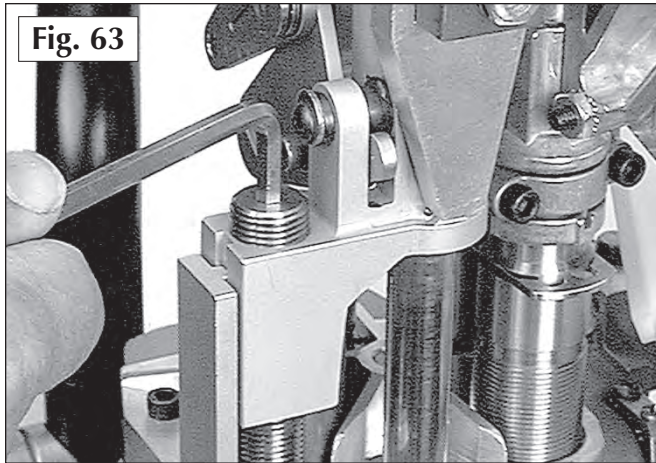
**3. Adjusting the Automatic Powder System Powder Charge Weight** – Place a hull at station two and cycle the handle. Weigh the powder charge from the hull and write that weight down. Using a 7/16" wrench, rotate the bolt located on the end of the powder bar. **Fig. 61** Counterclockwise will reduce the powder charge weight, adjust as needed. Helpful hint: operate the powder bar a minimum of four times so you are assured of a uniform powder charge, then weigh the fifth charge.

**4. Adjusting the Wad and Shot Station** – Shot charge weight adjustments: Weigh the shot charge from a hull and write that weight down. Refer to your loading manual to decide whether you need to increase or decrease the shot charge weight. Using a 7/16" wrench, rotate the bolt on the shot bar (#16738) clockwise to increase the weight or counterclockwise to reduce the weight. Adjust as needed.



**Adjusting the Plastic Wad Depth** – A sample plastic wad was included with your SL 900 machine

when it was built and adjusted at the factory. If you have selected a wad that uses a lighter or heavier load of shot, you'll need to readjust the position of the shot dispenser. Using a 5/32" Allen wrench, loosen the two screws on the collar guide/clamp (#16737). **Fig. 62** A 3/16" Allen wrench is used to rotate the body collar adjustment screw (#10641).



When reloading with **light shot load plastic wads** it may be necessary to adjust the shot dispenser position. Rotate the body collar adjustment screw (#10641) clockwise to raise the shot dispenser. Tighten all the collar screws, then test the changes. **Fig. 63**

When reloading with **heavy shot load plastic wads** it may be necessary to adjust the shot dispenser position. Rotate the body collar adjustment screw (#10641) counterclockwise to lower the shot dispenser. Tighten all the screws, then test the changes.

**5. Adjusting the starter crimp Die** – This die has been adjusted at the factory using Winchester AA hulls. If you have another brand of hull you'd like to reload, it may be necessary to readjust this die. Test run a hull through the machine to decide if any changes are needed.

What we like to see is a 60% closure of the top, formed and folded. This is important so that station five's final crimp/seat can produce a uniform folded crimp. **Fig. 64**



We found that when we reloaded Remington hulls and wads, we would need to adjust the starter crimp die (#10640) down. The heavier walled Remington hulls appear to be somewhat more resistant to being formed and folded. Turn the starter crimp die (#10640) down approximately one-half turn clockwise as needed.

Reloading with Federal hulls and wads requires a little readjusting as well. Raise the starter crimp die (#10640) approximately one-half turn counterclockwise. This will help produce a uniform folded crimp/seat.

Winchester hulls and Versatile wads loaded fine and required little or no adjustment at all. Remington hulls and Versatile wads also loaded fine. Remington hulls and Figure 8 wads require adjustment. The stiffer style Figure 8 wad needs to be compressed; do so by lowering the wad seated depth 1 to 2 full turns (as detailed under step 4 of Changes and Adjustments). Also, reducing the shot charge weight may be necessary when using this wad. Follow the above changes with a readjustment of the starter crimp die (#10640), turn the die down approximately one-half turn clockwise as needed (as detailed under step 5 of Changes and Adjustments).

**6. Adjusting the final crimp Die** – Two adjustments are available here on the final crimp die. Example, if some of the reloads you have just finished appear shallow as shown, then turn the seat plug clockwise (down), using 1/4 turn increments.

**Or**, you can turn the whole die clockwise (down) using 1/4 turn increments. You will then see the next reload with more taper on its end and the seated depth will be deeper.

Another example relating to the final crimp die adjustment when reloading different shotshells: "When I have made some reloads, some of the shotshells have buckled in the middle, but it doesn't happen all the time." You will need to raise the whole die by turning the assembly counterclockwise (up) at least 1/4 to 1/2 a turn.

**Removing the Shot from the Machine:**



When it's time to switch to another shot size, place a plastic container or coffee can next to the shot dispenser drain. Rotate the plastic shot drain with your index finger and hold it there until all the shot has emptied. Any remaining shot in the shot bar (#16738) and dispenser can be removed by running a hull through the machine. **Fig. 65**



Example: you've just finished making some rounds using #9 lead shot, the next size you'll be using is #7 1/2 lead shot. Remember to always weigh the shot charge when doing this switch. Please use a quality scale. **Fig. 66**

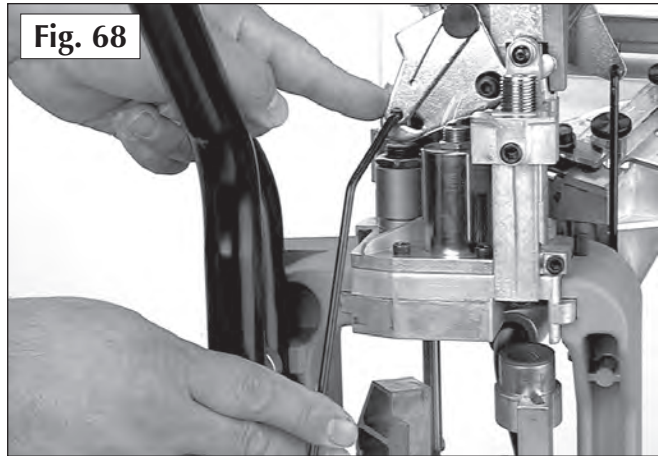
**Removing the Toolhead:**

One of the great features on a Dillon machine is the removable toolhead (#16667). The removable toolhead (#16667) allows you to convert from one hull brand to another hull brand or another caliber in a matter of minutes. Let's use the following steps to remove and install a toolhead (#16667) on the SL 900 machine.

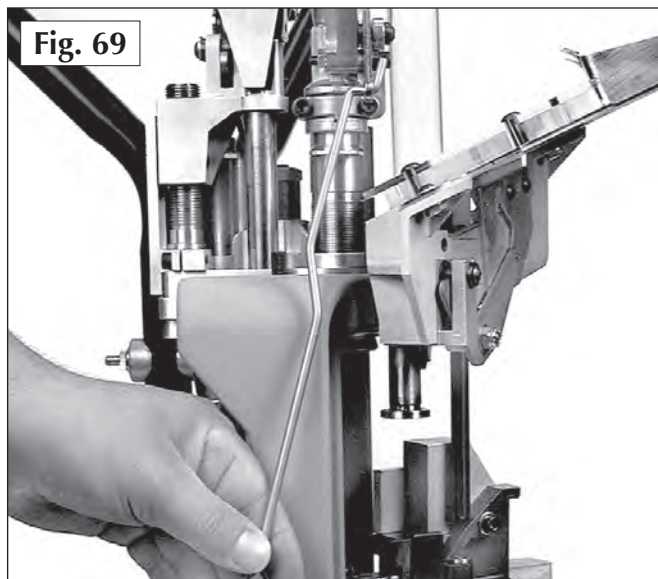
1. Empty all the shot from the shot hopper (#16724) and clear tube via the shot drain.



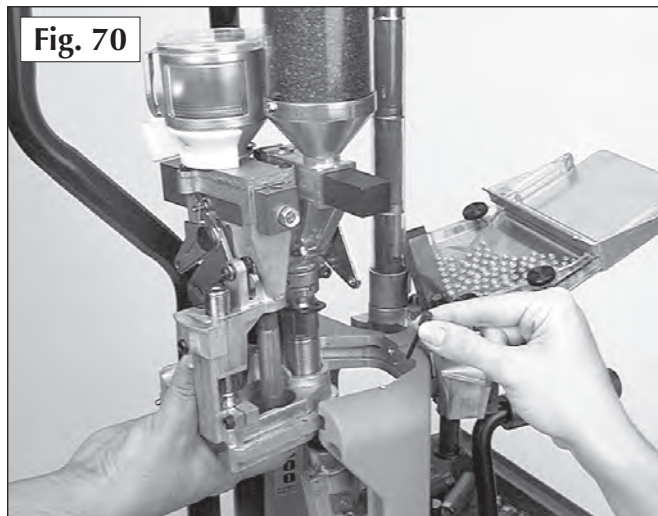
2. Remove the shot fitting e-clip and the shot fitting from the shot dispenser top (#17142). **Fig. 67**  
 3. Remove the shot bar return rod (#16733).



**Fig. 68**  
 4. Remove the powder bar return rod (#17350). **Fig. 69**



5. Remove the two toolhead pins (#14008) located on the front and rear of the toolhead and frame. **Fig. 70**



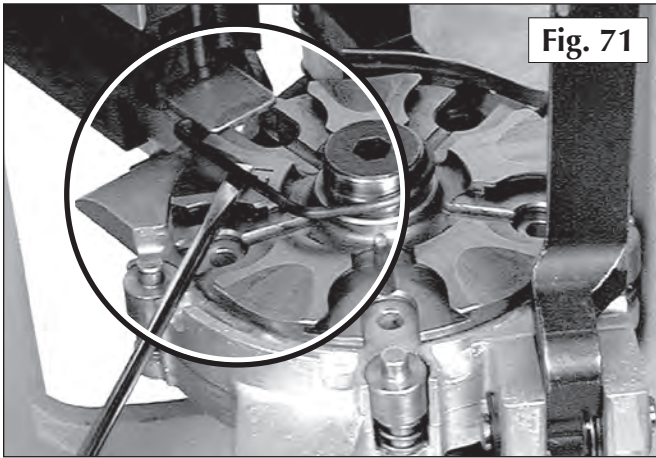
6. Slide the toolhead assembly out of the machine and set it aside.



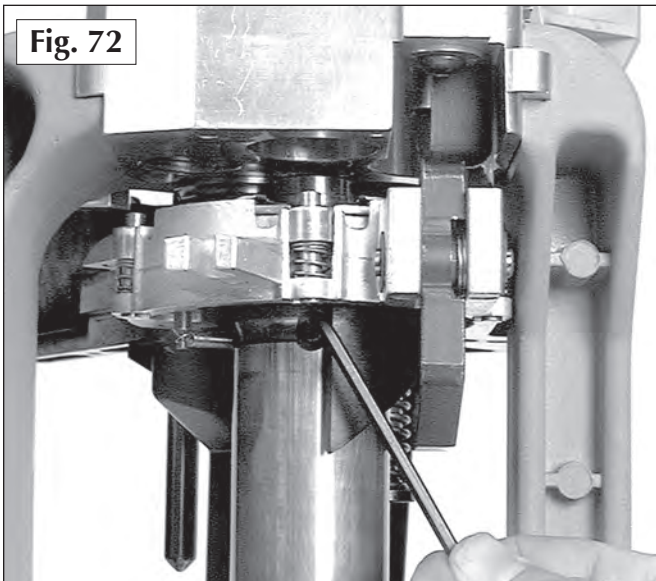
7. Pick up your other toolhead (#16667) and slide it onto the frame.
  8. Insert the two toolhead pins (#14008) into the holes located on the front and rear of the frame.
  9. Install the powder bar return rod (#17350).
  10. Install the shot bar return rod (#16733).
  11. Attach the shot fitting to the shot dispenser top (#17142).
  12. Install the shot fitting e-clip.
- You've now completed the toolhead swap – the only step that remains is refilling the components (powder and shot) and you're ready to go again.

### Shellplate Removal

When you service your SL 900 machine – cleaning, lubing, or switching to another caliber – please follow these steps to remove the shellplate.

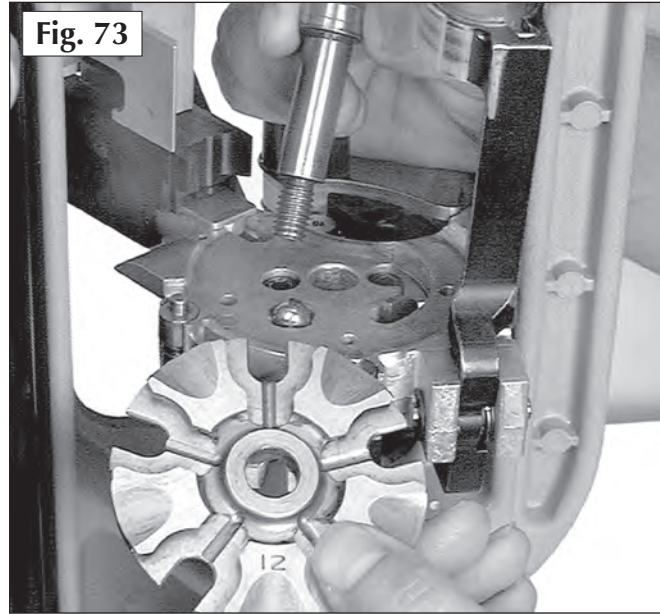


1. Remove the ejector wire (#16676). Using a small, flat blade screwdriver, hook it beneath the ejector wire (#16676) and lift upward to remove it. **Fig. 71**
2. Move the roller handle (#22183) halfway down its stroke.
3. Use a 1/8" Allen wrench to loosen the 1/4-28



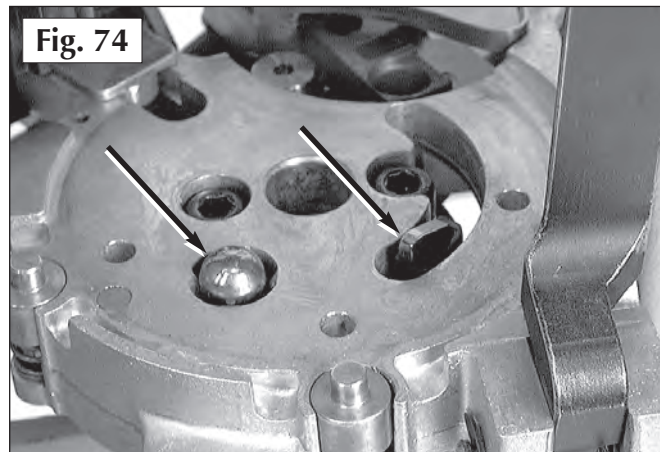
brass tip set screw (#13923) located on the left side of the machine, below the platform, in the mainshaft (#13485). **Fig. 72**

4. Return the roller handle (#22183) to its rest position.
5. Use a 1/4" Allen wrench to unscrew the shellplate bolt (#13418).

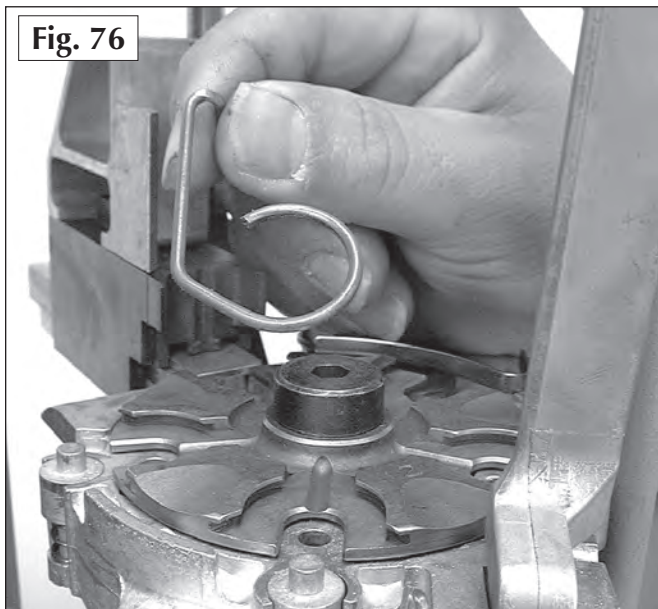
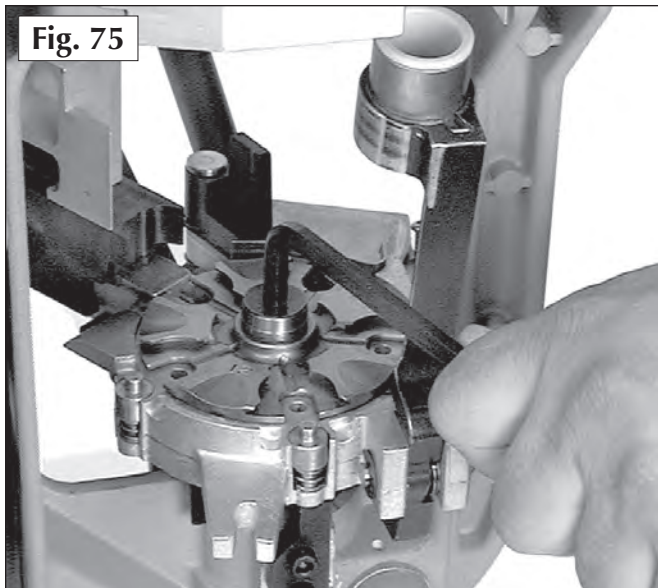


6. Remove the shellplate from the machine. **Fig. 73** *Be careful not to lose the 3/8" index ball (#13891) and index pawl (#13667) when cleaning and lubing your machine. **Fig. 74** When you install your shellplate onto the machine, remember to wipe a light amount of grease in the center hole of the shellplate.*

7. Reinstall the shellplate.
8. Insert the shellplate bolt (#13418). Thread the shellplate bolt until it stops, then loosen it no more than one-quarter of a turn. **Fig. 75**
9. Again, move the roller handle (#22183) halfway down its stroke.

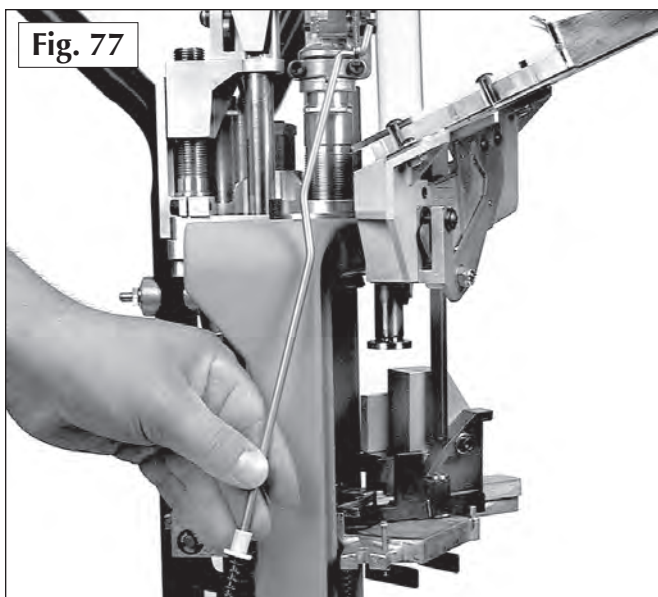


10. Secure the 1/4-28 brass tipped set screw (#13923). Refer to **Fig. 74**
11. Install the ejector wire (#16676). **Fig. 76**



### Switching to Another Powder

Example: you've been using brand X powder for



some of your ammo and it's time to change to brand Q. Let's explain how to switch powder.

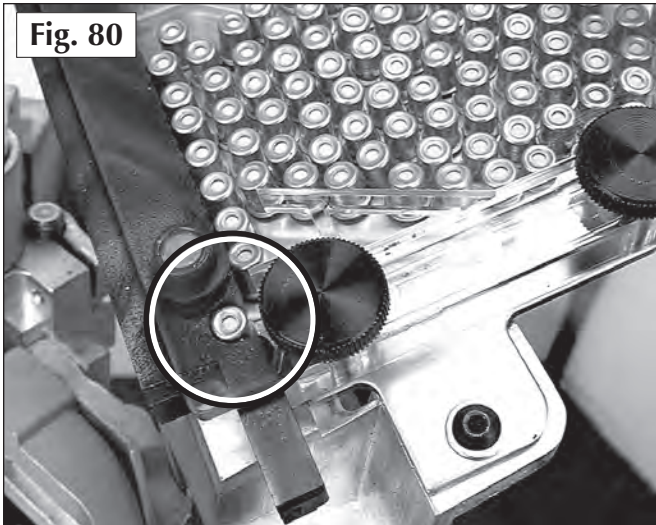
1. Remove the powder bar return rod (#17350) from the machine. **Fig. 77**
2. Using a 5/32" Allen wrench, unscrew the two 10-24 screws that hold the clamp and slide the clamp away from the powder die (#16744). **Fig. 78**



3. Remove the powder system.
4. Pour the powder out of the hopper back into its original container.
5. Turn the powder system upright and position the unit over the opening of the powder container and cycle the powder bar with your thumb. **Fig. 79**



6. Once the powder system is completely empty, reinstall the powder system and tighten the two 10-24 screws using a 5/32" Allen wrench.
7. Reattach the powder bar return rod (#17350).
8. Refill the powder hopper with the new powder.
9. Please use a quality powder scale to determine the new powder charge weight.



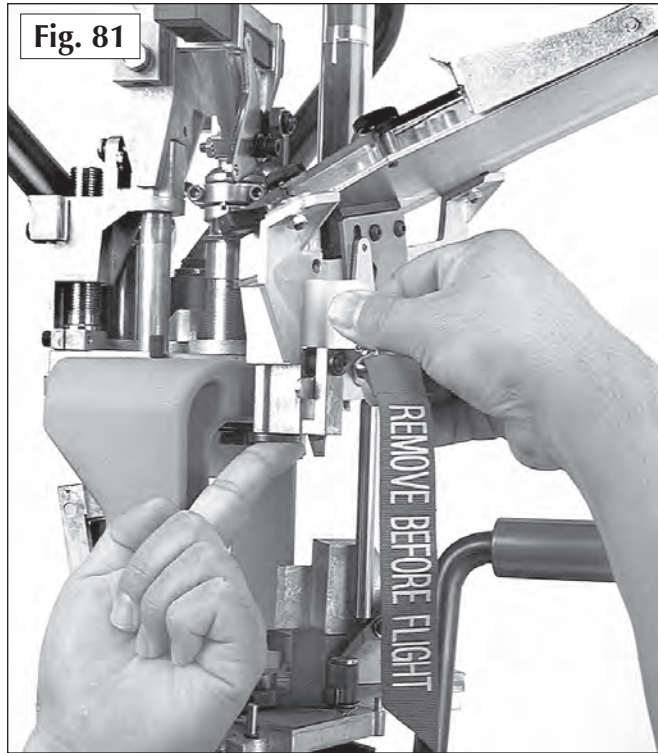
**Fig. 80**

**The Primer System:**

The primer feed system on the SL 900 machine is a fully mechanical system. Every complete stroke of the roller handle (#22183) will feed a new shotshell primer into the machine. **Fig. 80** Two very important but simple points:

#1. Always keep the machine and its primer feed system clean and free of dirt. Do not place any oils or grease on the primer feed plate. This hinders the free flowing operation of the system.

#2. Never allow excess powder or dirt to build up on the deck where the primer transfer arm (#16691) swings in and out of the machine.



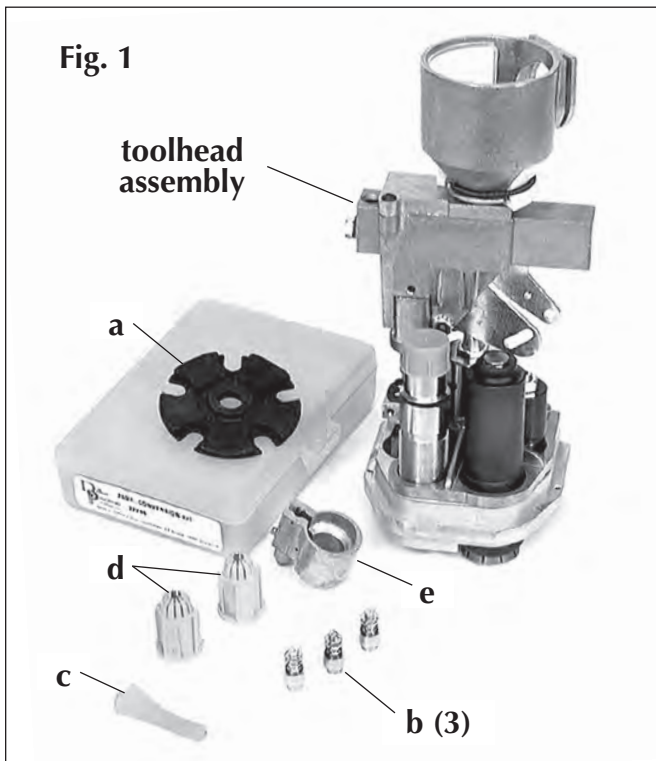
**Fig. 81**

If you decide to service your machine or don't wish to have any primers feeding, install the "stop block" into the primer system as shown. When you're ready to resume, simply remove the "stop block" and the primers will begin feeding again the next time you cycle the handle.

## 28 Gauge Conversion Instructions

A 28 gauge conversion package (#22139), includes the following items:

1.) A complete toolhead assembly with dies installed; Station 1, collet sizer & depriming pin assembly. Station 2, powder die with 28 gauge powder funnel and retaining clip. Station 3, complete shot dispenser assembly with 1/2 oz – 1.0 oz shot bar and 28 gauge shot drop tube. Station 4, starter crimp star/radius form insert. Station 5, new spring/over floating taper crimp die.

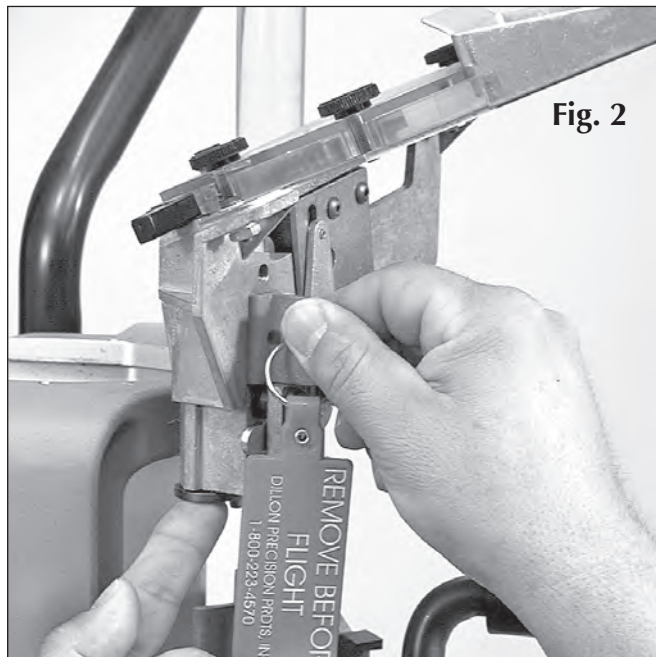


2.) A 28 gauge conversion kit box containing: (a) one 28 gauge shellplate (#10625), (b) three locator buttons (#16753) with locator rings (#10602) and springs (#17126), (c) one green station 2 locator insert (#10624), (d) two green wad guides (1 spare, #10620), (e) one 28 gauge casefeed sleeve assembly (#22129). **Fig. 1**

### Converting the Machine

The following is a step by step routine to use for converting your machine to reload other gauges. Refer to your SL 900 reloading manual as needed.

1. Drain the shot via the shot dispenser drain. Hint, use an old coffee can, widemouth water jug or shot bag to catch the shot.
2. Disconnect the return rods on both the shot and powder dispensers.
3. Remove the shot fitting e-clip on the shot dispenser and slide the fitting out of the dispenser housing.
4. Remove the two black toolhead pins and



remove the toolhead from the machine.

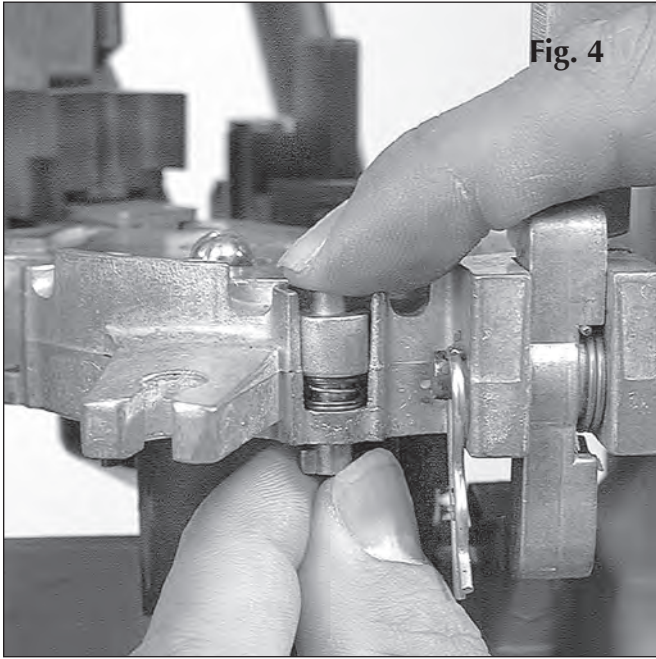
5. Install the red flag block into the primer feed assembly. **Fig. 2**

### Replacing the Shellplate and Parts in the Platform

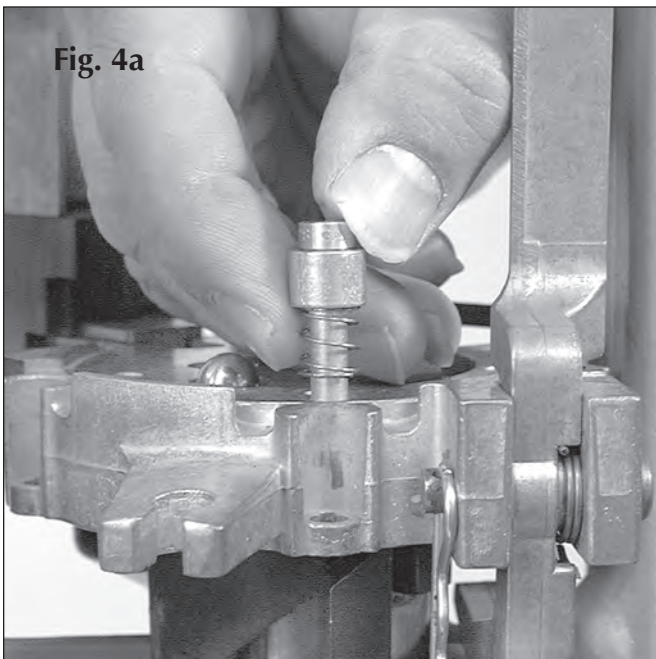
1. Remove the ejector wire (#16676).
2. Move the roller handle to the down position.
3. Use a 1/8" Allen wrench to loosen the 1/4-28 brass tip set screw 1/2 a turn. The brass tip set screw is located on the left side of the machine, below the platform, in the mainshaft.
4. While the machine is in this configuration, it is a good time to exchange the red wad guide (12 gauge) with the green wad guide (28 gauge). **Fig. 3**



5. Return the roller handle to the up position.
6. Use a 1/4" Allen wrench to unscrew the shellplate bolt.

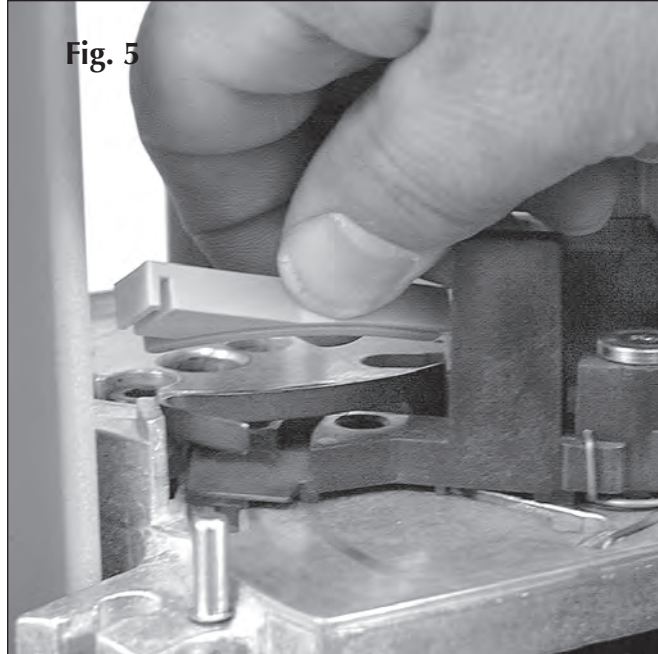


7. Remove the shellplate from the machine.
8. Change the locator buttons. First, remove the locator buttons by pressing and holding the locator button down. Reach below the platform and rotate the locator button until it snaps free. **Fig. 4** Remove all three locator buttons. Next, retrieve the new locator buttons from the 28 gauge conversion box. Place the spring on the locator button, place it in the platform,

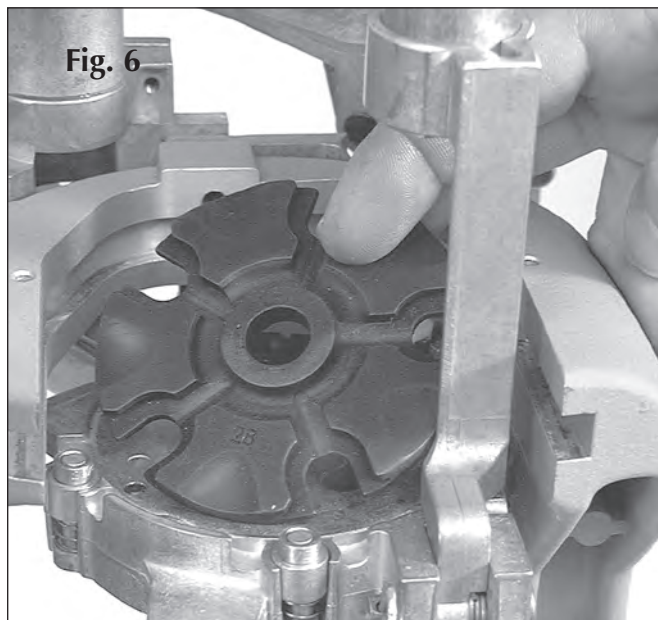


press down and rotate as needed to allow the locator button to snap into place. **Fig. 4a**

9. At Station 2, place the green locator insert (28



- gauge) onto the Station 2 locator. **Fig. 5**
10. Move the roller handle to the down position.
11. Place the 28 gauge shellplate on the platform. **Fig. 6**



12. Insert the shellplate bolt. Use a 1/4" Allen wrench to thread the shellplate bolt down until it stops, then loosen no more than 1/4 of a turn.
13. Use a 1/8" Allen wrench to secure the 1/4-28 brass tip set screw. Do not over-tighten
14. Reinstall the ejector wire (#16676). **Fig. 7**
15. Return the roller handle to the up position.

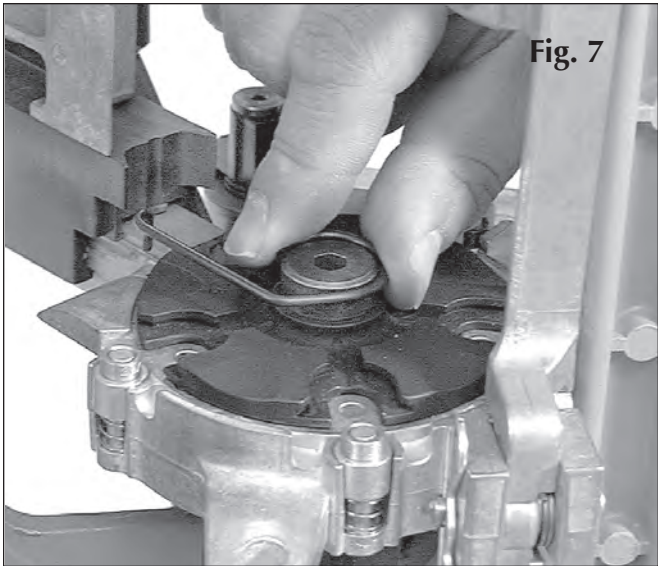


Fig. 7

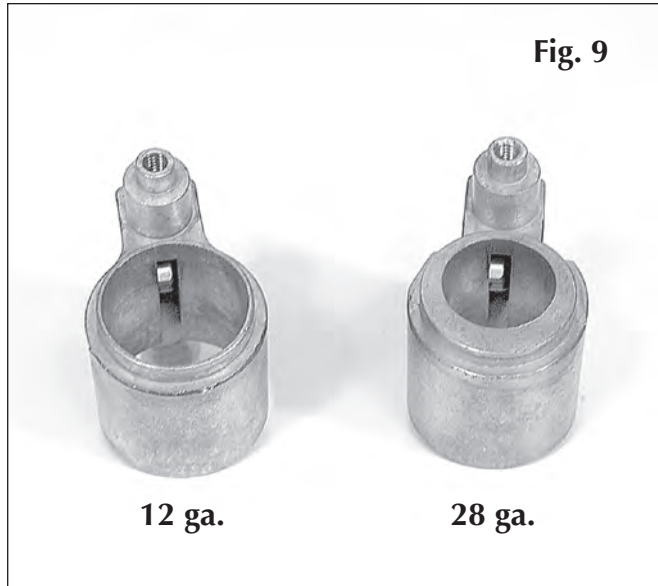


Fig. 9

**Casefeed Assembly Conversion  
(Right-Rear of the Machine)**

1. Remove the hulls and the clear casefeed tube from the machine.

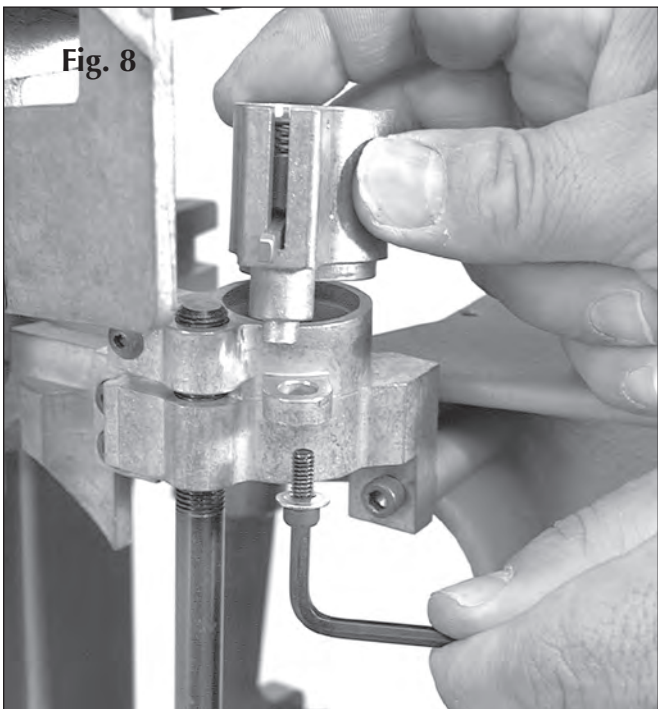


Fig. 8



Fig. 10

2. Use a 9/64" Allen wrench to remove the screw and washer on the casefeed sleeve assembly. Remove the 12 gauge casefeed sleeve off the casefeed body.

**Fig. 8**

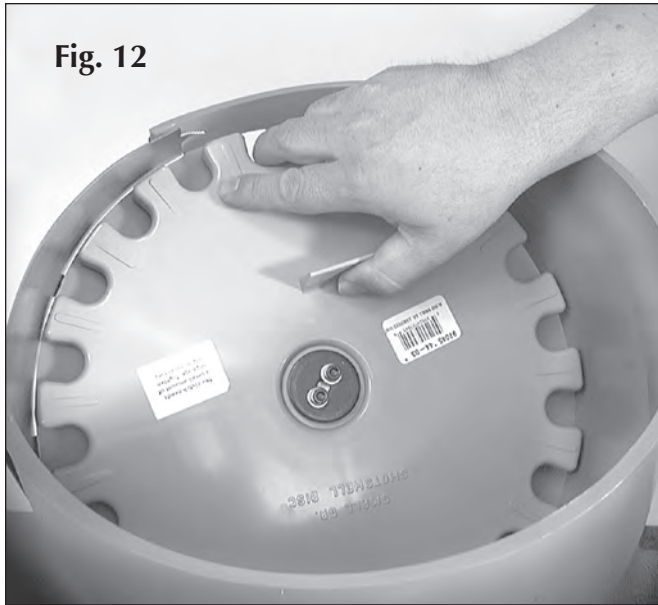
3. From the 28 gauge conversion box, retrieve the 28 gauge casefeed sleeve and place it on the casefeed body. Reinstall the screw and washer onto the casefeed sleeve assembly. Note the difference in diameter between the two pieces. **Fig. 9**

4. Remove the 12 gauge disc from the casefeed bowl. **Fig. 10**

Both 20 and 28 gauge hulls use the small gauge disc. **Fig. 11**



Fig. 11



**Fig. 12**

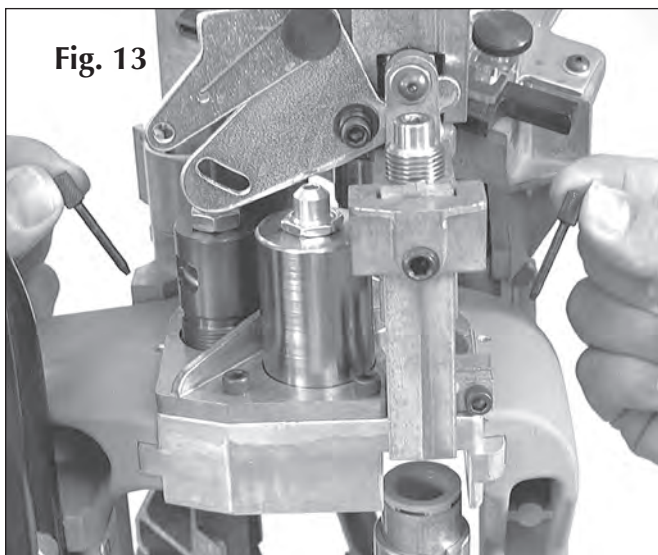
5. Install the small gauge disc into the casefeed bowl. Rotate as needed until the motor driveshaft enters the slot in the casefeed disc clutch. **Fig. 12**

6. Reinstall the clear casefeed tube.

7. Test run the assembly by placing 3-5 empty, once-fired hulls into the casefeed bowl and turn the unit on. Once all the hulls have been fed into the clear feed tube, turn the unit off.

8. Move the roller handle up and down until all the hulls have cycled through the machine.

### Toolhead Conversion and Final Assembly



**Fig. 13**

1. Slide the 28 gauge toolhead into the frame and insert the two toolhead pins. **Fig. 13**

2. Install the powder measure; loosen the two clamp screws and place the powder measure on the powder die. Press the clamp forward into the groove in the powder die and secure the two clamp screws using a 5/32" Allen wrench.

3. Install both return rods onto the shot dispenser

and the powder measure.

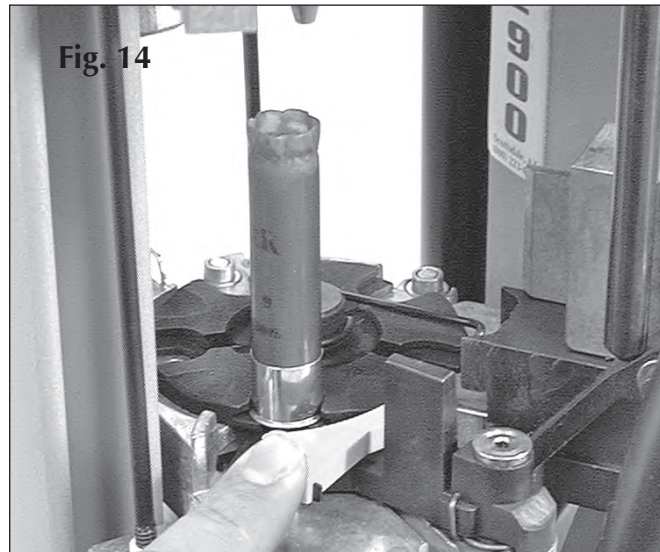
4. Realign the shot hopper tube fitting with the shot dispenser. Insert the fitting and the e-clip into the dispenser top.

5. Cycle the roller handle two complete cycles to insure everything is free to move.

6. Fill the shot dispenser with one cup of shot.

7. Remove the lid on the powder measure and fill with your powder of choice.

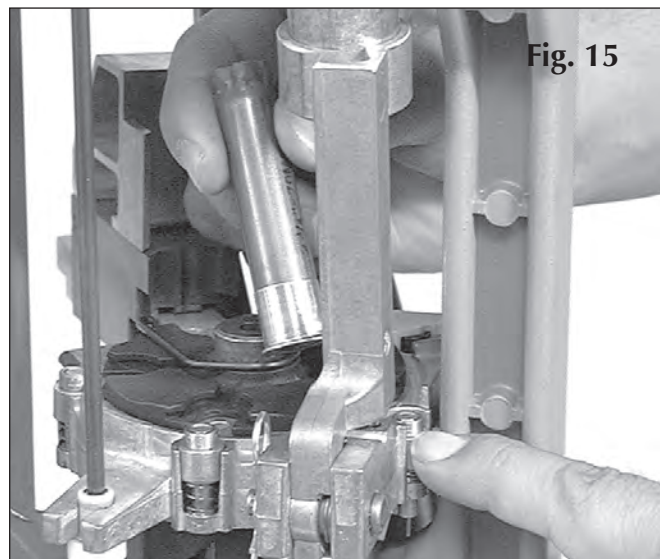
8. Use a once-fired hull, place the hull in Station 2 where the powder measure is located. **Fig. 14**



**Fig. 14**

9. Move the roller handle down and then back up to its rest position. Remove the hull from the shellplate by pressing down on the locator button.

**Fig. 15** Pour the powder back into the clear powder hopper.



**Fig. 15**

10. Repeat these two steps a minimum of four times to make sure you are receiving a uniform powder charge.

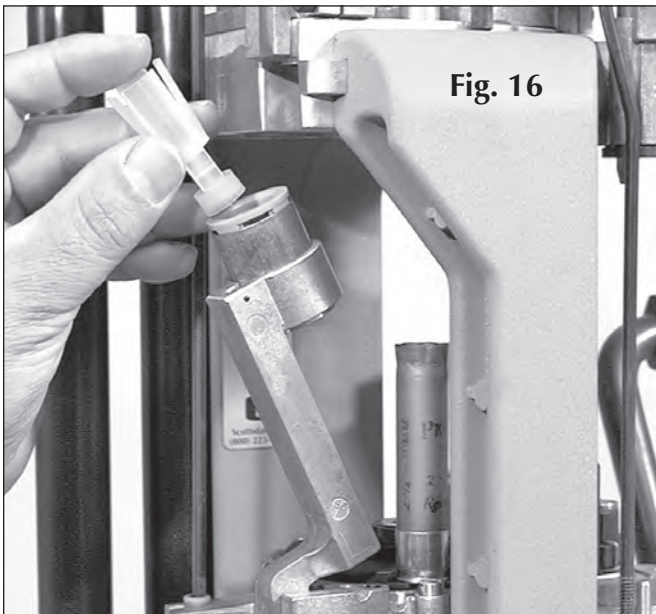
11. Weigh the fifth powder charge.

12. Adjust as needed.

13. Now that you have determined the powder charge, move to Station 3 for wad and shot insertion.

14. Get a supply of wads.

15. Use the same hull with powder in it. At Station three, insert the wad into the wad swing arm and move the roller handle down. **Fig. 16**



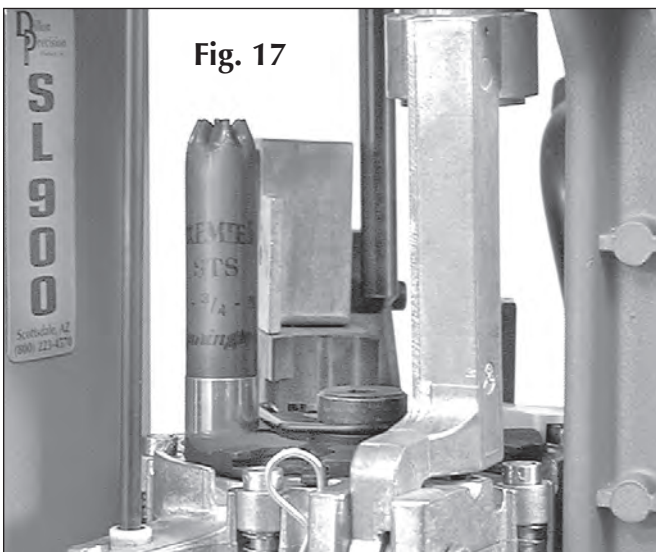
16. Return the roller handle to its rest position and remove the hull from the shellplate by pressing down on the locator button. Pour the shot back into the shot hopper.

17. Repeat these steps 4 times to make sure you are receiving a uniform shot charge.

18. Weigh the fifth shot charge. Adjust as needed to the desired weight.

At Stations 4 and 5, the starter crimp die and final seat/crimp functions are performed.

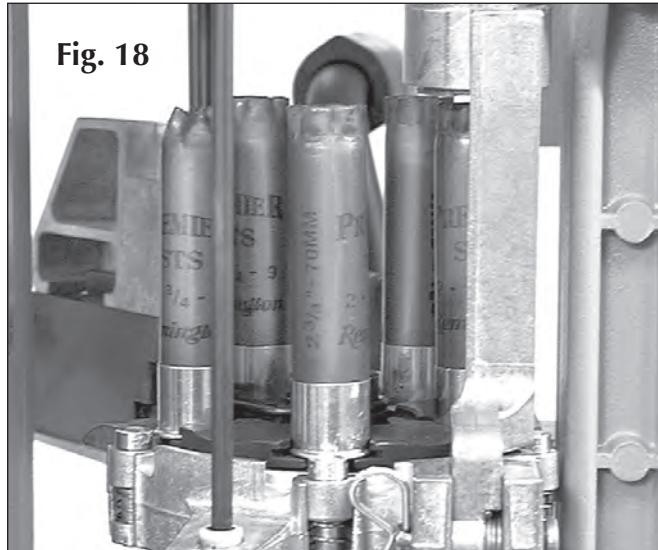
19. Using the same hull with shot in it in Station 4, move the roller handle down and then back to its rest position, the formed and folded hull has just completed Station 4 and has advanced to Station 5. **Fig. 17**



20. Once again, move the roller handle down. As you return the roller handle to its rest position, you'll see the completed round advance and move out of the machine.

21. Inspect the completed round.

22. Before you begin reloading, review all assemblies to assure yourself that all the screws you touched are tight. You are now ready to begin your reloading session.



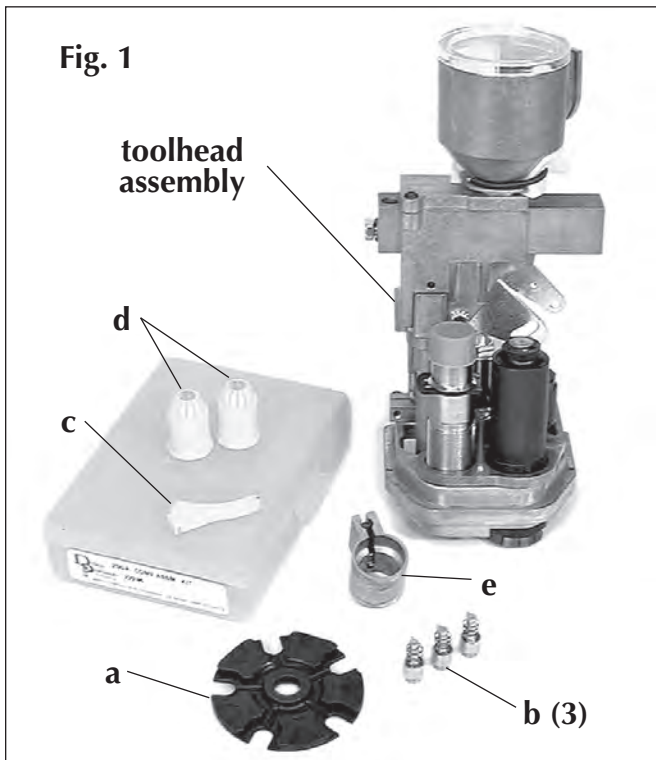
Once you've started loading, **Fig. 18** shows a full shellplate with all functions performed.



## 20 Gauge Conversion Instructions

A 20 gauge conversion package (#22138), includes the following items:

1.) A complete toolhead assembly with dies installed; Station 1, collet sizer & depriming pin assembly. Station 2, powder die with 20 gauge powder funnel and retaining clip. Station 3, complete shot dispenser assembly with 1/2 oz – 1.0 oz shot bar and 20 gauge shot drop tube. Station 4, starter crimp star/radius form insert. Station 5, new spring/over floating taper crimp die.

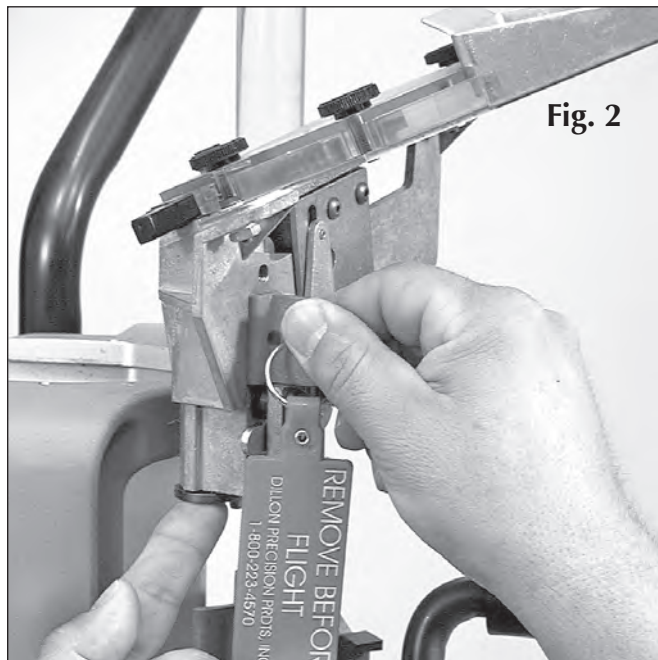


2.) A 20 gauge conversion kit box containing: (a) one 20 gauge shellplate (#10612), (b) three locator buttons (#16753) with locator rings (#10602) and springs (#17126), (c) one yellow station 2 locator insert (#10603), (d) two yellow wad guides (1 spare - #10610), (e) one 20 gauge casefeed sleeve assembly (#22128). **Fig. 1**

### Converting the Machine

The following is a step by step routine to use for converting your machine to reload other gauges. Refer to your SL 900 reloading manual as needed.

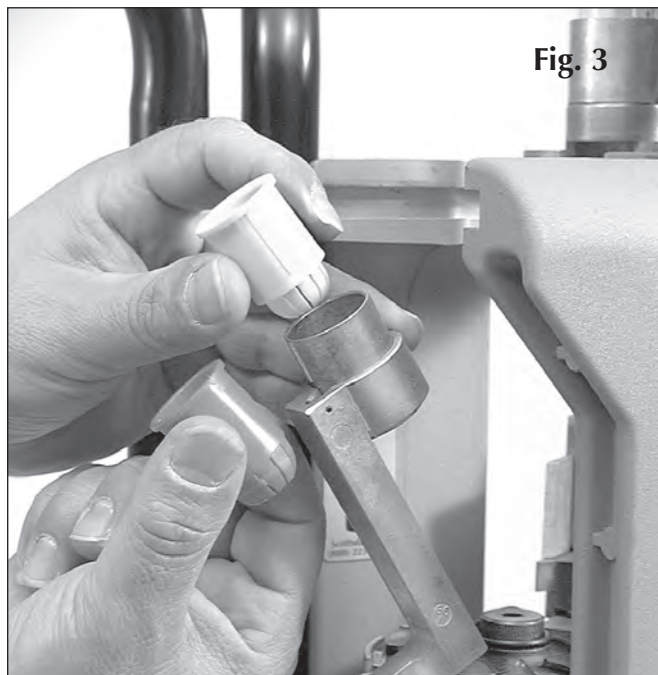
1. Drain the shot via the shot dispenser drain. Hint, use an old coffee can, widemouth water jug or shot bag to catch the shot.
2. Disconnect the return rods on both the shot and powder dispensers.
3. Remove the shot fitting e-clip on the shot dispenser and slide the fitting out of the dispenser housing.
4. Remove the two black toolhead pins and remove the toolhead from the machine.



5. Install the red flag block into the primer feed assembly. **Fig. 2**

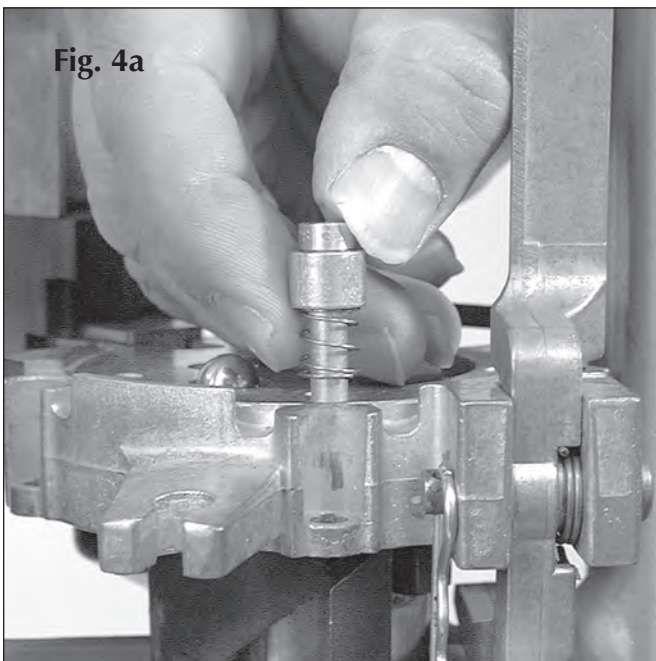
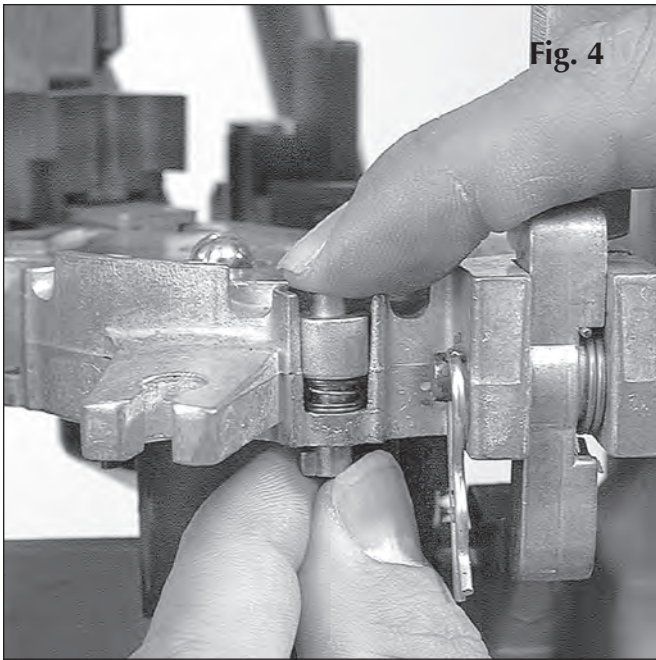
### Replacing the Shellplate and Parts in the Platform

1. Remove the ejector wire (#16676).
2. Move the roller handle to the down position.
3. Use a 1/8" Allen wrench to loosen the 1/4-28 brass tip set screw 1/2 a turn. The brass tip set screw is located on the left side of the machine, below the platform, in the mainshaft.

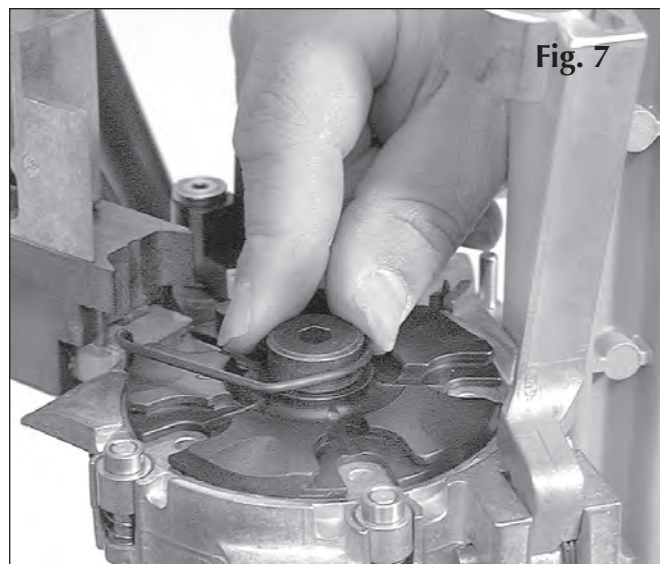
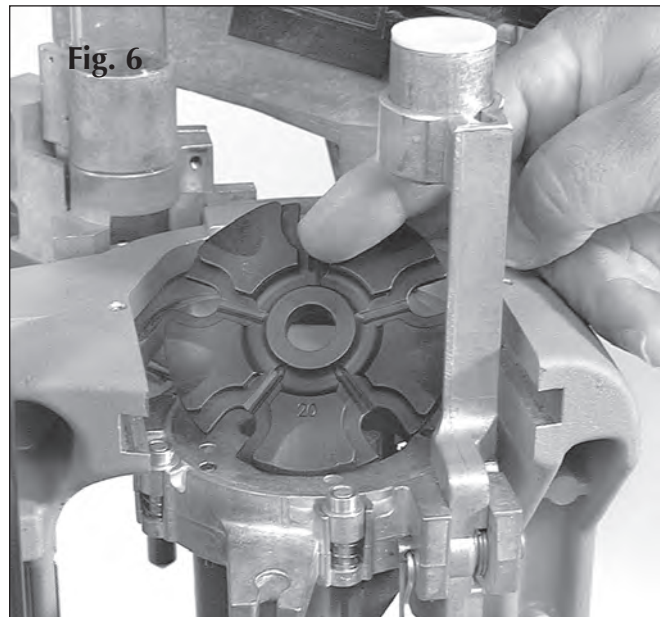
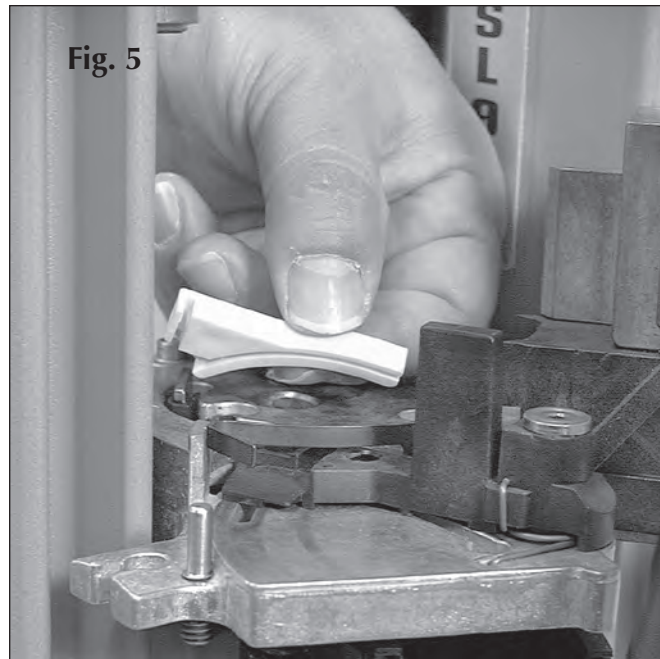


4. While the machine is in this configuration, it is a good time to exchange the red wad guide (12 gauge) with the yellow wad guide (20 gauge). **Fig. 3**

5. Return the roller handle to the up position.
6. Use a 1/4" Allen wrench to unscrew the shellplate bolt.
7. Remove the shellplate from the machine.
8. Change the locator buttons. First, remove the locator buttons by pressing and holding the locator button down. Reach below the platform and rotate the locator button until it snaps free. **Fig. 4** Remove all three locator buttons. Next, retrieve the new locator buttons from the 20 gauge conversion box. Place the spring on the locator button, place it in the platform, press down and rotate as needed to allow the locator button to snap into place. **Fig. 4a**



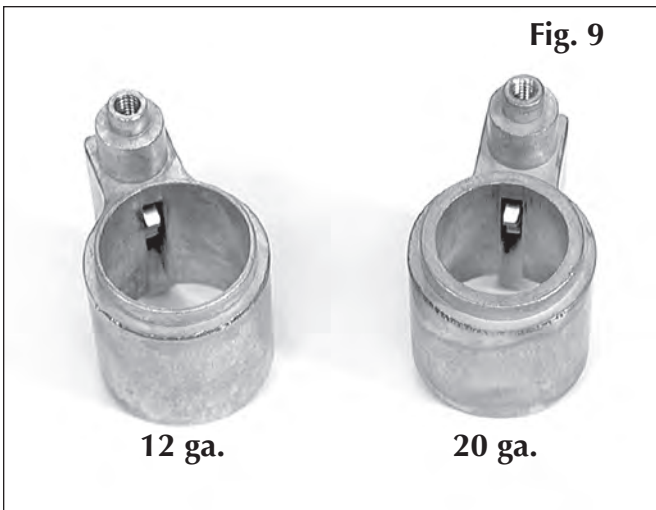
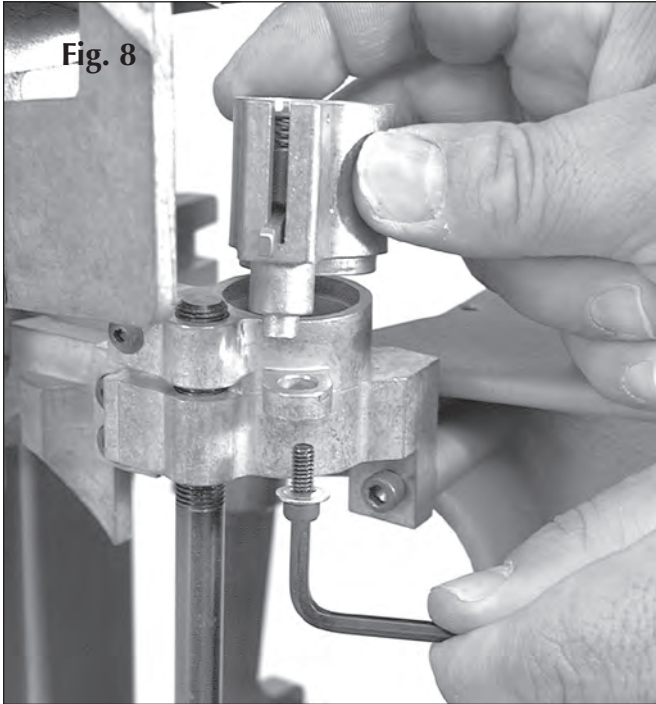
9. At Station 2, place the yellow locator insert (20 gauge) onto the Station 2 locator. **Fig. 5**



10. Move the roller handle to the down position.
11. Place the 20 gauge shellplate on the platform. **Fig. 6**
12. Insert the shellplate bolt. Use a 1/4" Allen wrench to thread the shellplate bolt down until it stops, then loosen no more than 1/4 of a turn.
13. Use a 1/8" Allen wrench to secure the 1/4-28 brass tip set screw. Do not over-tighten
14. Reinstall the ejector wire (#16676). **Fig. 7**
15. Return the roller handle to the up position.

### Casefeed Assembly Conversion (Right-Rear of the Machine)

1. Remove the hulls and the clear casefeed tube from the machine.
2. Use a 9/64" Allen wrench to remove the screw and washer on the casefeed sleeve assembly. Remove the 12 gauge casefeed sleeve off the casefeed body. **Fig. 8**



3. From the 20 gauge conversion box, retrieve the 20 gauge casefeed sleeve, **Fig. 9**, and place it on the casefeed body. Reinstall the screw and washer onto the casefeed sleeve assembly.



4. Remove the 12 gauge disc from the casefeed bowl. **Fig. 10**



5. Both 20 and 28 gauge hulls will use the small gauge disc. **Fig. 11**

5. Install the small gauge disc into the casefeed bowl. Rotate as needed until the motor driveshaft enters the slot in the casefeed disc clutch. **Fig. 12**

6. Reinstall the clear casefeed tube.

7. Test run the assembly by placing 3-5 empty, once-fired hulls into the casefeed bowl and turn the unit on. Once all the hulls have been fed into the clear feed tube, turn the unit off.

8. Move the roller handle up and down until all



Fig. 12

the hulls have cycled through the machine.

### Toolhead Conversion and Final Assembly

1. Slide the 20 gauge toolhead into the frame and insert the two toolhead pins. **Fig. 13**

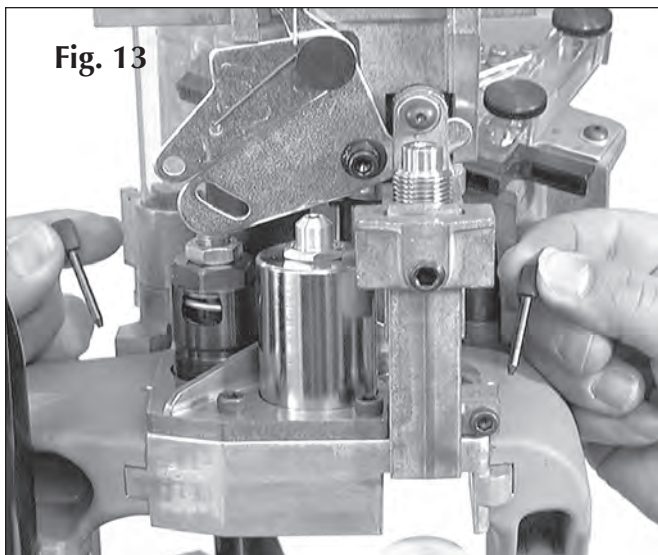


Fig. 13

2. Install the powder measure; loosen the two clamp screws and place the powder measure on the powder die. Press the clamp forward into the groove in the powder die and secure the two clamp screws using a 5/32" Allen wrench.

3. Install both return rods onto the shot dispenser and the powder measure.

4. Realign the shot hopper tube fitting with the shot dispenser. Insert the fitting and the e-clip into the dispenser top.

5. Cycle the roller handle two complete cycles to insure everything is free to move.

6. Fill the shot dispenser with one cup of shot.

7. Remove the lid on the powder measure and fill with your powder of choice.

8. Use a once-fired hull, place the hull in Station 2 where the powder measure is located. **Fig. 14**



Fig. 14

9. Move the roller handle down and then back up to its rest position. Remove the hull from the shellplate by pressing down on the locator button. **Fig. 15** Pour the powder back into the clear powder hopper.

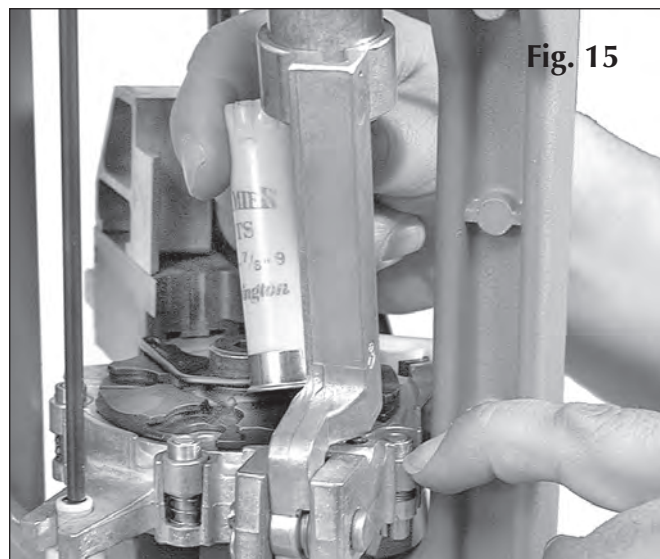


Fig. 15

10. Repeat these two steps a minimum of four times to make sure you are receiving a uniform powder charge.

11. Weigh the fifth powder charge.

12. Adjust as needed.

13. Now that you have determined the powder charge, move to Station 3 for wad and shot insertion.

14. Get a supply of wads.

15. Use the same hull with powder in it. At Station three, insert the wad into the wad swing arm and move the roller handle down. **Fig. 16**

16. Return the roller handle to its rest position and remove the hull from the shellplate by pressing down on the locator button. Pour the shot back into the shot hopper.

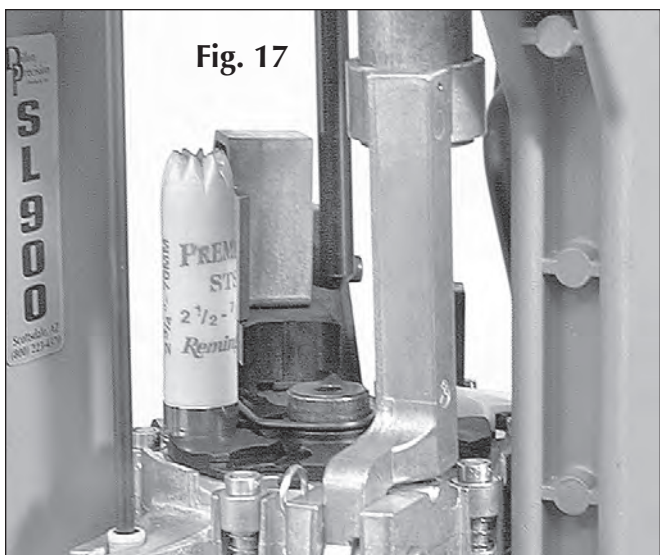


**Fig. 16**

17. Repeat these steps 4 times to make sure you are receiving a uniform shot charge.

18. Weigh the fifth shot charge. Adjust as needed to the desired weight.

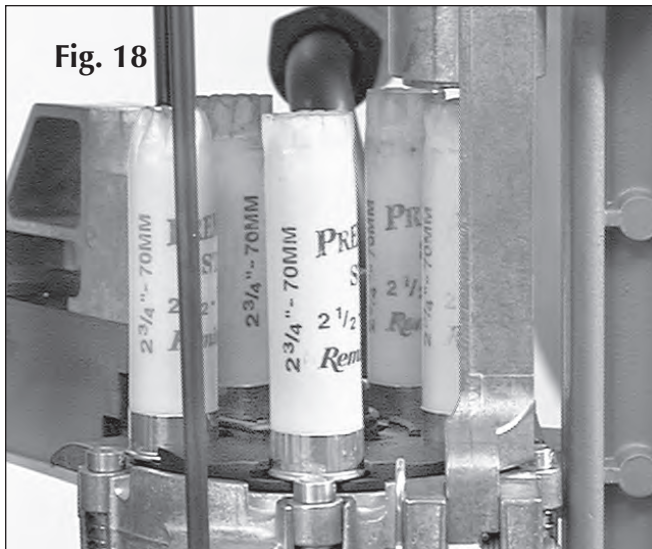
At Stations 4 and 5, the starter crimp die and final seat/crimp functions are performed.



**Fig. 17**

19. Using the same hull with shot in it in Station 4, move the roller handle down and then back to its rest position, the formed and folded hull has just completed Station 4 and has advanced to Station 5.

**Fig. 17**



**Fig. 18**

20. Once again, move the roller handle down. As you return the roller handle to its rest position, you'll see the completed round advance and move out of the machine.

21. Inspect the completed round.

22. Before you begin reloading, review all assemblies to assure yourself that all the screws you touched are tight. You are now ready to begin your reloading session.

Once you've started loading, **Fig. 18** shows a full shellplate with all functions performed.

## Troubleshooting

### Troubleshooting Section #1, Primer System

1. *I broke my primer transfer arm (#16691).* This happens when a new primer is only partially seated into the shotshell. A spare is included with the machine, but **it's important that you make complete, full strokes of the operating handle when using the SL 900. See Illustrations 1 & 2**

2. *A primer is laying sideways inside the clear cover of the primer tray. How do I remove it?* Shotshell Primers are steel – get a small magnet, screw-driver or pointer and use it to get that primer out. Dillon also provides a magnetic pick-up wand (#22292) as an accessory for the SL900.

Another method available is to simply unscrew the black knobs that secure the cover, slide the clear cover off, and remove all the primers. Reassemble the parts, then refill the primer tray with primers.

3. *From time to time I notice that a new primer lands on the platform rather than into the hole in the primer transfer arm. Why?* Two things may be occurring here: First, the speed in which you operate the handle affects the feeding of new primers. As the new primer is dispensed from the primer tray, it takes a fraction of a second to fall through the tube and into the hole in the primer transfer arm. When you reach the bottom of the handle's stroke, pause for a second, then move the handle again. Always pace yourself when operating your machine.

Second, you always get a new primer with every complete stroke of the machine's handle. If there isn't a shotshell in station two to receive the primer, that primer will be left on the platform.

4. A dirty primer tray can be annoying. If you reload in a dusty environment (for instance, a barn or garage) or the shotshells you have are dirty, over time dust will collect on the primer tray. We've made the primer tray stainless steel so you can clean it with windex or alcohol. Just remove the clear cover and wipe it clean. Our machine cover was designed to help keep your loader clean when you're not using it. Ask for part #13329.

5. *Where does the grease go again?* See page 37 in the manual, also make sure your hands are grease-free when handling new primers; they don't feed well in any machine when they're greasy.

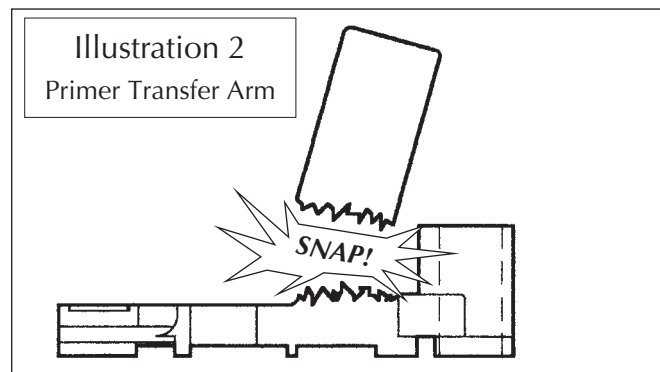
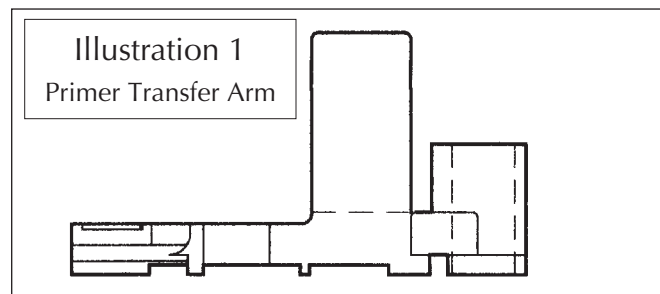
6. *How do I stop the primers from feeding?* A rectangular insert has been included with the machine. Place your thumb on the primer drop tube and raise the primer system by pushing it up. Insert the stop block BETWEEN the primer feed body and the tray mounting bracket. Remove the stop block when you're ready to begin reloading again.

7. *When I operate the machine, it doesn't always drop a primer.* An adjustment screw (#17639, see the schematic on page 13) is located in the platform. This screw increases or reduces the stroke of the black

primer slide located on the primer tray via the primer drop tube. If the primer moves over the hole but it does not drop thru, turn the adjustment screw counterclockwise to raise the primer drop tube and the black primer slide will stroke more and then the primer will drop thru the hole.

The adjustment screw (#17639) may periodically go out of adjustment. Remove the screw and clean the threads and the hole in the platform with alcohol. Apply some blue Loctite to the threads and reinstall.

8. *Why do I get high primers when using Winchester primers and Remington hulls, but not when using Remington hulls and primers?* The new silver colored Winchester primers appear to be .002 diameter larger than the previous copper colored primers at the point just above the flange. We suggest using a bit more forward push on the operating handle when seating the primer or switching to Remington primers for Remington hulls.



### Illustrations 1 & 2

Inside your parts bag you will find an extra primer transfer arm, #16691, **see illustration 1**. While every effort has been made to manufacture a sound machine for you, **it's important that you make complete, full strokes of the operating handle when using the SL 900**. Assure yourself that the primer is fully seated into the shotshell. We've found that the primer transfer arm WILL break if the primer is only partially seated into the shotshell. Never force the handle when a jam occurs, instead, slowly return the handle to its rest position. When the shotshells appear out of the bottom of the dies, remove the suspect shotshell from the priming station. Once you have

removed the suspect shotshell, complete the stroke of the handle you started.

### Troubleshooting Section #2, Casefeeder

1. General casefeeder information: Capacity is 80 shotshells. Electric motor information: 110V AC for US customers and 220V AC (3 RPM) for European customers.

2. *The shotshells jam in the clear funnel.* Always check the shotshells to make sure that no flattened or stepped on shotshells get into the casefeeder. Suggestion: Use the clear feed tube to gauge any shotshell to make sure that it can slide through the tube before placing it in the casefeeder bowl.

3. *It looks like half of a shotshell is hanging out of the bottom of the casefeed body.* A shotshell can jam in the casefeed body if the mouth of the shotshell is so deformed that it gets stuck on the casefeed phish inside the casefeed body. Simply remove the shotshell by pulling it out.

4. *I have noticed that the microswitch does not shut the motor off.* The microswitch uses the pressure of the shotshell against the aluminum arm on the switch to turn the motor off. You can bend the aluminum arm as needed to assure that the switch is activated.

### Troubleshooting Section #3, General

1. **It's important that you make complete, full strokes of the operating handle when using the SL 900.**

2. **Never use any solvent-type lubricants such as Brakefree or WD-40. These will cause the mainshaft to seize in the main bore.**

3. *When I operate the machine, some shotshells get stuck and strike the mouth of the sizing die.* The shotshells may have a deformed rim or base. Throw the bad shotshells away.

Another possible cause is that a shot pellet may have fallen into the pocket area, stopping the shotshell from feeding in to the shellplate. Inspect the shellplate grooves for any smashed shot or other debris.

4. *The operating handle stopped halfway through its stroke.* The first thing to do when this occurs is to tap every shotshell. See if you can feel which one is in a bind. It may be that the primer is not fully seated into the shotshell. **It's important that you make complete, full strokes of the operating handle when using the SL 900.**

It may be that the first shotshell has struck the mouth of the sizing die, or a wad or smaller gauge shotshell is stuck inside the first shotshell and has jammed itself onto the depriming pin. Or it may be that a wad has not entered the shotshell properly and is caught on the mouth of the shotshell.

Whatever the cause, remove the suspect round by lowering the shotshells out of the dies, then remove the problem round from the machine.

5. *I'm not sure if the powder charge is correct.* Always use a reputable loading manual. The powder bar does not come set from the factory. You must use a scale to adjust the weight of the powder charge being dispensed. The machine manual has detailed instructions on how to set up the powder measure.

6. *When I use the machine some of the wad petals get caught and fold beneath the shot tube.* Then a spill might occur because the shot is too high in the shotshell. Always inspect the wads before you place them into the wad seater. You can use your thumb to press the petals open, then insert the wad into the wad seater.

7. *How do I remove that last amount of shot from the shot bar?* When all the shot has been drained out of the large hopper, place a plastic container or coffee can next to the shot dispenser drain. Rotate the plastic shot drain with your index finger and hold it there until all the shot has emptied. Any remaining shot in the shot bar (#16738) and dispenser can be removed by running a hull through the machine.

8. *When I cycle the handle the wad swing arm hits the edge of the toolhead as it tries to go thru the hole.* We have placed an adjustment set screw below the foot of the wad swing arm inside the platform (#13789, see the schematic on page 10). Using a 1/8" Allen wrench turn the screw as needed to center the wad swing arm in the hole it passes thru in the toolhead.

9. The shot dispenser and the powder systems use a 10-32 thread kep nut (#13817). These nuts may become loose over time and should be replaced with Nylock nuts (#13841).

10. The shot dispensing tube (#17479) is designed to flex during operation. Do not shorten the tube for any reason or it will no longer function as it was designed to.

**NOTE:** All electrical/electronic components in Dillon equipment are covered by a one year warranty.

## Technical Support

### 1-800-223-4570

## Lube Points on the SL 900 Machine: Fig. 82 & Fig. 83

A.) Mainshaft: The most important lube point of all. Use 30w motor oil to lube the mainshaft (#13485).

Use grease on the following items:

B.) Mainshaft Pivot Pin (#13830)

C.) Link Arm Cross Pins (one hole in the frame and two in the crank)

D.) Shellplate Bolt Hole

E.) Case Insert Slide Arm/Ramp

F.) Wad Sleeve

G.) Wad Swing Arm Pivot Hole

H.) Powder Body Collar (rails, hole and roller, bellcrank)

I.) Lock Link (#16730)

J.) Around the Collet Sizer Sleeve (#16742)

K.) On the Ring Indexer and Indexer Block

L.) A very light amount on the surface of the Primer Drop Tube

M.) Primer Feed Body Rails

N.) The Main Pivot Hole in all Bellcranks

O.) Primer Feed Cam (#16717), Cam Slot

P.) 1/4" Diameter Alignment Post

Fig. 82 - Right view.

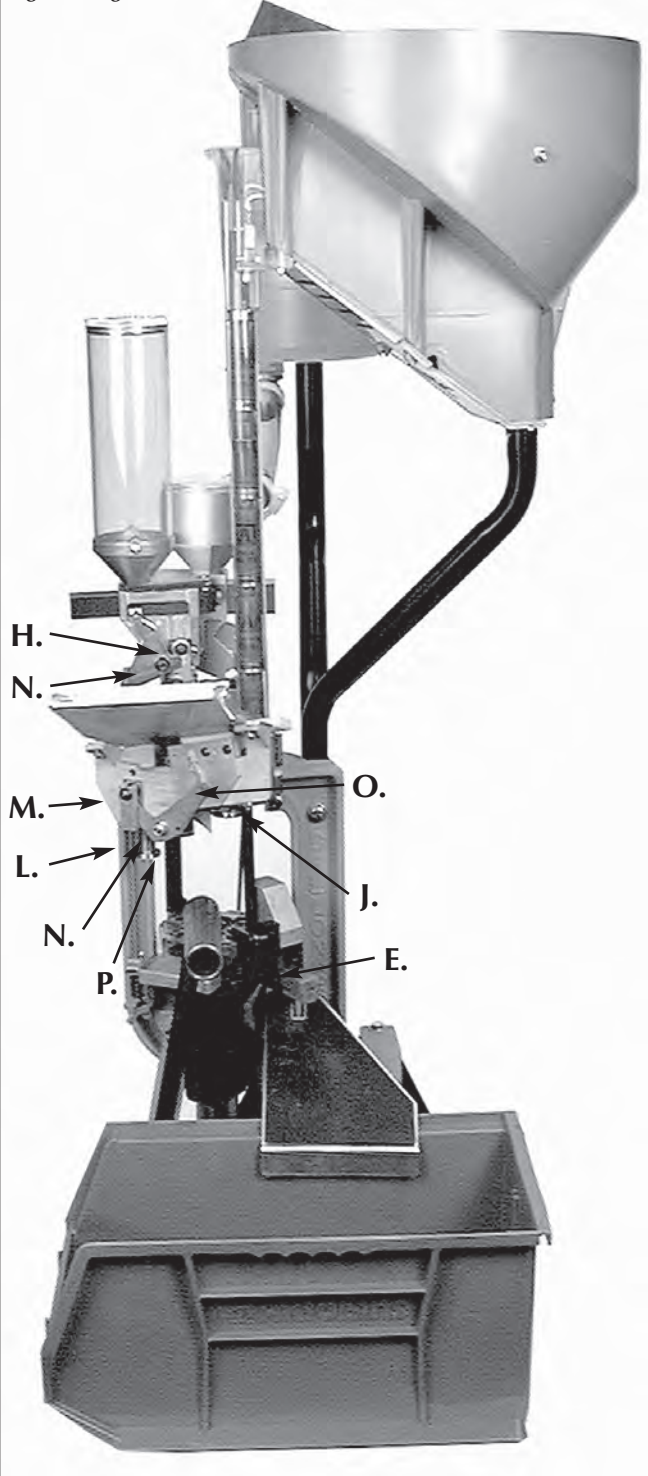
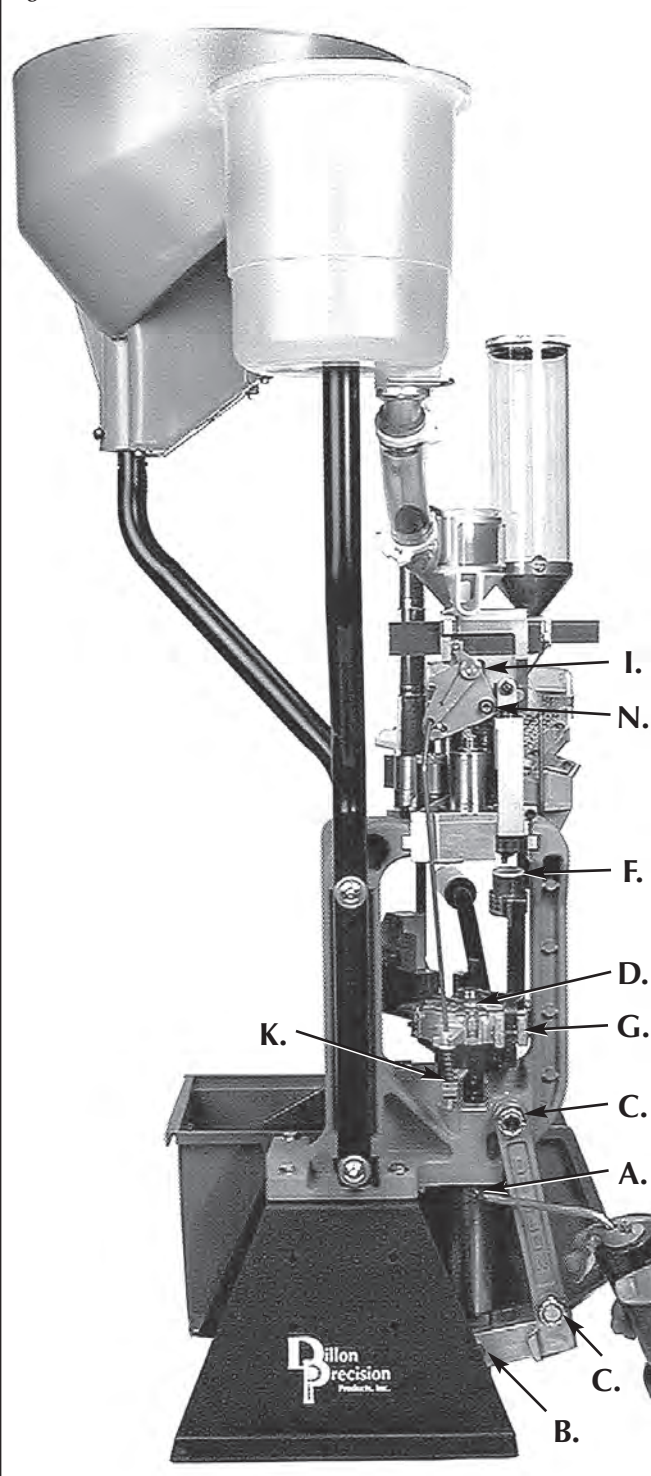


Fig. 83 - Left view.





## Suggested Settings

Here are some helpful adjustment settings for the SL 900 Shotgun Loader. These settings illustrate ideal adjustments for the starter crimp and the final crimp die. These settings can also be used to reset these dies if you get completely out of adjustment.

### Station 4, Starter Crimp Die

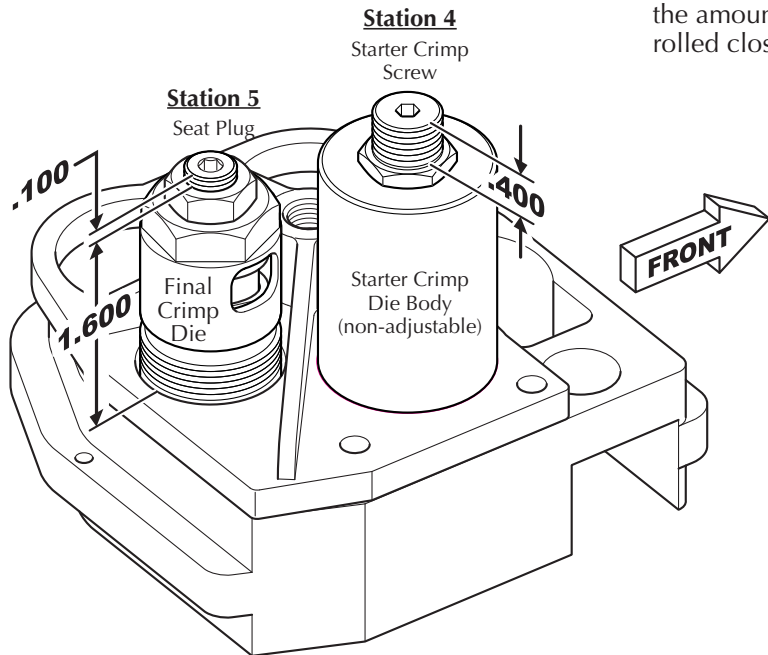
Use dial calipers when measuring these dimensions.

When you turn the starter crimp screw clockwise (down), you are increasing the amount of plastic that will be folded or rolled closed.

When you turn the starter crimp screw counterclockwise (up), you are decreasing the amount of plastic that will be folded or rolled closed.

### Station 5, Final Crimp Die

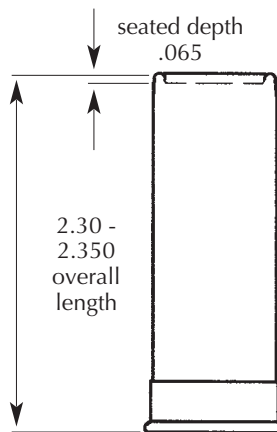
Use dial calipers when measuring these dimensions. See the bottom of this page for additional adjustments.



Two adjustments are available here on the final crimp die. Example, if some of the reloads you have just finished appear shallow as shown here (also on page 17 of the manual), then turn the seat plug clockwise (down), using 1/4 turn increments.

**Or**, you can turn the whole die clockwise (down) using 1/4 turn increments. You will then see the next reload with more taper on its end and the seated depth will be deeper.

Another example relating to the final crimp die adjustment when reloading different shotshells: "When I have made some reloads, some of the shotshells have buckled in the middle, but it doesn't happen all the time." You will need to raise the whole die by turning the assembly counterclockwise (up) at least 1/4 to 1/2 a turn.



## On the cover...

The SL 900 is pictured with optional accessories:

Low Powder Sensor #16306

Aluminum Roller Handle #17950

Other accessories available for the SL 900 include:

12 gauge conversion #22009

20 gauge conversion #22138

28 gauge conversion #22139

20/28 casefeed plate #97045

Machine Cover #13329

The **Blue Press**, Dillon's monthly catalog, has a complete listing of accessories available for all machines.

---

## Dillon Precision Products, Inc.

8009 E. Dillon's Way

Scottsdale, AZ 85260

(480) 948-8009

FAX (480) 998-2786

Web Site: [www.dillonprecision.com](http://www.dillonprecision.com)

E-mail: [dillon@dillonprecision.com](mailto:dillon@dillonprecision.com)

**Technical Support & Customer Service**

**(800) 223-4570**

